



GSA prices effective April 2, 2018
(based on February 6, 2017, commercial price list)
Published August 2018

Laboratory Furniture Co/Struc® System

General Services Administration Federal Supply Service Authorized Federal Supply Schedule Price List

Online access to contract ordering information, terms and conditions, up-to-date pricing, and the option to create an electronic delivery order is available through GSA Advantage!, a menu-driven database system. The Internet address for GSA Advantage! is www.gsaadvantage.gov. For more information on ordering from Federal Supply Schedules, click on the FSS Schedules button at www.fss.gsa.gov.

FSC Group 66, Part II, Section N
FSC Classes 6640
Contract Number: GS-07F-5623R
Contract Period: February 1, 2015, through January 31, 2020

Herman Miller, Inc.
855 East Main Avenue
Zeeland, Michigan 49464
(616) 654 3000 Phone
(616) 654 8278 Fax
HermanMiller.com/government

Business Size: Large

Contract Information

1a. Special Item Numbers (SIN)

566-1: Modular Laboratory Furniture Systems, all product except non-modular Laboratory Tables, see 566-2 below.

566-2: Individual non-modular Laboratory Tables (C4115. and C4215.).

566-5: Workstation Design/Installation option. Including:

Workstation Design/Layout Option: Includes the design/redesign of lab furniture. Design service will be provided by Herman Miller, Inc., or its participating dealer based on a fee of \$65 per hour.

Workstation Furniture and Equipment Installation: Includes delivery coordination of furniture and related equipment, unpacking, inspection, inventory and assembly of furniture components. Pricing shall be negotiated on a project-by-project basis.

Workstation Disassembly and Reinstallation Option: Includes the taking down of installed furniture and related hardware for the purpose of packing and moving or storage. Pricing shall be negotiated on a project-by-project basis.

Workstation Repair: Includes the repair and/or replacement of damaged furniture and related hardware. Pricing shall be negotiated on a project-by-project basis.

1b. Lowest Price Model:

566-1 = C1315.06 \$19.00

566-2 = C4700.2436L \$229.00

1c. Not applicable.

2. **Maximum Order.** \$400,000 net product value.

3. **Minimum Order.** \$50 net.

4. **Geographic Coverage.** 48 contiguous states and District of Columbia. Other geographic locations see box below.

5. **Production Points.** Zeeland, Michigan, County of Ottawa.

6. **Pricing.** Prices shown are list. To calculate contract prices, deduct 58.5%.

7. **Quantity Discounts.** Reference item #6.

8. **Payment Terms.** Net 30 days.

9a. **Government Purchase Cards.** ARE accepted below the micropurchase threshold.

9b. **Government Purchase Cards.** ARE accepted above the micropurchase threshold.

10. **Foreign Items.** Not applicable.

11a. **Time of Delivery.** 56 days ARO.

11b. **Expedited Delivery.** Select items may be available for expedited delivery. Contact Herman Miller, Inc., or local authorized dealer for availability.

11c. **Overnight and 2-Day Delivery.** Select items may be available for overnight or 2-day delivery. Contact Herman Miller, Inc., or local authorized dealer for availability.

11d. **Urgent Requirements.** Select items may be available for urgent delivery. Contact Herman Miller, Inc., or local authorized dealer for availability.

12. **F.O.B. Point.** Destination within the 48 contiguous states and Dist. of Columbia.

13a. **Order Address.** Herman Miller, Inc., Government Customer Care 0161, 855 East Main Avenue, Zeeland, MI 49464.

13b. **Order Procedures.** For supplies and services, the ordering procedures, information on Blanket Purchase Agreements (BPA's), and a sample BPA can be found at the GSA/FSS Schedule home page (www.fss.gsa.gov/schedules).

14. **Payment Address.** Herman Miller, Inc., 22764 Network Place, Chicago, IL 60673-1227.

15. **Warranty Provisions.** Herman Miller, Inc., commercial warranty applies.

16. **Export Packing Charges.** Prices supplied on request.

17. **Terms and Conditions of Government Commercial Credit Card Acceptance.** None.

18. **Terms and Conditions of Rental, Maintenance, and Repair.** Not applicable.

19. **Terms and Conditions of Installation.** Installation services shall be negotiated between ordering agency and Herman Miller local authorized dealer.

20. **Terms and Conditions of Repair Parts.** Not applicable.

20a. **Terms and Conditions for Any Other Services.** Services shall be negotiated between ordering agency and Herman Miller local authorized dealer.

21. **List of Service and Distribution Points.** Access Herman Miller web site for current list of participating dealers: www.HermanMiller.com.

22. **List of Participating Dealers.** Access Herman Miller web site for current list of participating dealers: www.HermanMiller.com.

23. **Preventive Maintenance.** Not applicable.

24. **Special Attributes.** Reconfigurable, renewable.

25. **DUNS Number.** 006012801

26. **Registered in Central Contractor Registration (CCR) Database.**
"Herman Miller, Inc."

Herman Miller Miscellaneous Information:

Federal ID Number: 38-0837640

Commercial and Government Entity Code (CAGE): 40636

Introduction	page 2
Co/Struc® System	3
Structure	5
Work Surfaces	74
Storage	119
Transport	222
Indices	229
By Name	229
By Number	231
Appendices	
20-Day or Less/Assigned Lead-Time Order Information - Healthcare	
Packaging/Keyed-Alike Information-Co/Struc System	
For the latest materials information, refer to the Materials pages on HermanMiller.com.	

Introduction

A Note on the Organization of This Book

There are a few signals that will help you understand the organization of this book. Once you know them, you should be able to find your way around easily.

Like a newspaper, this book is formatted with columns of text and illustrations that run vertically.

Information wraps from one column to the next and continues for as many pages as it needs to.

Black bars are clues.

A black bar at the top of a page signals the start of information about a product.

This information is divided into two sections, each signaled by a black bar. Product Information includes a description, additional notes, and dimensional drawings. Specification Information, which always begins at the top of a column, includes a series of steps. Each step represents a decision you need to make in order to complete your product number. Steps must be followed sequentially. The number of pages needed to complete information on a product varies; some will be complete in one page; others may fill three or four pages. Just continue going through the steps until you run into the next product, signaled by the black bar at the top of the page.

Black tabs running along the outside edge of the page help you locate what section you are in or what section you want to go to. You can thumb forwards or backwards to find a section; tabs and text appear on both sides of the page.

The additional pages in the back of the book include the appendices and indices. They are signaled by a long black bar running along the outside edge of the page.

The index is presented two ways.

The first index is in alphabetical order by product name. It can be helpful if you are new to the products and numbering scheme or if you are looking for a type of product, such as work chair or round table.

The second index is by product number. It lists, in alphanumeric order, the base product number, typically a five-digit number.

General Information

This book is effective April 2, 2018, subject to change without notice. Products may be purchased from authorized Herman Miller dealers who will quote prices upon request. For more information about our products and services or to see a list of dealers, visit www.HermanMiller.com.


All prices are list prices. Additional services, such as planning services, design, storage, and installation, are not included and must be added to these prices when the additional services are requested.


Illustrations, specifications, and prices are based on the latest information at the time of publication. The right is reserved to make changes at any time without notice in prices, fabrics, finishes, materials, specifications, and models, and also to discontinue models and finishes.

Dimensions shown in the drawings are engineering drawing dimensions rounded up to the nearest $\frac{1}{8}$ ". Product is shipped set up or knocked down. Products that include "Shipped knocked down" in the description require some assembly. If this statement does not appear in the description, the product is shipped assembled.

Service problems are normally handled by a Herman Miller authorized dealer. Where this cannot be accomplished on a local level, service problems should be referred to the Customer Care Representative for your region, Herman Miller, Inc., Zeeland, Michigan 49464.

20-Day or Less/Assigned Lead-Time Shipments

All products and options in this price book not designated by an Assigned Program icon  will ship in **20 business days or less** after being acknowledged by Herman Miller.

Products and options designated by an  are on the assigned lead-time program and may ship in 20 days, less than 20 days, or more than 20 days from order acknowledgement.

Structure

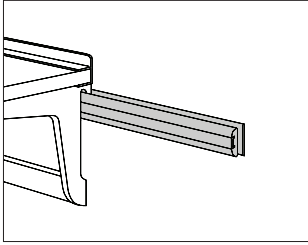
Work Surfaces

Storage

Transport

Standard Rail

CO282



Product Information

Description

This assembly attaches to a wall and supports Co/Struc hanging components. It includes a 12' rail, a 12' cover strip, a 12' back plate, 25 stand-offs, and 5 spacers.

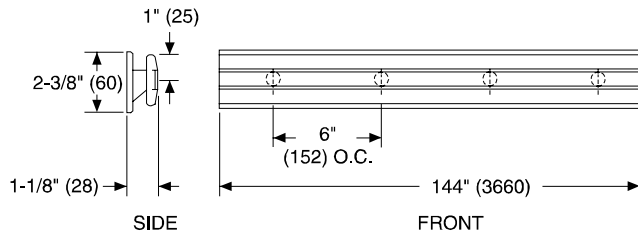
Notes

To attach assembly to wall, order rail hardware (CO28441, or CO28541) separately.

To finish end, order end cap for standard or seismic rail (CO338) separately.

When seismic components are required, order seismic wall rail (CO479) instead of standard rail (CO282).

Dimensions



Specification Information

Step 1.

CO282FF \$266

Step 2. Surface Finish

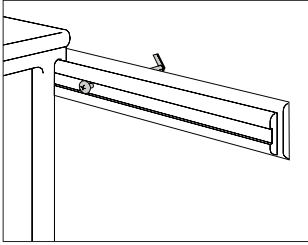
HF	inner tone light	+\$0
LT	light tone	+\$0
LU	soft white	+\$0
WN	warm grey neutral	+\$0

Co/Struc® Structure

Rail Hardware

C0284

C0285



Co/Struc® Structure

Product Information

Description

This package contains enough fasteners to install 12' of standard rail.

Package contains 300 fastener sets.

The 3" sheet metal screws with plastic anchors are #14, flat-head, Phillips-drive screws with 1³/₈"-long plastic anchors. The 4" toggle bolts with wall bushings are 1/4"-20, flat-head, Phillips-drive toggle bolts.

Specification Information

Step 1.

C028

Step 2. Hardware

441 3" sheet metal screws with plastic anchors

541 4" toggle bolts with wall bushings

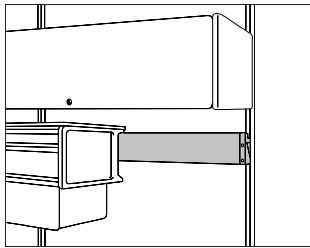
Prices for Steps 1-2.

C028441 \$222

C028541 \$650

Adapter Rail

C1610.

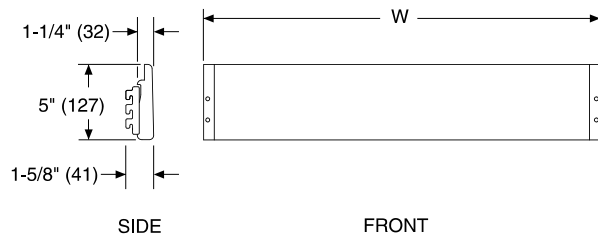


Product Information

Description

This rail attaches to a panel, a module, or wall strips to support Co/Struc hanging components or a storage case in a straight-line configuration. It does not hang directly on a wall. 2 rails are required to hang a locker from an open panel frame or glazed panel.

Dimensions



Specification Information

Step 1.

C1610.

Step 2. Width

24	24" wide
30	30" wide
36	36" wide
42	42" wide
48	48" wide
60	60" wide

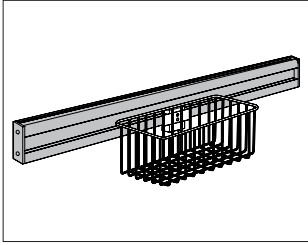
Prices for Steps 1-2.

C1610. 24	\$184
30	\$191
36	\$199
42	\$219
48	\$233
60	\$250

Step 3. Surface Finish

HF	inner tone light	+\$0
LT	light tone	+\$0
LU	soft white	+\$0
WN	warm grey neutral	+\$0

Equipment Rail, Wall Mounted C1170.



Co/Struc® Structure

Product Information

Description
 This aluminum rail attaches to an architectural wall. It holds work tools or accessories and can be field cut to the appropriate width. The rail includes plastic end caps to accommodate 2 field-cut rail sections.

Notes

Customer must supply attachment hardware for wall conditions.
 Order rail-mounted accessories separately:

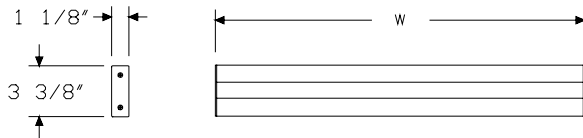
- Chart holder (CT730.)
- Chest tube rack (CT737.)
- Glove box holder (CT726.)
- Sharps container holder (CT734.)
- Supply basket (CT720. or CT722.)
- Suture basket (CT723.)
- Tilt-out storage bin (CT9303., CT9304., CT9305., CT9306.)
- Utility hook (CT776.)
- Wastebasket and holder (CT728.)

Order work tools separately:

- Arch (Y7150.)
- Diagonal tray (Y7218.)
- Mini-shelf (Y7310.)
- Organizer tray (Y7210.)
- Paper tray (Y7216.)
- Rail divider (Y7320.)
- Vertical tray (Y7217.)

To mount customer-supplied accessories, order rail clamp (CT729.) separately.

Dimensions



Specification Information

Step 1.
C1170.

Step 2. Width

24	24" wide
30	30" wide
36	36" wide
42	42" wide
48	48" wide
60	60" wide

Prices for Steps 1-2.

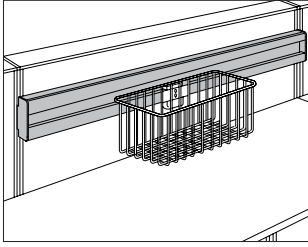
C1170. 24	\$91
30	\$110
36	\$126
42	\$136
48	\$148
60	\$169

Step 3. End Cap Finish

LU	soft white	+\$0
WN	warm grey neutral	+\$0

Equipment Rail, Systems Mounted

C1172.



Product Information

Description

This aluminum rail attaches to a panel, freestanding module, or wall strips and holds work tools or accessories. It includes steel end caps. Attachment hardware is included.

Notes

Order rail-mounted accessories separately:

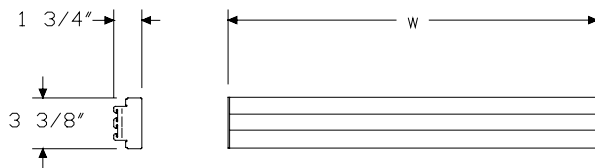
- Chart holder (CT730.)
- Chest tube rack (CT737.)
- Glove box holder (CT726.)
- Sharps container holder (CT734.)
- Supply basket (CT720. or CT722.)
- Suture basket (CT723.)
- Tilt-out storage bin (CT9303., CT9304., CT9305., CT9306.)
- Utility hook (CT776.)
- Wastebasket and holder (CT728.)

Order work tools separately:

- Arch (Y7150.)
- Diagonal tray (Y7218.)
- Mini-shelf (Y7310.)
- Organizer tray (Y7210.)
- Paper tray (Y7216.)
- Rail divider (Y7320.)
- Vertical tray (Y7217.)

To mount customer-supplied accessories, order rail clamp (CT729.) separately.

Dimensions



Specification Information

Step 1.

C1172.

Step 2. Width

24	24" wide
30	30" wide
36	36" wide
48	48" wide

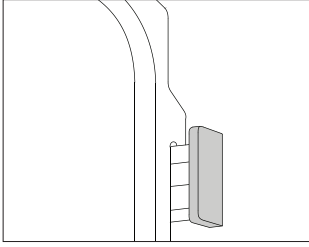
Prices for Steps 1-2.

C1172. 24	\$129
30	\$136
36	\$148
48	\$185

Step 3. End Cap Finish

LU	soft white	+\$0
WN	warm grey neutral	+\$0

End Cap for Standard or Seismic Rail CO338
Rail



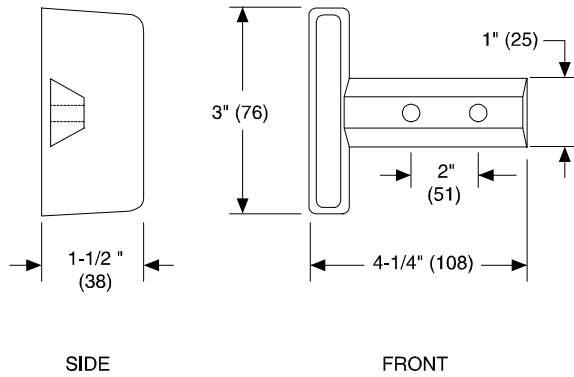
Co/Struc® Structure

Product Information

Description
This end cap provides a finished end for a standard or seismic wall rail and a positive stop for a locker.

Notes
For areas requiring seismic components, order 1 end cap for each end of rail, and order seismic wall rail (CO479) separately.
For areas not requiring seismic components, order 1 end cap for each end of rail, and order standard rail (CO282) separately.

Dimensions

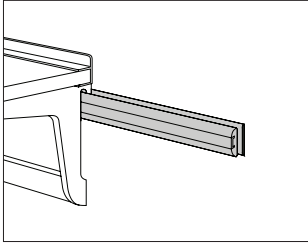


Specification Information

Step 1.
CO338FF \$49

Step 2. Surface Finish

HF	inner tone light	+\$0
LT	light tone	+\$0
LU	soft white	+\$0
WN	warm grey neutral	+\$0



Product Information

Description

This aluminum rail attaches to a wall and supports Co/Struc hanging components. It includes a 12' rail, a 12' cover strip, a 12' back plate, 26 stand-offs, and 5 spacers.

Notes

Order rail for areas requiring seismic components, when attaching to studs 16" on center, or when attaching to plaster in accordance with OPA-0117 in California.

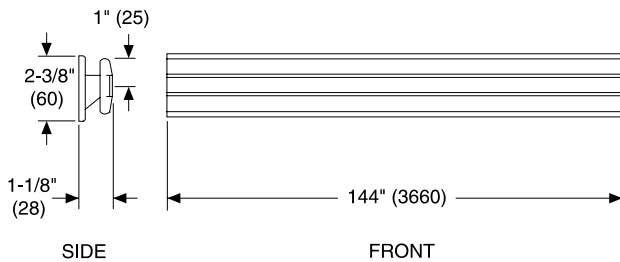
To meet the conditions of appropriate OPA, refer to the OPA document for specific hardware. For other applications, order rail hardware (CO28441, or CO28541) separately.

Order additional seismic components separately:

- End cap for standard or seismic rail (CO338)

Field drilling is required for proper installation.

Dimensions



Specification Information

Step 1.

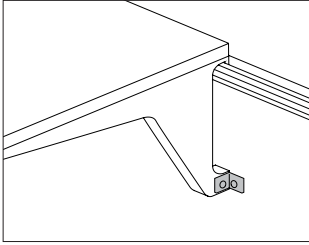
CO479FF \$394

Step 2. Surface Finish

HF	inner tone light	+\$0
LT	light tone	+\$0
LU	soft white	+\$0
WN	warm grey neutral	+\$0

Wall Anchor Bracket

C0569.



Co/Struc® Structure

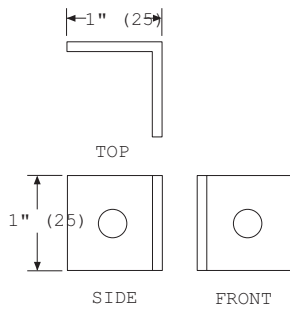
Product Information

Description
This bracket secures Co/Struc rail-hanging components to an architectural wall. It is designed to be used in areas requiring seismic components. Finish is soft white. Package contains 10.

Notes

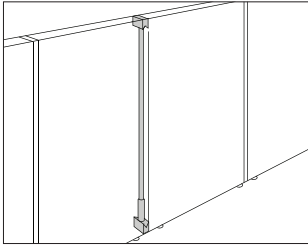
Customer must supply required fasteners.

Dimensions



Specification Information

Step 1.
C0569. \$216



Product Information

Description

This draw rod connects Action Office® Series 1 or 2 panels or Co/Struc® support panels in a straight line. It has a threaded hole in the draw block for attachment to a seismic floor anchor bracket.

Notes

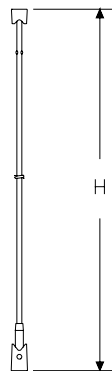
For Action Office Series 1 panels or Co/Struc support panels, specify height of draw rod to match height of panel.

For Action Office Series 2 panels, specify draw rod as follows:

- 32"-high panel, CO215.27
- 39"-high panel, CO215.34
- 47"-high panel, CO215.42
- 53"-high panel, CO215.48
- 62"-high panel, CO215.57
- 67"-high panel, CO215.62
- 85"-high panel, CO215.80

Order floor anchor bracket, Action Office Series 1 (CO481.) or floor anchor bracket, Action Office Series 2 (CO485.) separately.

Dimensions



Specification Information

Step 1.

CO215.

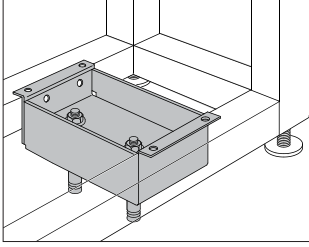
Step 2. Height

27	27" high
34	34" high
42	42" high
48	48" high
57	57" high
62	62" high
80	80" high

Prices for Steps 1-2.

CO215. 27	\$25
34	\$26
42	\$26
48	\$27
57	\$27
62	\$27
80	\$31

Floor Anchor Bracket, Co/Struc® C0568
Lab Module



Co/Struc® Structure

Product Information

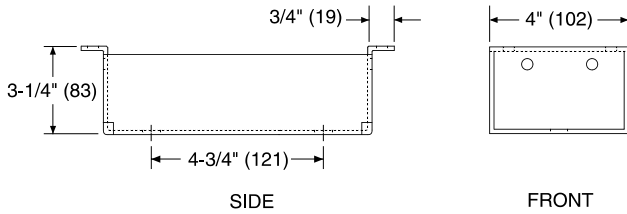
Description

This bracket fastens both sides of a module frame to the floor. Each anchor location requires 1 bracket. Finish is light tone. Package contains 10. Hardware to attach module is included. Floor anchor and bolt must be customer supplied.

Notes

Order bracket for areas requiring seismic components.
Lab modules need to be mounted flush for anchor to install.

Dimensions



Specification Information

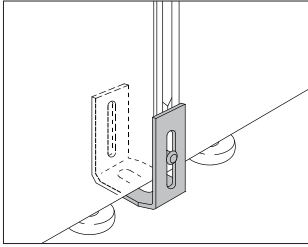
Step 1.

C0568FF

\$976

Floor Anchor Bracket, Action Office® Series 1

CO481



Product Information

Description

This bracket fastens both sides of an Action Office® Series 1 panel to the floor and is designed for use in areas requiring seismic components. Finish is light tone. Package contains 10.

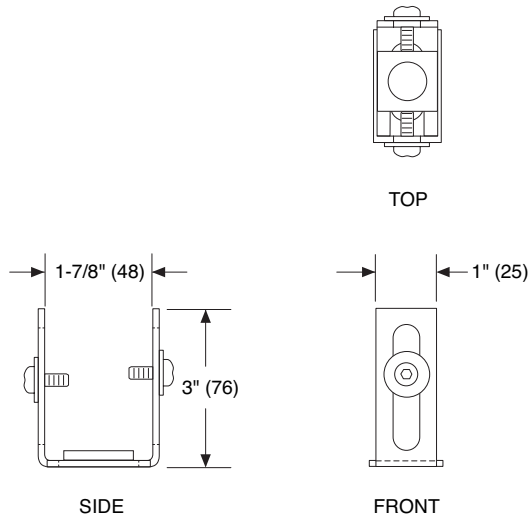
Notes

Order the following products separately:

- Draw rod (CO215.)
- Floor anchor adapter kit (CO552.)
- Seismic finished end (A1250.) when using only Action Office Series 2 components
- Seismic hingeable end (AO258.) when using Action Office Series 1 or Co/Struc® components

Customer must supply required bolts and concrete anchors.

Dimensions



Specification Information

Step 1.

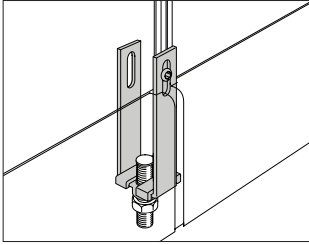
CO481

\$360

Co/Struc® Structure

Floor Anchor Bracket, Action Office® Series 2

CO485



Co/Struc® Structure

Product Information

Description

This bracket fastens both sides of an Action Office® Series 2 panel to the floor and is designed for use in areas requiring seismic components. Package contains 10.

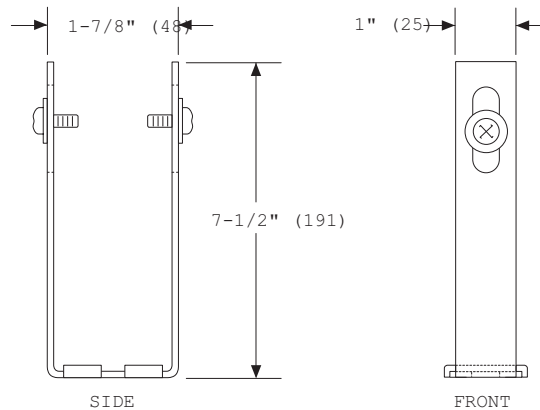
Notes

Order the following products separately:

- Draw rod (CO215.)
- Floor anchor adapter kit (CO552.)
- Seismic finished end (A1250.)

Customer must supply required concrete anchors.

Dimensions



Specification Information

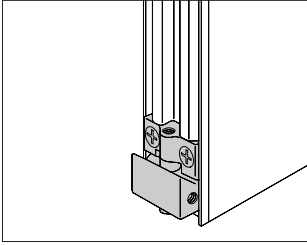
Step 1.

CO485

\$800

Floor Anchor Adapter Kit

C0552



Product Information

Description

This kit replaces the bottom block of an Action Office® Series 1 or 2 spacer or 2-way, 3-way, or 4-way connector. It is designed to be used in areas requiring seismic components and has a threaded hole in the draw block for attachment to a seismic floor anchor bracket. Package contains 10.

Notes

Order floor anchor bracket, Action Office Series 1 (CO481.) or floor anchor bracket, Action Office Series 2 (CO485.) separately.

Dimensions

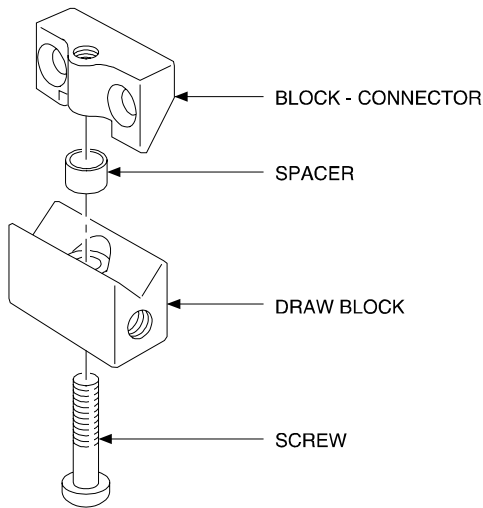
Specification Information

Step 1.

C0552

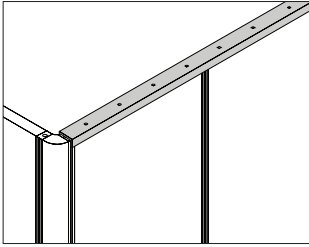
\$199

Co/Struc® Structure



Panel Stiffener, Action Office®
Series 1 or Series 2 Top Cap

C0553



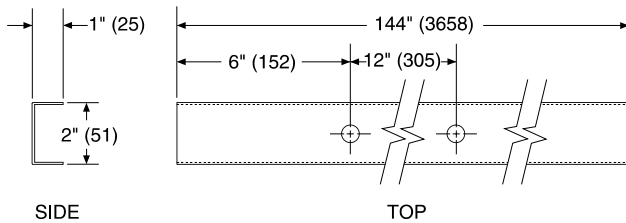
Co/Struc® Structure

Product Information

Description

This top cap fits over a standard top cap and spans multiple Action Office® Series 1 or 2 panels. It provides extra rigidity along the panel run. The 12'-long top cap can be field cut to the appropriate length. Attachment hardware is included.

Dimensions



Specification Information

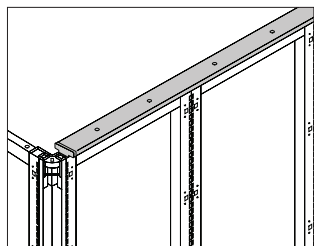
Step 1.

C0553FF \$520

Step 2. Surface Finish

HF	inner tone light	+\$0
LT	light tone	+\$0
LU	soft white	+\$0
MT	medium tone	+\$0
WN	warm grey neutral	+\$0

Frame Stiffener, Ethospace® Top Cap C0554

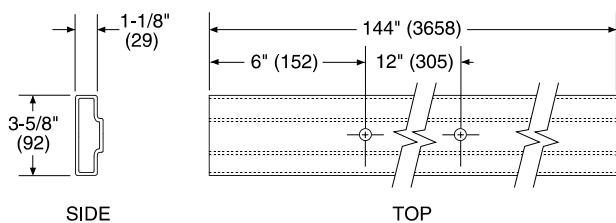


Product Information

Description

This top cap replaces a standard top cap and spans multiple Ethospace® frames. It provides extra rigidity along the frame run. The 12'-long top cap can be field cut to the appropriate length. Attachment hardware is included.

Dimensions



Specification Information

Step 1.

C0554FF \$1024

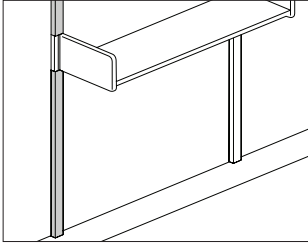
Step 2. Surface Finish

BU	black umber	+\$0
HF	inner tone light	+\$0
LU	soft white	+\$0
WN	warm grey neutral	+\$0

Co/Struc® Structure

Wall Strip Cover

CO487.



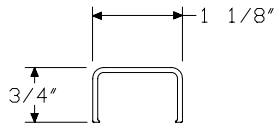
Co/Struc® Structure

Product Information

Description
 This plastic cover snaps onto a wall strip to cover the slots. It helps with infection control in healthcare environments by preventing bacteria and germs from growing in these slots. It is 84" and must be field cut to match the wall strip height. Package contains 6 covers.

Notes
 Order wall strips (AO213, or E1130,) separately.

Dimensions



Specification Information

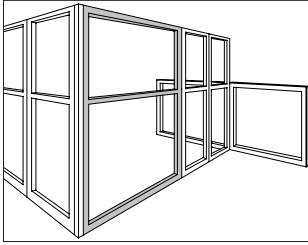
Step 1.
CO487. \$439

Step 2. Finish

BU	black umber	+\$0
HF	inner tone light	+\$0
LU	soft white	+\$0
MT	medium tone	+\$0

Open Support Panel

C1150.



Product Information

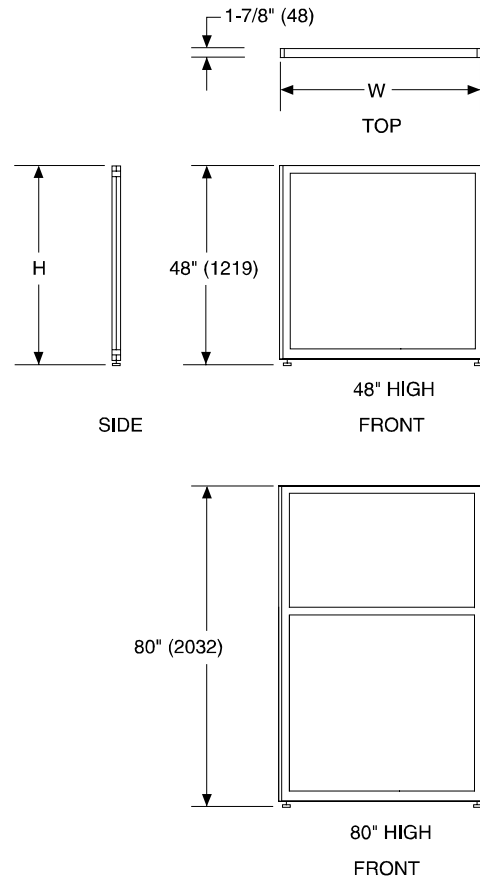
Description

This open panel has hanger frames at 1" intervals to support components. It can be used as a return panel to stabilize a panel run. The panel cannot accept the 3- or 4-circuit electrical system and cannot be used with an Action Office® Series 2 corner connector.

Notes

- Order draw rods (AO215.) or seismic draw rods (CO215.) separately.
- To attach panels of unequal height, order change of height draw rods (AO219.) and change of height panel/panel finished ends (AO272.) separately.
- To join 2 support panels of equal or unequal heights at a 90° angle, order 2-way 90° corner connector (C1221.) separately.
- To join 3 support panels of equal or unequal heights at a 90° angle, order 3-way 90° corner connector (C1231.) separately.

Dimensions



Co/Struc® Structure

Open Support Panel *continued*

Co/Struc® Structure

Specification Information

Step 1.

C1150.

Step 2. Height

48 48" high

80 80" high

Step 3. Width

12 12" wide

24 24" wide

30 30" wide

36 36" wide

48 48" wide

Prices for Steps 1-3.

	12	24	30	36	48
C1150. 48	\$455	473	507	546	591
80	\$628	667	702	746	813

Step 4. Surface Finish

HF inner tone light +\$0

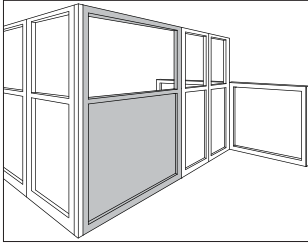
LT light tone +\$0

LU soft white +\$0

WN warm grey neutral +\$0

Support Panel

C1151.



Product Information

Description

This panel has a 48"-high recessed filler and hanger frames at 1" intervals to support components. It can be used as a return panel to stabilize a panel run. The panel has an area between the filler and the rear edge of an attached work surface for passage of wires or tubes. It cannot accept the 3- or 4-circuit electrical system and cannot be used with an Action Office® Series 2 corner connector.

Notes

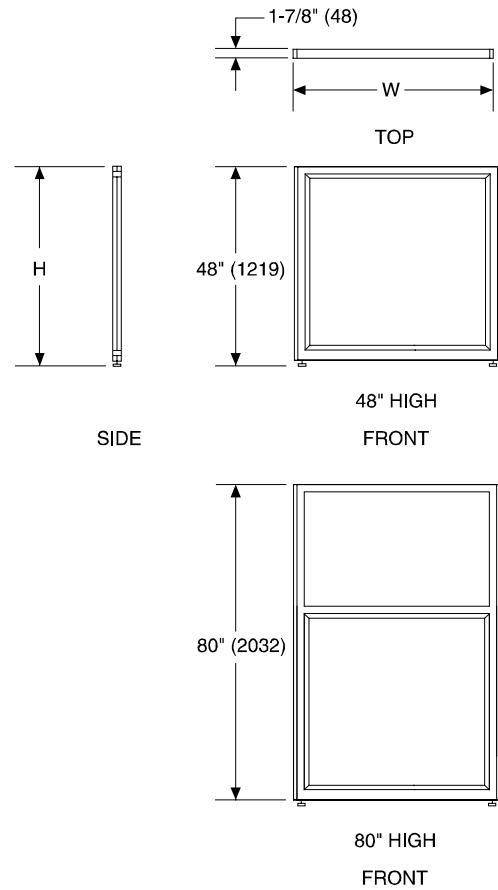
Order draw rods (AO215.) or seismic draw rods (CO215.) separately.

To attach panels of unequal height, order change of height draw rods (AO219.) and change of height panel/panel finished ends (AO272.) separately.

To join 2 support panels of equal or unequal heights at a 90° angle, order 2-way 90° corner connector (C1221.) separately.

To join 3 support panels of equal or unequal heights at a 90° angle, order 3-way 90° corner connector (C1231.) separately.

Dimensions



Specification Information

Step 1.

C1151.

Step 2. Height

48 48" high

80 80" high

Step 3. Width

12 12" wide

24 24" wide

30 30" wide

36 36" wide

48 48" wide

Prices for Steps 1-3.

	12	24	30	36	48
C1151. 48	\$606	751	833	904	1017
80	\$811	915	1010	1135	1254

Step 4. Surface Finish

HF inner tone light +\$0

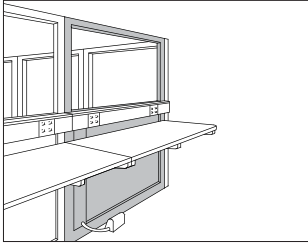
LT light tone +\$0

LU soft white +\$0

WN warm grey neutral +\$0

Floor Entry Support Panel

C1155.



Product Information

Description

This panel has a vertical raceway for routing and concealing electrical wires and communication cables between the floor and a wire chase rail. It has a 48"-high recessed filler, hanger frames at 1" intervals to support components, and 6 knockouts: 3 at the floor level and 3 at 47" above floor level. It cannot accept the 3- or 4-circuit electrical system and cannot be used with an Action Office® Series 2 corner connector.

Notes

To supply power from both sides of panel, order wire chase rail (C1313 or C1314.) separately and mount 48" above floor.

For power feed to wire chase rail mounted at heights other than 48", field cut removable cover on 1 side of vertical raceway.

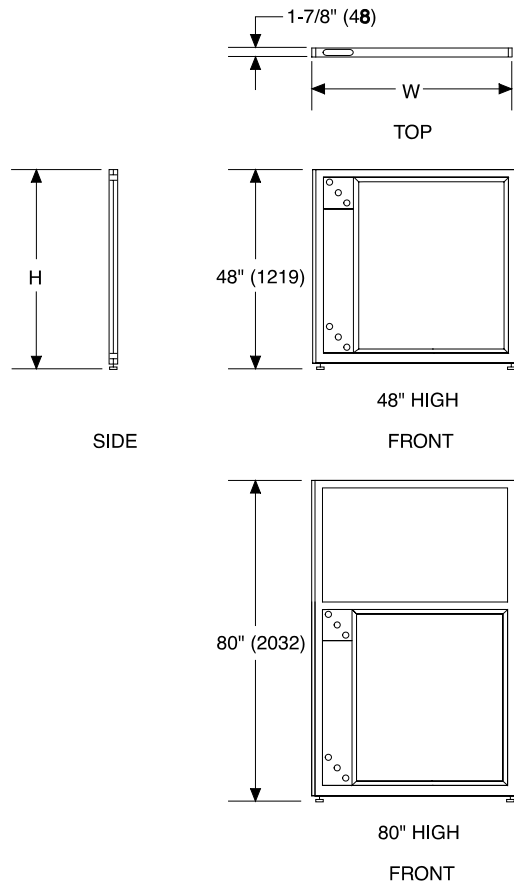
Order draw rods (AO215.) or seismic draw rods (CO215.) separately.

To attach panels of unequal height, order change of height draw rods (AO219.) and change of height panel/panel finished ends (AO272.) separately.

To join 2 support panels of equal or unequal heights at a 90° angle, order 2-way 90° corner connector (C1221.) separately.

To join 3 support panels of equal or unequal heights at a 90° angle, order 3-way 90° corner connector (C1231.) separately.

Dimensions



Floor Entry Support Panel *continued*

Co/Struc® Structure

Specification Information

Step 1.

C1155.

Step 2. Height

48 48" high

80 80" high

Step 3. Width

24 24" wide

30 30" wide

48 48" wide

Prices for Steps 1-3.

	24	30	48
C1155. 48	\$1103	1220	1454
80	\$1300	1378	1622

Step 4. Surface Finish

HF inner tone light +\$0

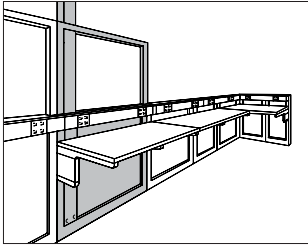
LT light tone +\$0

LU soft white +\$0

WN warm grey neutral +\$0

Ceiling Entry Support Panel

C1156.



Product Information

Description

This panel has a vertical raceway for routing and concealing electrical wires and communication cables between the ceiling and a wire chase rail. It has a 48"-high recessed filler, hanger frames at 1" intervals to support components, and 6 knockouts: 3 at the floor level and 3 at 47" above floor level. It cannot accept the 3- or 4-circuit electrical system and cannot be used with an Action Office® Series 2 corner connector.

Notes

To carry different types of electrical power (e.g. regular and emergency power) or to carry electrical power and low-voltage cables, vertical raceway can be divided into separate internal raceways; contact local contractor.

To supply power from both sides of panel, order wire chase rail (C1313 or C1314.) separately and mount 48" above floor.

For power feed to wire chase rail mounted at heights other than 48", field cut removable cover on 1 side of vertical raceway.

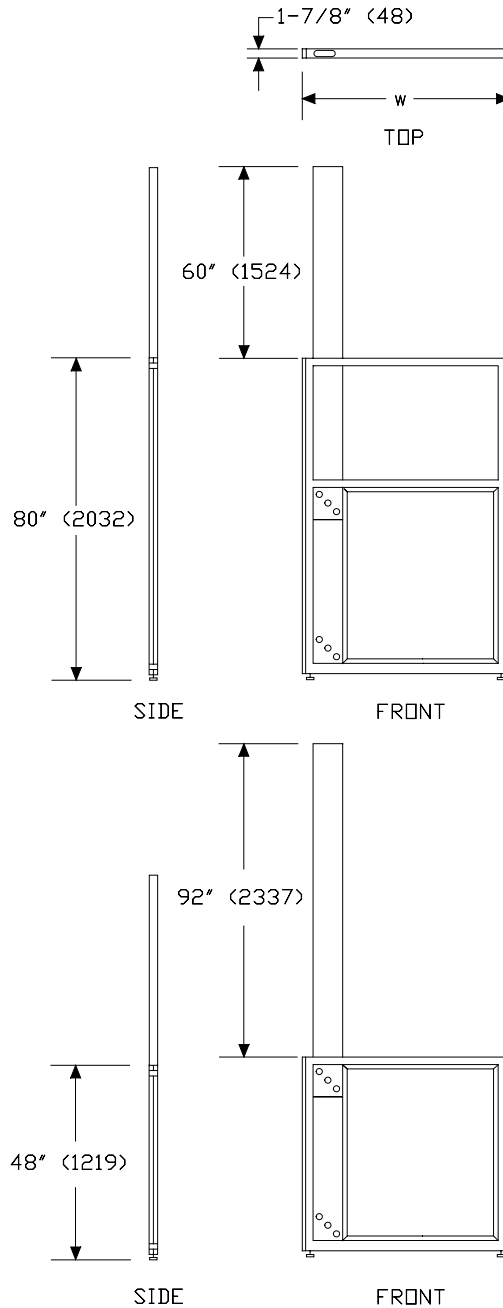
Order draw rods (AO215.) or seismic draw rods (CO215.) separately.

To attach panels of unequal height, order change of height draw rods (AO219.) and change of height panel/panel finished ends (AO272.) separately.

To join 2 support panels of equal or unequal heights at a 90° angle, order 2-way 90° corner connector (C1221.) separately.

To join 3 support panels of equal or unequal heights at a 90° angle, order 3-way 90° corner connector (C1231.) separately.

Dimensions



Ceiling Entry Support Panel *continued*

Co/Struc® Structure

Specification Information

Step 1.

C1156.

Step 2. Height

48 48" high

80 80" high

Step 3. Width

24 24" wide

30 30" wide

48 48" wide

Prices for Steps 1-3.

	24	30	48
C1156. 48	\$2674	2895	2911
80	\$2928	3058	3166

Step 4. Surface Finish

HF inner tone light +\$0

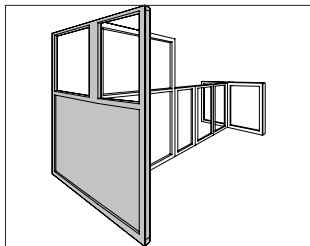
LT light tone +\$0

LU soft white +\$0

WN warm grey neutral +\$0

Terminal Panel

C1161.



Product Information

Description

The center point of this 60"-wide panel attaches at a 90° angle to other panels and provides support to a panel run. Each panel has adjustable glides, finished ends, and a 48"-high recessed filler and hanger frames at 1" intervals to support components. The panel has an area between the filler and the rear edge of an attached work surface for passage of wires or tubes.

The panel is available in 2 heights. The 80"-high panel supports a locker; 48"- and 80"-high panels support work surfaces and other 60"-wide components.

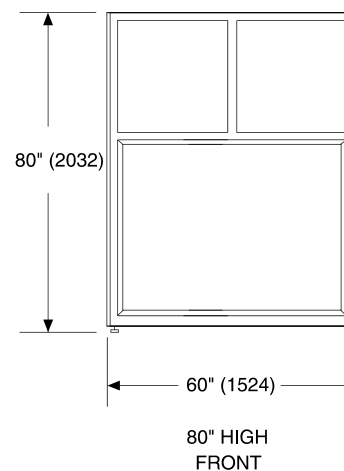
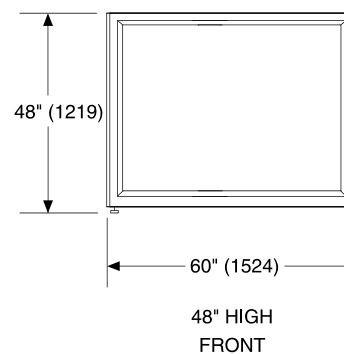
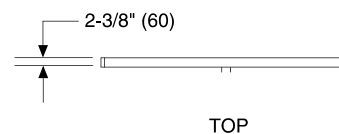
Notes

To support locker, order 2 adapter rails (C1610.) separately.

To connect to panel at 90° angle, order draw rod (AO215.) separately.

Order draw rods (AO215.) or seismic draw rods (CO215.) separately.

Dimensions



Specification Information

Step 1.

C1161.

Step 2. Height

4860 48" high

8060 80" high

Prices for Steps 1-2.

C1161. 4860 \$1699

8060 \$2090

Step 3. Surface Finish

HF inner tone light +\$0

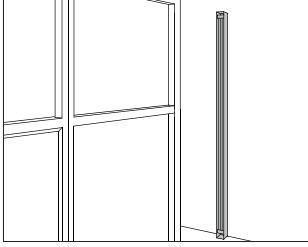
LT light tone +\$0

LU soft white +\$0

WN warm grey neutral +\$0

Panel Wall Start

C1211.



Product Information

Description

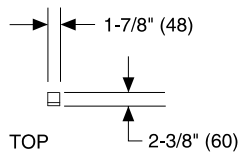
This connector attaches a support panel to a wall or column for a peninsula configuration.

Notes

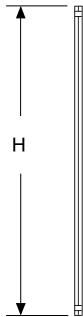
Order draw rod (AO215.) separately.

Package does not contain attachment hardware; designer must select fasteners appropriate for wall conditions and installer must field install.

Dimensions



SIDE



FRONT

Specification Information

Step 1.

C1211.

Step 2. Height

48 48" high

80 80" high

Prices for Steps 1-2.

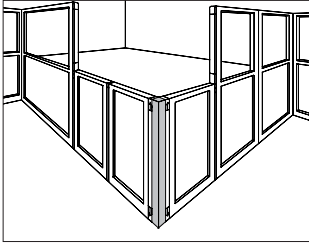
C1211. 48	\$301
80	\$360

Step 3. Surface Finish

HF	inner tone light	+\$0
LT	light tone	+\$0
LU	soft white	+\$0
WN	warm grey neutral	+\$0

2-Way 90° Corner Connector

C1221.



Co/Struc® Structure

Product Information

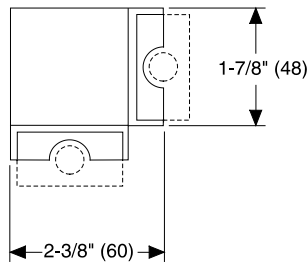
Description

This connector joins 2 support panels of equal or unequal heights at a 90° angle. It cannot be used with a panel run that supports Action Office® Series 2 work surfaces.

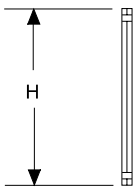
Notes

Order support panels (C1150., C1151., C1155., C1156.) separately.
 Order 2 draw rods (AO215.) or 2 seismic draw rods (CO215.) separately.
 When connecting panels of unequal heights, specify height of connector to match height of higher panel.

Dimensions



TOP



SIDE



FRONT

Specification Information

Step 1.

C1221.

Step 2. Height

48 48" high
80 80" high

Prices for Steps 1-2.

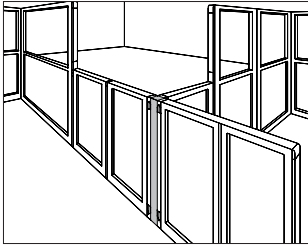
C1221. 48	\$288
80	\$346

Step 3. Surface Finish

HF	inner tone light	+\$0
LT	light tone	+\$0
LU	soft white	+\$0
WN	warm grey neutral	+\$0

3-Way 90° Corner Connector

C1231.



Product Information

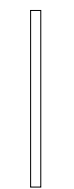
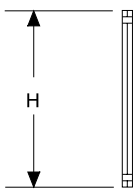
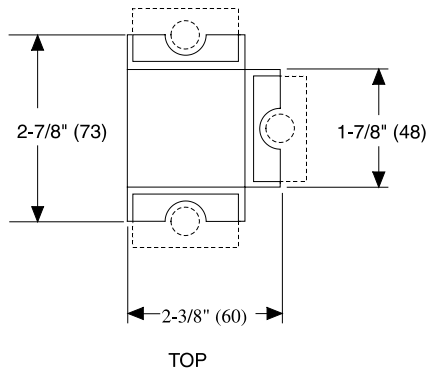
Description

This connector joins 3 support panels of equal or unequal heights at a 90° angle. It cannot be used with a panel run that supports Action Office® Series 2 work surfaces.

Notes

Order support panels (C1150., C1151., C1155., C1156.) separately.
 Order 3 draw rods (AO215.) or 3 seismic draw rods (CO215.) separately.
 When connecting panels of unequal heights, specify height of connector to match height of higher panel.

Dimensions



Specification Information

Step 1.

C1231.

Step 2. Height

48 48" high
80 80" high

Prices for Steps 1-2.

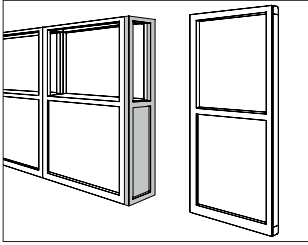
C1231. 48	\$316
80	\$389

Step 3. Surface Finish

HF	inner tone light	+\$0
LT	light tone	+\$0
LU	soft white	+\$0
WN	warm grey neutral	+\$0

Interface Connector

C1261.



Co/Struc® Structure

Product Information

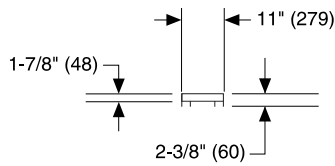
Description
 This 11"-wide connector joins a module to a support panel. It has a removable cover strip that conceals predrilled holes used for attaching connectors.

Notes

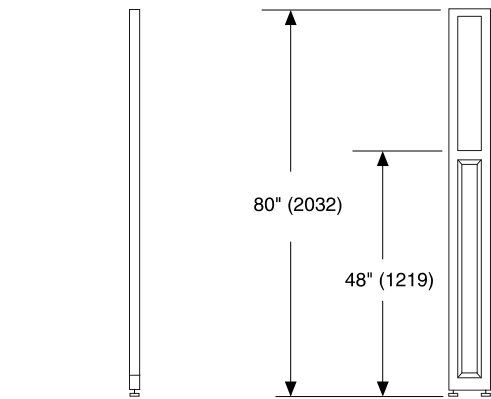
To complete shelf surface at end of module run, order shelf end cap (C1510.E or C1511.E) separately.
 Order panel connector (C1281.) and 3 draw rods (AO215. or CO215.) separately.
 To attach support panel to interface connector (C1261.) of unequal height, order the following products separately:

- Panel connector (C1281.)
- Change of height draw rod (AO219.)
- Change of height panel/panel finished end (AO272.)

Dimensions



TOP



SIDE

FRONT

Specification Information

Step 1.

C1261.

Step 2. Height

4812	48" high
8012	80" high

Prices for Steps 1-2.

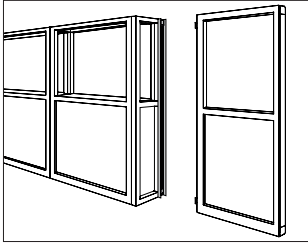
C1261. 4812	\$769
8012	\$938

Step 3. Surface Finish

HF	inner tone light	+\$0
LT	light tone	+\$0
LU	soft white	+\$0
WN	warm grey neutral	+\$0

Panel Connector

C1281.



Product Information

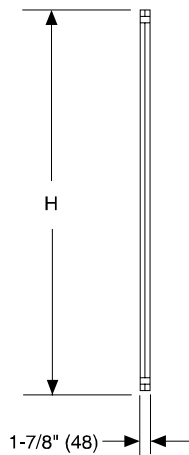
Description

This connector attaches a support panel to an interface connector.

Notes

Specify connector height to match panel height.
Order draw rods (AO215.) or seismic draw rods (CO215.) separately.

Dimensions



FRONT

Specification Information

Step 1.

C1281.

Step 2. Height

48 48" high
80 80" high

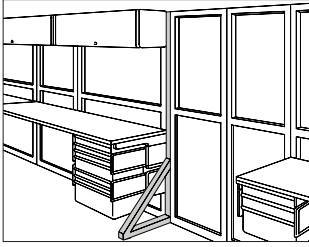
Prices for Steps 1-2.

C1281. 48 \$67
80 \$87

Step 3. Surface Finish

HF inner tone light +\$0
LT light tone +\$0
LU soft white +\$0
WN warm grey neutral +\$0

Mid-Run Support, Single Sided C1272.



Co/Struc® Structure

Product Information

Description

This brace provides additional support to a straight panel run that has components hanging on 1 side. It includes a leveling glide.

Notes

To support 24"-deep work surface, specify 21"-wide mid-run support; to support 30"-deep work surface, specify 27"-wide mid-run support.
Order draw rods (AO215.) or seismic draw rods (CO215.) separately.

Dimensions

Specification Information

Step 1.

C1272.

Step 2. Height

48	48" high
80	80" high

Step 3. Width

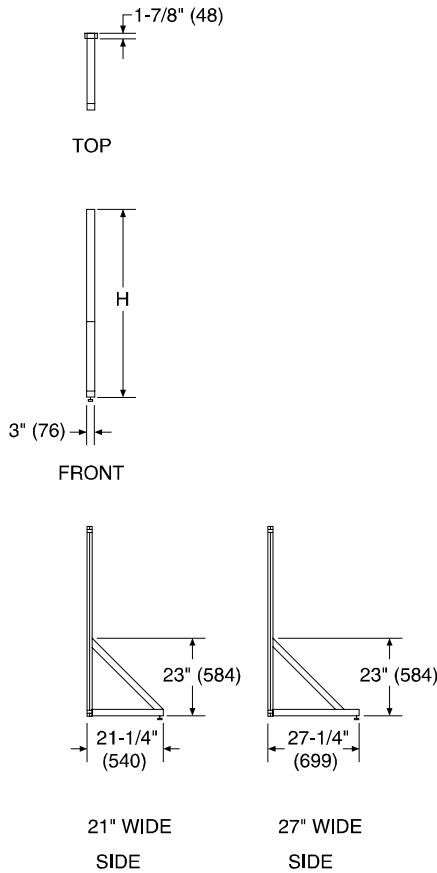
21	21" wide
27	27" wide

Prices for Steps 1-3.

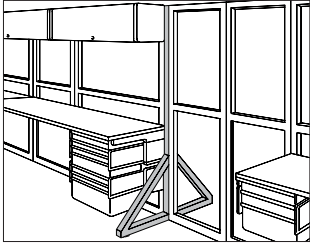
	21	27
C1272. 48	\$524	580
80	\$656	683

Step 4. Surface Finish

HF	inner tone light	+\$0
LT	light tone	+\$0
LU	soft white	+\$0
WN	warm grey neutral	+\$0



Mid-Run Support, Double Sided C1273.



Product Information

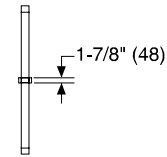
Description

This brace provides additional support to a straight panel run that has components hanging on both sides. It includes leveling glides.

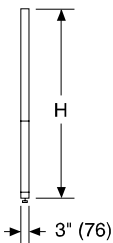
Notes

To support 24"-deep work surface, specify 41"-wide mid-run support; to support 30"-deep work surface, specify 53"-wide mid-run support. To support 24"-deep work surface on 1 side and 30"-deep work surface on other side, specify 53"-wide mid-run support.
Order draw rods (AO215.) or seismic draw rods (CO215.) separately.

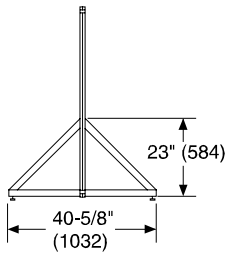
Dimensions



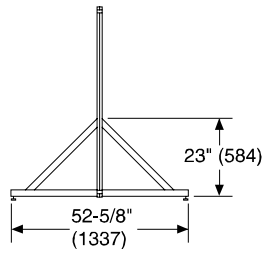
TOP



FRONT



41" WIDE
SIDE



53" WIDE
SIDE

Specification Information

Step 1.

C1273.

Step 2. Height

- 48** 48" high
- 80** 80" high

Step 3. Width

- 41** 41" wide
- 53** 53" wide

Prices for Steps 1-3.

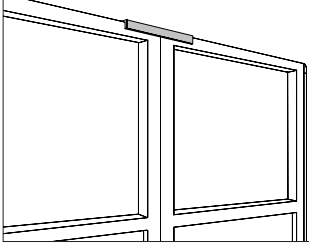
	41	53
C1273. 48	\$593	689
80	\$808	901

Step 4. Surface Finish

HF	inner tone light	+\$0
LT	light tone	+\$0
LU	soft white	+\$0
WN	warm grey neutral	+\$0

Support Panel Top Cap

C1274.



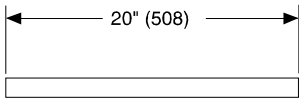
Co/Struc® Structure

Product Information

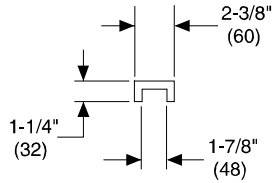
Description

This 20"-wide aluminum top cap attaches to 2 support panels in a straight connection. It provides additional support for a panel run.

Dimensions



SIDE



FRONT

Specification Information

Step 1.

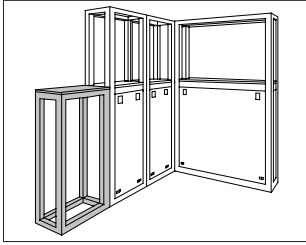
C1274.20 \$127

Step 2. Surface Finish

HF	inner tone light	+\$0
LT	light tone	+\$0
LU	soft white	+\$0
WN	warm grey neutral	+\$0

Low Module

C1112.



Product Information

Description

This 48"-high module attaches to a wall or connects to other freestanding modules. It encloses and organizes mechanical services. The module includes a top shelf and 4 adjustable glides. It has hanger frames at 1" intervals to support components.

Notes

Order access panels separately.

For L, T, or X configuration, order module corner connector separately:

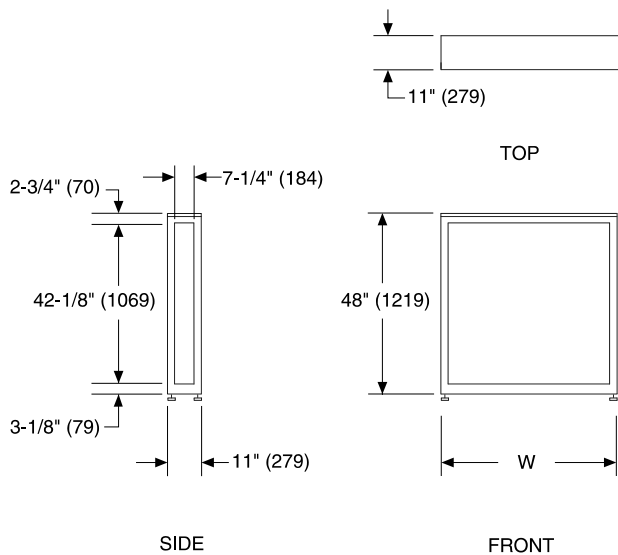
- 2-way connector (C1220.)
- 3-way connector (C1230.)

Order draw rods (AO215.) or seismic draw rods (CO215.) separately.

To attach modules of unequal height, order 2 change of height draw rods (AO219.) and 2 change of height panel/panel finished ends (AO272.) separately.

To enclose the end of a module when a terminal panel (C1122.) is not used, order the end closure assembly (C1451.) separately.

Dimensions



Specification Information

Step 1.

C1112.48

Step 2. Width

24	24" wide
30	30" wide
36	36" wide
48	48" wide

Prices for Steps 1-2.

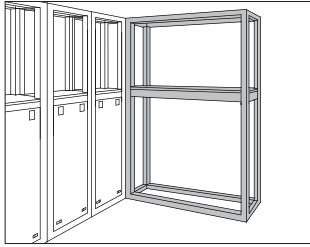
C1112.48 24	\$1185
30	\$1394
36	\$1422
48	\$1552

Step 3. Surface Finish

JD	warm grey neutral Chemsurf®	+\$0
KH	light tone Chemsurf®	+\$0
KR	inner tone light Chemsurf®	+\$0
LE	soft white Chemsurf®	+\$0

Pass-Through Module

C1114.



Co/Struc® Structure

Product Information

Description

This 80"-high module attaches to a wall or connects to other freestanding modules. It encloses and organizes mechanical services and provides pass-through access. The module includes an interior shelf that is field adjustable to 30", 36", or 48" high. It has hanger frames at 1" intervals to support components and 4 adjustable glides.

Notes

Order access panels separately.

For L, T, or X configuration, order module corner connector separately:

- 2-way connector (C1220.)
- 3-way connector (C1230.)

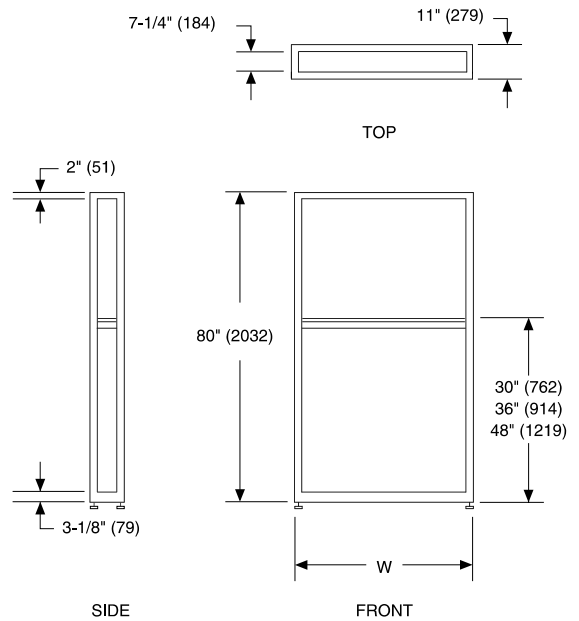
Order draw rods (AO215.) or seismic draw rods (CO215.) separately.

To attach modules of unequal height, order 2 change of height draw rods (AO219.) and 2 change of height panel/panel finished ends (AO272.) separately.

To enclose the top section of a pass-through module, order the end closure panel (C1450.) and 2 change of height panel/panel finished ends (AO272.) separately.

To enclose the end of a module when a terminal panel (C1122., C1124.) is not used, order the end closure assembly (C1451. or C1452.) separately.

Dimensions



Specification Information

Step 1.

C1114.80

Step 2. Width

- 24** 24" wide
- 30** 30" wide
- 36** 36" wide
- 48** 48" wide

Prices for Steps 1-2.

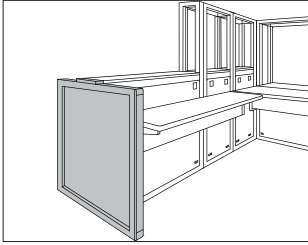
C1114.80	24	\$1533
	30	\$1696
	36	\$1800
	48	\$1910

Step 3. Surface Finish

JD	warm grey neutral Chemsurf®	+\$0
KH	light tone Chemsurf®	+\$0
KR	inner tone light Chemsurf®	+\$0
LE	soft white Chemsurf®	+\$0

Low Module Terminal Panel

C1122.



Co/Struc® Structure

Product Information

Description

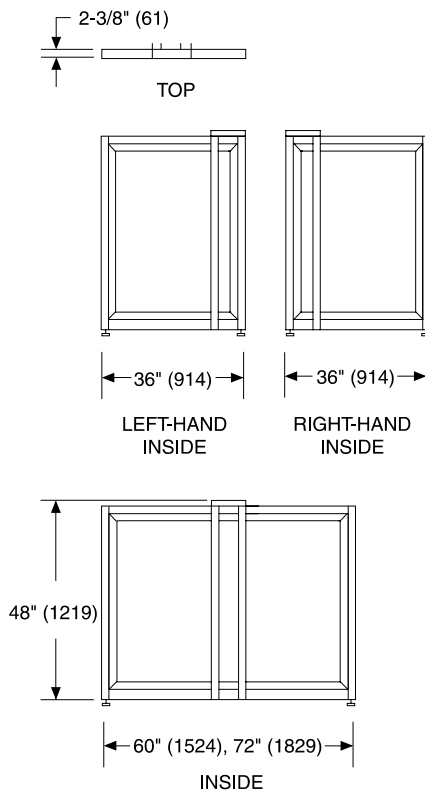
This 48"-high, hard-surfaced end panel attaches to a freestanding module. It supports a module run or divides space. The panel includes a top shelf end cap, adjustable glides, and finished ends, and comes in 3 widths.

The 60"- and 72"-wide panel supports hanging components.

Notes

Order draw rods (AO215.) or seismic draw rods (CO215.) separately.

Dimensions



Specification Information

Step 1.

C1122.48

Step 2. Width/Position

36L	36" wide and left-hand panel
36R	36" wide and right-hand panel
60	60" wide
72	72" wide

Prices for Steps 1-2.

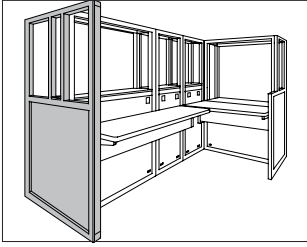
C1122.48	36L	\$1573
	36R	\$1573
	60	\$1926
	72	\$2844

Step 3. Surface Finish

JD	warm grey neutral Chemsurf®	+\$0
KH	light tone Chemsurf®	+\$0
KR	inner tone light Chemsurf®	+\$0
LE	soft white Chemsurf®	+\$0

Pass-Through Module Terminal Panel

C1122.
C1124.



Product Information

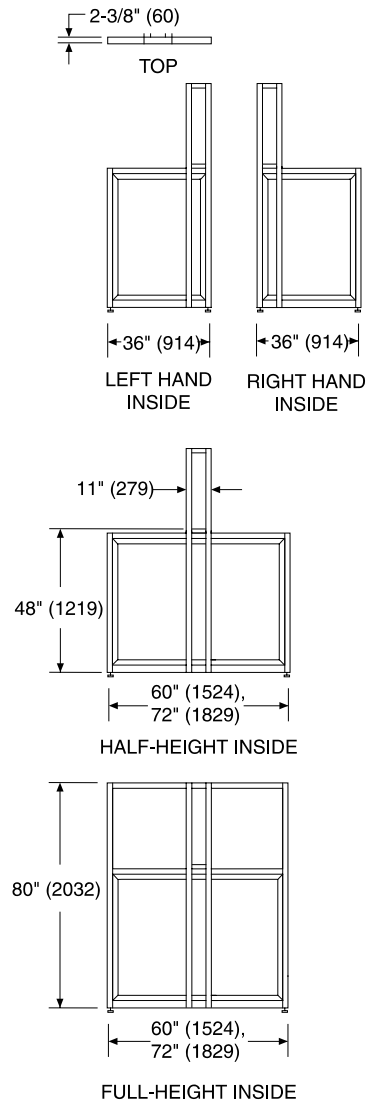
Description

This 80"-high, hard-surfaced end panel attaches to a freestanding module. It supports a module run or divides space. The panel is available in 3 widths. The 60"- and 72"-wide, full-height panel supports hanging components. Each panel has an interior shelf end cap, adjustable glides, and finished ends.

Notes

To attach terminal panel to module, order 2 draw rods (AO215.) or 2 seismic draw rods (CO215.) separately.

Dimensions



Pass-Through Module Terminal Panel *continued*

Co/Struc® Structure

Specification Information

Step 1.

C112

Step 2. Height

2.80 full-height

4.80 half-height

Step 3. Width/Position

For full-height (2.80)

60 60" wide

72 72" wide

For half-height (4.80)

36L 36" wide and left-hand panel

36R 36" wide and right-hand panel

60 60" wide

72 72" wide

Prices for Steps 1-3.

C1122.80	60	\$2461
	72	\$2948

C1124.80	36L	\$1723
	36R	\$1723
	60	\$2385
	72	\$2940

Step 4. Surface Finish

JD warm grey neutral Chemsurf® +\$0

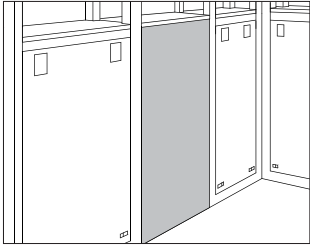
KH light tone Chemsurf® +\$0

KR inner tone light Chemsurf® +\$0

LE soft white Chemsurf® +\$0

Diplomat Panel

C1146.



Product Information

Description

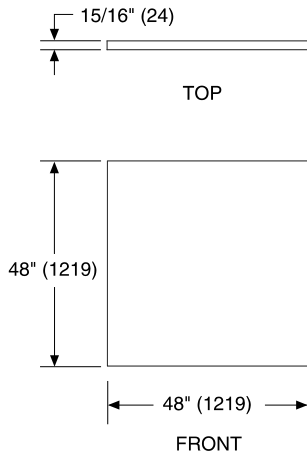
This 48"-high, 48"-wide laminate panel can be field cut to fit a non-modular space in a run of freestanding modules. It includes 3 top shelf brackets, 2 floor base brackets, and 2 wall-attached wall start connectors. The panel cannot support components.

Notes

To cover both sides of a freestanding module run, specify 2 diplomat panels.

For diplomat panel used with low or pass-through module, order top shelf (C1510.) separately; shelf must be field modified.

Dimensions



Specification Information

Step 1.

C1146. \$715

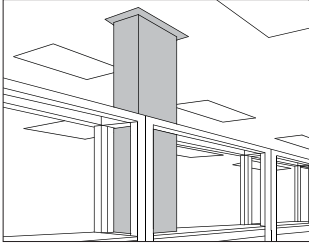
Step 2. Surface Finish

HF	inner tone light	+\$0
LT	light tone	+\$0
LU	soft white	+\$0
WN	warm grey neutral	+\$0

Co/Struc® Structure

Vertical Chase Cover

C1460.



Co/Struc® Structure

Product Information

Description

This 72"-high tower encloses services between the ceiling and the top shelf of a low module, the interior shelf of a pass-through module, or a 2- or 3-way module corner connector. It includes a ceiling trim plate. The cover cannot be used with a 4-way module corner connector.

Notes

Order module or connector separately:

- 2-way module corner connector (C1220.)
- 3-way module corner connector (C1230.)
- Low module (C1112.)
- Pass-through module (C1114.)

Dimensions

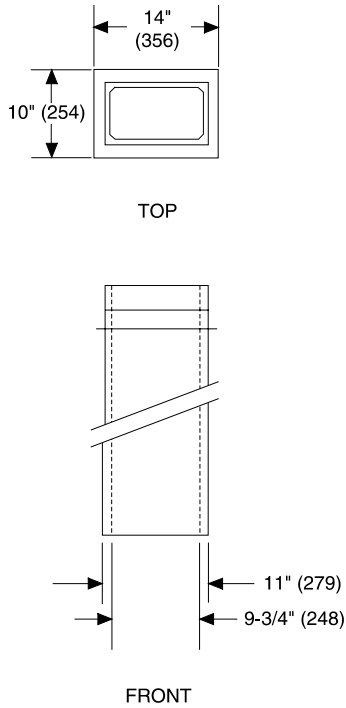
Specification Information

Step 1.

C1460. \$700

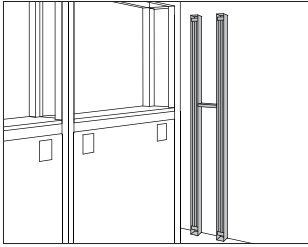
Step 2. Surface Finish

HF	inner tone light	+\$0
LT	light tone	+\$0
LU	soft white	+\$0
WN	warm grey neutral	+\$0



Module Wall Start

C1212.



Product Information

Description

This connector starts a peninsula configuration by attaching a low or pass-through module to a wall or column. It includes a shelf end cap.

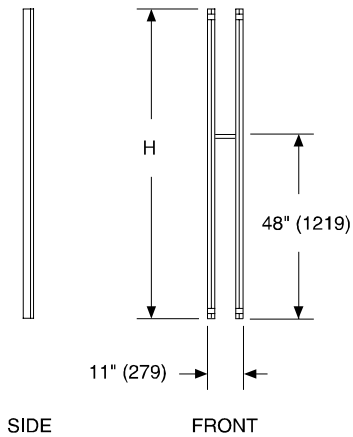
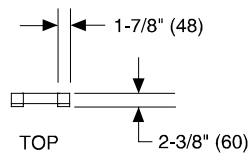
Notes

For low module, specify 48"-high wall start; for pass-through module, specify 80"-high wall start.

Order draw rods (AO215.) or seismic draw rods (CO215.) separately.

Package does not contain attachment hardware; designer must select fasteners appropriate for wall conditions and installer must field install.

Dimensions



Specification Information

Step 1.

C1212.

Step 2. Height

48 48" high
80 80" high

Prices for Steps 1-2.

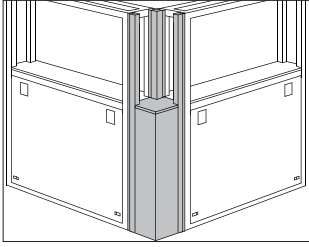
C1212. 48 \$535
80 \$576

Step 3. Surface Finish

JD warm grey neutral Chemsurf® +\$0
KH light tone Chemsurf® +\$0
KR inner tone light Chemsurf® +\$0
LE soft white Chemsurf® +\$0

Co/Struc® Structure

2-Way Module Corner Connector C1220.



Co/Struc® Structure

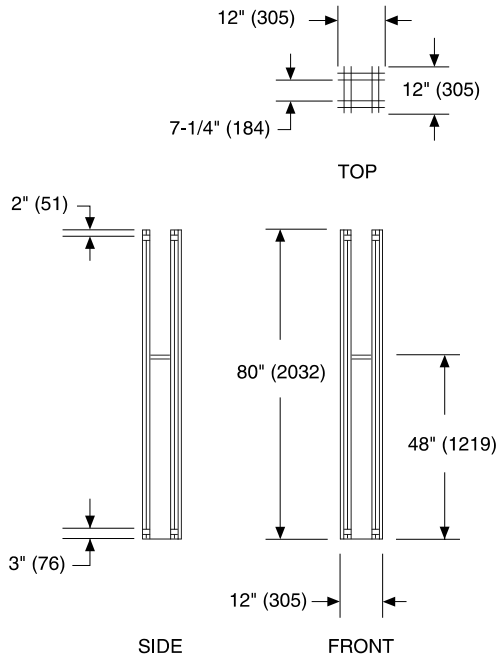
Product Information

Description
 This connector joins 2 modules of equal or unequal heights at a 90° angle. It includes a top shelf and filler panels to enclose the utility chase.

Notes

Order draw rods (AO215.) or seismic draw rods (CO215.) separately.
 To attach module of unequal height, order 2 change of height draw rods (AO219.) and 2 change of height panel/panel finished ends (AO272.) separately.

Dimensions



Specification Information

Step 1.

C1220.

Step 2. Height

48	48" high
80	80" high

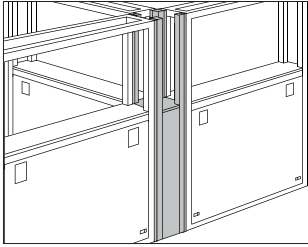
Prices for Steps 1-2.

C1220. 48	\$1254
80	\$1504

Step 3. Surface Finish

JD	warm grey neutral Chemsurf®	+\$0
KH	light tone Chemsurf®	+\$0
KR	inner tone light Chemsurf®	+\$0
LE	soft white Chemsurf®	+\$0

3-Way Module Corner Connector C1230.



Product Information

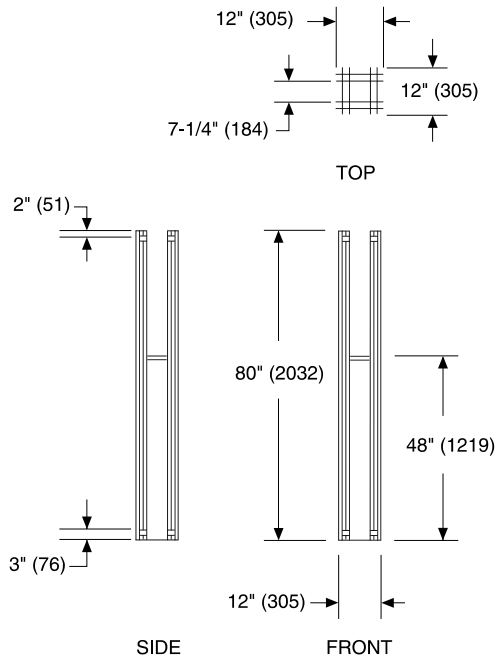
Description

This connector joins 3 modules of equal or unequal heights at 90° angles. It includes a top shelf and filler panels to enclose the utility chase.

Notes

Order draw rods (AO215.) or seismic draw rods (CO215.) separately.
To attach module of unequal height, order 2 change of height draw rods (AO219.) and 2 change of height panel/panel finished ends (AO272.) separately.

Dimensions



Specification Information

Step 1.

C1230.

Step 2. Height

48 48" high
80 80" high

Prices for Steps 1-2.

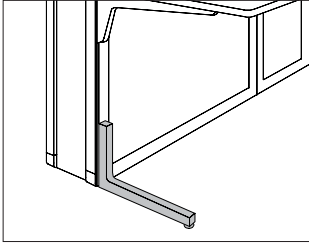
C1230. 48 \$1254
80 \$1504

Step 3. Surface Finish

JD warm grey neutral Chemsurf® +\$0
KH light tone Chemsurf® +\$0
KR inner tone light Chemsurf® +\$0
LE soft white Chemsurf® +\$0

Module Support Leg

C1275.



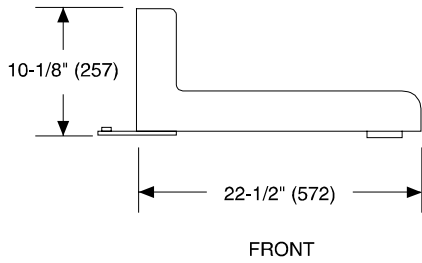
Co/Struc® Structure

Product Information

Description

This leg provides additional support for normal loading on a low or pass-through module. It has a leveling glide.

Dimensions



Specification Information

Step 1.

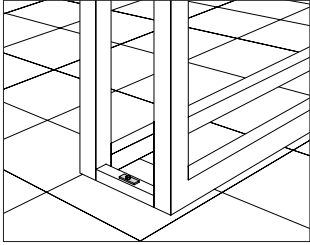
C1275. \$499

Step 2. Surface Finish

HF	inner tone light	+\$0
LT	light tone	+\$0
LU	soft white	+\$0
WN	warm grey neutral	+\$0

Anchor Support Kit

C1276.



Product Information

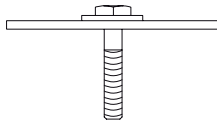
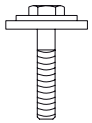
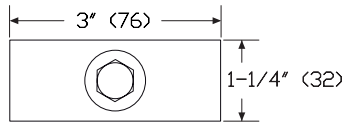
Description

This kit fastens a module to the floor. It includes a bolt, spacer, and plate. Package contains 10.

Notes

Anchor support kit is not acceptable for seismic anchoring.
Source anchor component separately.

Dimensions



Specification Information

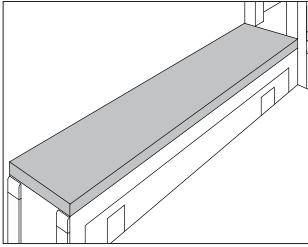
Step 1.

C1276.

\$285

Top Shelf

C1510.



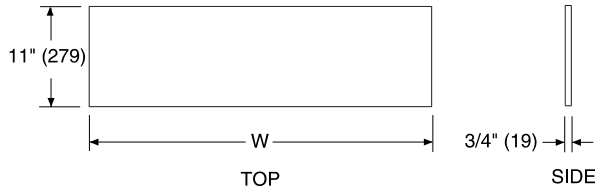
Co/Struc® Structure

Product Information

Description

This 11"-deep shelf encloses the top of a low module service chase and provides a storage shelf. It has a Chemsurf® surface. The shelf can be drilled for fixtures or piping. It cannot attach to a pass-through module.

Dimensions



Specification Information

Step 1.

C1510.12

Step 2. Width

12	12" wide
24	24" wide
30	30" wide
36	36" wide
48	48" wide

Prices for Steps 1-2.

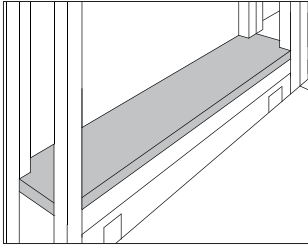
C1510.12	12	\$225
	24	\$301
	30	\$377
	36	\$396
	48	\$407

Step 3. Surface Finish

JD	warm grey neutral Chemsurf®	+\$0
KH	light tone Chemsurf®	+\$0
KR	inner tone light Chemsurf®	+\$0
LE	soft white Chemsurf®	+\$0

Interior Shelf

C1511.



Product Information

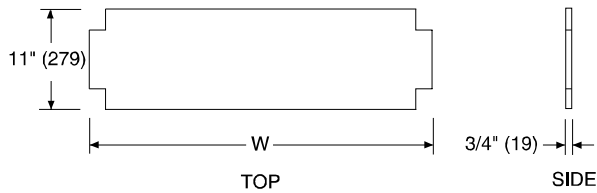
Description

This 11"-deep shelf fits inside a pass-through module. It encloses the top of a 48"-high service chase and provides a storage shelf. The shelf has a Chemsurf® surface. It can be drilled for fixtures or piping. Attachment hardware is included.

Notes

To install shelf higher than 48", order interior shelf and support kit (C1515.) separately.

Dimensions



Specification Information

Step 1.

C1511.12

Step 2. Width

24	24" wide
30	30" wide
36	36" wide
48	48" wide

Prices for Steps 1-2.

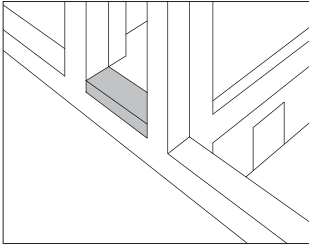
C1511.12 24	\$358
30	\$399
36	\$424
48	\$448

Step 3. Surface Finish

JD	warm grey neutral Chemsurf®	+\$0
KH	light tone Chemsurf®	+\$0
KR	inner tone light Chemsurf®	+\$0
LE	soft white Chemsurf®	+\$0

Shelf End Cap

C1510.
C1511.



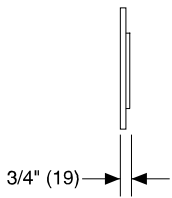
Co/Struc® Structure

Product Information

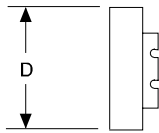
Description

This cap finishes the end of an interior or top shelf at the connection of a low or pass-through module and an interface connector. It has a Chemsurf® surface. Attachment hardware is included.

Dimensions



SIDE



TOP

Specification Information

Step 1.

C151

Step 2. Depth/Usage

- 1.E** 7" deep for interior shelf
- 0.E** 12" deep for top shelf

Prices for Steps 1-2.

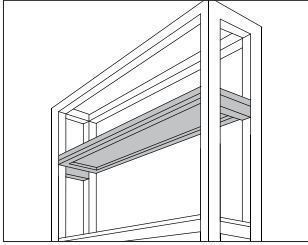
C1511.E	\$197
C1510.E	\$193

Step 3. Surface Finish

JD	warm grey neutral Chemsurf®	+\$0
KH	light tone Chemsurf®	+\$0
KR	inner tone light Chemsurf®	+\$0
LE	soft white Chemsurf®	+\$0

Interior Shelf and Support Kit

C1515.

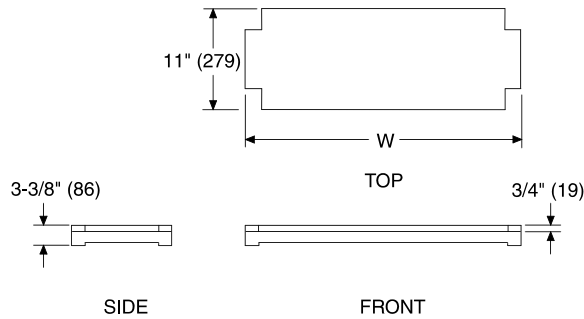


Product Information

Description

This 11"-deep interior shelf is installed within a pass-through module. Attachment hardware is included.

Dimensions



Specification Information

Step 1.

C1515.12

Step 2. Width

- 24** 24" wide
- 30** 30" wide
- 36** 36" wide
- 48** 48" wide

Prices for Steps 1-2.

C1515.12	24	\$706
	30	\$762
	36	\$847
	48	\$967

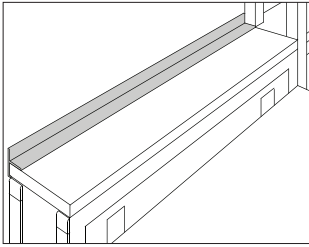
Step 3. Surface Finish

JD	warm grey neutral Chemsurf®	+\$0
KH	light tone Chemsurf®	+\$0
KR	inner tone light Chemsurf®	+\$0
LE	soft white Chemsurf®	+\$0

Co/Struc® Structure

Shelf Backsplash

C1520.



Co/Struc® Structure

Product Information

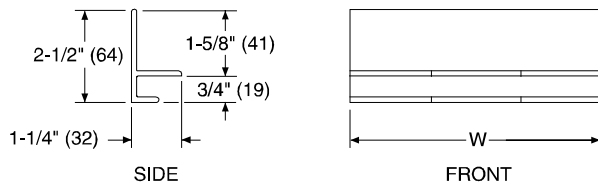
Description

This plastic barrier attaches to the back of a top shelf and creates a backsplash. It is used with a module that sits against a wall. The barrier can also compensate for variations in a wall surface. Package contains 4.

Notes

For use with interior shelf, field modify shelf backsplash.

Dimensions



Specification Information

Step 1.

C1520.

Step 2. Width

- 24** 24" wide
- 30** 30" wide
- 36** 36" wide
- 48** 48" wide

Prices for Steps 1-2.

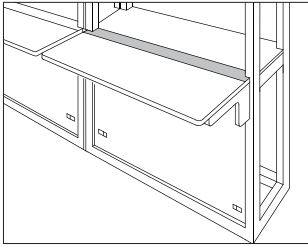
C1520. 24	\$83
30	\$103
36	\$112
48	\$147

Step 3. Surface Finish

HF	inner tone light	+\$0
LT	light tone	+\$0
LU	soft white	+\$0
WN	warm grey neutral	+\$0

Filler Extrusion

C1530.
C1531.

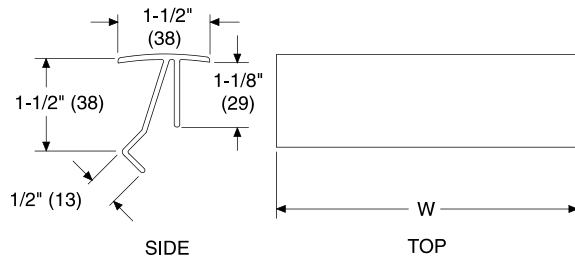


Product Information

Description

This component fills the space between a work surface and the interior shelf for a pass-through module. It creates a continuous work area. Attachment hardware is included.

Dimensions



Specification Information

Step 1.

C153

Step 2. Usage

- 0. for top shelf
- 1. for interior shelf

Step 3. Width

- 24 24" wide
- 30 30" wide
- 36 36" wide
- 48 48" wide

Prices for Steps 1-3.

C1530. 24	\$56
30	\$70
36	\$83
48	\$93

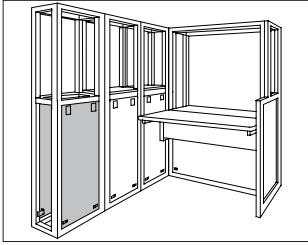
C1531. 24	\$57
30	\$82
36	\$94
48	\$108

Step 4. Surface Finish

HF	inner tone light	+\$0
LT	light tone	+\$0
LU	soft white	+\$0
WN	warm grey neutral	+\$0

Access Panel Assembly

C1412.



Co/Struc® Structure

Product Information

Description

This assembly of 2 access panels attaches to a freestanding module and encloses both sides of the service chase. The panels mount in a flush or recessed position and are removable for service access. Each panel has 2 knockouts for standard duplex electrical outlets. Brackets and mounting hardware are included. Shipped knocked down.

The assembly has 2 30"- or 2 42"-high access panels.

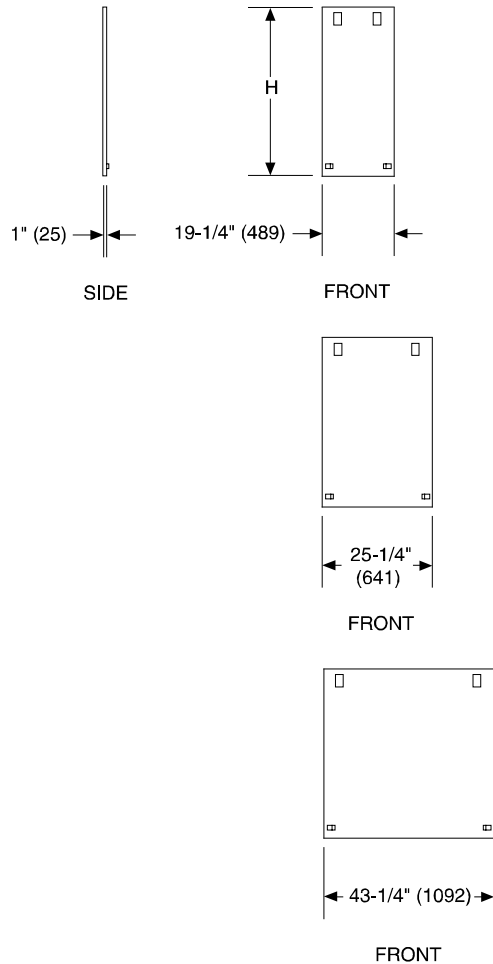
Notes

Order low module (C1112.) or pass-through module (C1114.) separately.

For interior shelf mounted at 36" on pass-through module, specify 30"-high assembly.

For interior shelf mounted at 48" on pass-through module, specify 42"-high assembly.

Dimensions



Specification Information

Step 1.

C1412.

Step 2. Height

- 30** 30" high
- 42** 42" high

Step 3. Width

- 19** 19¹/₄" wide
- 25** 25¹/₄" wide
- 31** 31¹/₄" wide
- 43** 43¹/₄" wide

Prices for Steps 1-3.

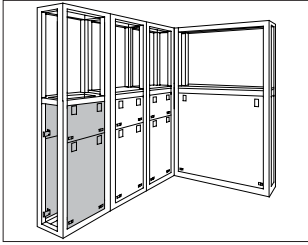
	19	25	31	43
C1412. 30	\$519	604	631	651
42	\$581	679	742	818

Step 4. Surface Finish

- HF** inner tone light +\$0
- LT** light tone +\$0
- LU** soft white +\$0
- WN** warm grey neutral +\$0

Combination Access Panel Assembly

C1422.



Co/Struc® Structure

Product Information

Description

This assembly of 4 access panels attaches to a freestanding module and encloses both sides of the service chase. The panels mount in a flush or recessed position and are removable for service access. Each panel has 2 knockouts (4 per module side) for standard duplex electrical outlets. Brackets and mounting hardware are included. Shipped knocked down. The 24"-high assembly has 4 12"-high access panels; the 42"-high assembly has 2 12"- and 2 30"-high access panels.

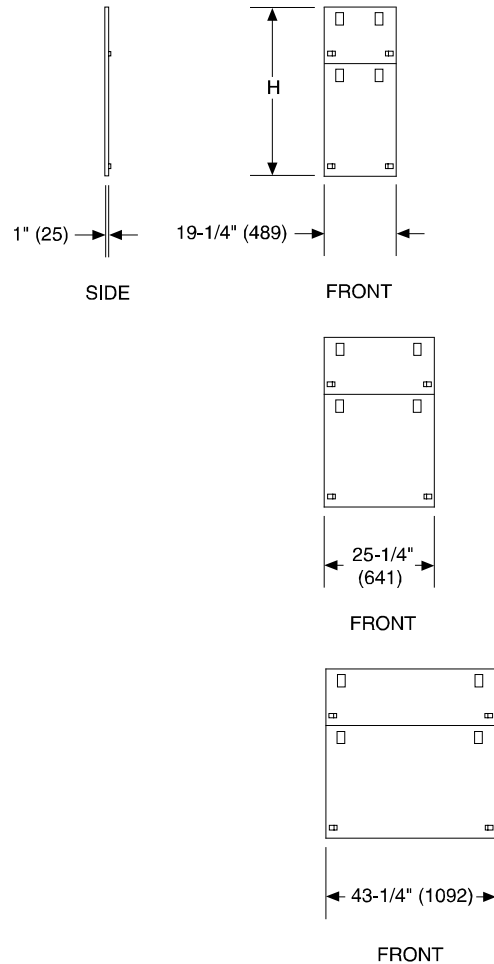
Notes

Order low module (C1112.) or pass-through module (C1114.) separately.

For interior shelf mounted 30" high on pass-through module, specify 24"-high assembly.

For interior shelf mounted 48" high on pass-through module, specify 42"-high assembly.

Dimensions



Combination Access Panel

Assembly *continued*

Specification Information

Step 1.

C1422.

Step 2. Height

24 24" high

42 42" high

Step 3. Width

19 19¹/₄" wide

25 25¹/₄" wide

31 31¹/₄" wide

43 43¹/₄" wide

Prices for Steps 1-3.

	19	25	31	43
C1422. 24	\$1093	1146	1200	1243
42	\$1161	1290	1433	1512

Step 4. Surface Finish

HF inner tone light +\$0

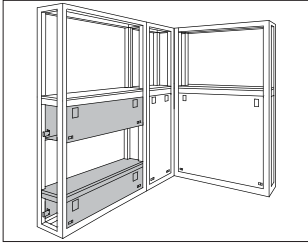
LT light tone +\$0

LU soft white +\$0

WN warm grey neutral +\$0

Low Cup Sink Access Panel Assembly

C1432.



Co/Struc® Structure

Product Information

Description

This assembly attaches to a pass-through module and creates a low cup sink assembly in the lower service chase. It encloses both sides of the service chase and has removable panels for service access. The assembly includes 4 12"-high access panels, 1 shelf support frame, 1 interior shelf, 1 bottom chase cover, and attachment hardware. Each 12"-high panel has 2 knockouts for standard duplex electrical outlets. The assembly has a 15 1/4" space for a cup sink; this divides the service chase into 2 12" segments. Shipped knocked down.

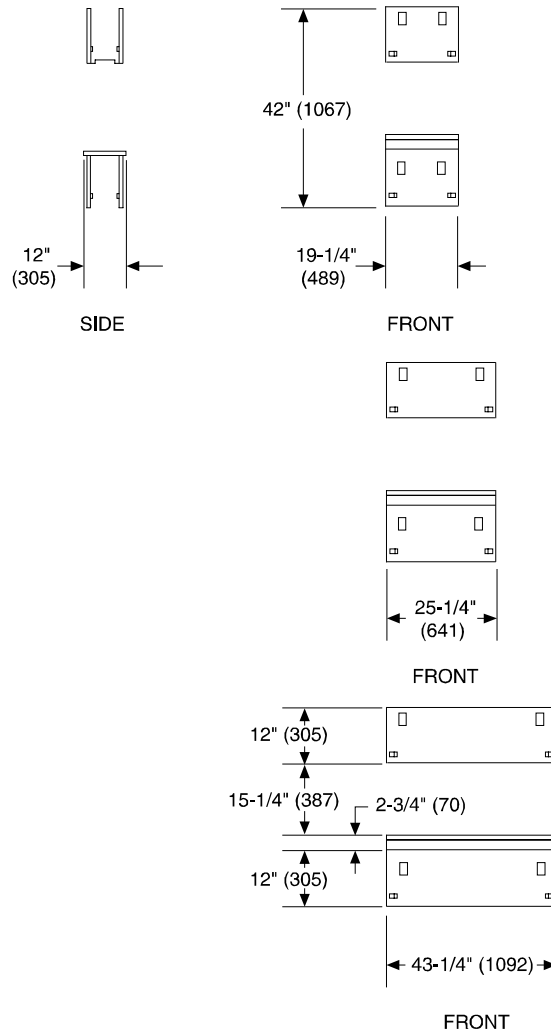
Notes

Order pass-through module (C1114.) separately.

To enclose service chase of adjacent module, order center closure panel (C1455.1607) separately.

Customer must order sink and fixtures separately and field cut interior shelf to hold sink.

Dimensions



Low Cup Sink Access Panel Assembly *continued*

Specification Information

Step 1.

C1432.42

Step 2. Width

19 19¹/₄" wide

25 25¹/₄" wide

43 43¹/₄" wide

Prices for Steps 1-2.

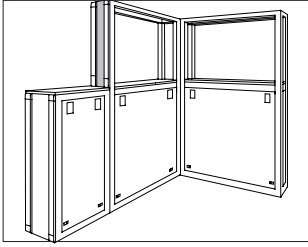
C1432.42	19	\$1739
	25	\$1898
	43	\$2098

Step 3. Surface Finish

JD	warm grey neutral Chemsurf®	+\$0
KH	light tone Chemsurf®	+\$0
KR	inner tone light Chemsurf®	+\$0
LE	soft white Chemsurf®	+\$0

End Closure Panel

C1450.



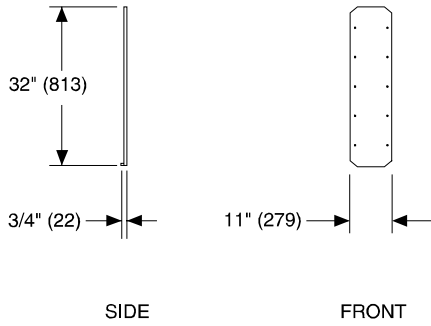
Co/Struc® Structure

Product Information

Description
 This 32"-high, 11"-wide panel encloses the top section of a pass-through module.

Notes
 Order pass-through module (C1114.) separately.
 Order 2 panel/panel change-of-height finished ends (AO272.) separately.

Dimensions



Specification Information

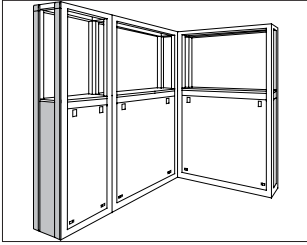
Step 1.
C1450.3211 \$124

Step 2. Surface Finish

HF	inner tone light	+\$0
LT	light tone	+\$0
LU	soft white	+\$0
WN	warm grey neutral	+\$0

End Closure Assembly

C1451.
C1452.



Product Information

Description

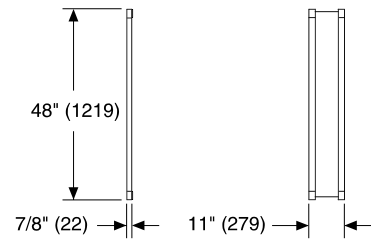
This assembly encloses the end of a module when a terminal panel is not used.

The end closure for a low module has a 48"-high panel and 2 48"-high end caps. The full-height end closure for a pass-through module has an 80"-high panel and 2 80"-high end caps. The half-height end closure for a pass-through module has a 48"-high panel and 2 80"-high end caps.

Notes

Order low module (C1112.) or pass-through module (C1114.) separately.

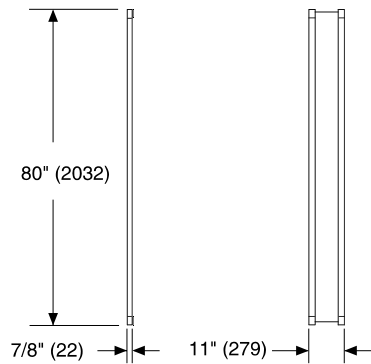
Dimensions



END CLOSURE FOR LOW MODULE

SIDE

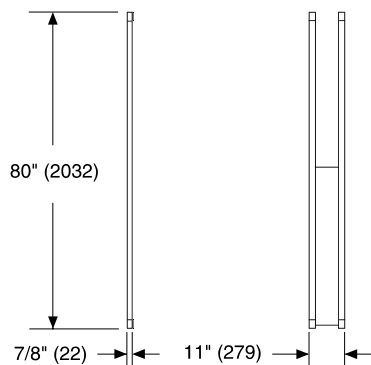
FRONT



FULL-HEIGHT END CLOSURE FOR PASS-THROUGH MODULE

SIDE

FRONT



HALF-HEIGHT END CLOSURE FOR PASS-THROUGH MODULE

SIDE

FRONT

Specification Information

Step 1.

C145

Step 2. Type

- 1.4811** end closure for low module
- 1.8011** full-height end closure for pass-through module
- 2.8011** half-height end closure for pass-through module

Prices for Steps 1-2.

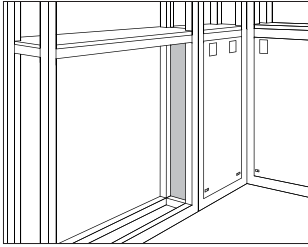
C1451.4811	\$254
C1451.8011	\$333
C1452.8011	\$249

Step 3. Surface Finish

HF	inner tone light	+\$0
LT	light tone	+\$0
LU	soft white	+\$0
WN	warm grey neutral	+\$0

Center Closure Panel

C1455.



Product Information

Description

This panel attaches to the inside of a module run and encloses the end of a service chase. Attachment hardware is included.

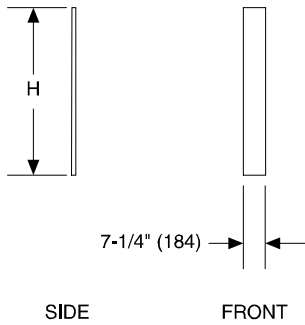
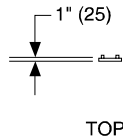
Notes

To enclose service chase on either end of cup sink opening or 14"-high openings created by partial chases at panel connections, order 16"-high panel.

To enclose lower interior module chase, order 43"-high panel.

To enclose upper section of pass-through module, order 32"-high panel.

Dimensions



Specification Information

Step 1.

C1455.

Step 2. Height

1607	16" high
3207	32" high
4307	43" high

Prices for Steps 1-2.

C1455. 1607	\$586
3207	\$593
4307	\$597

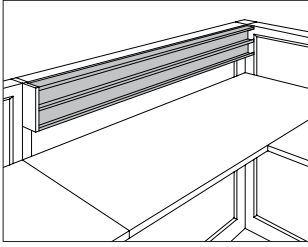
Step 3. Surface Finish

HF	inner tone light	+\$0
LT	light tone	+\$0
LU	soft white	+\$0
WN	warm grey neutral	+\$0

Co/Struc® Structure

Wire Chase Rail

C1313.
C1314.



Co/Struc® Structure

Product Information

Description

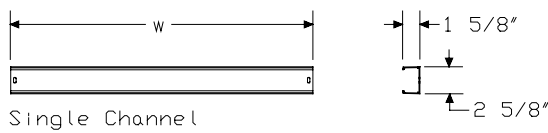
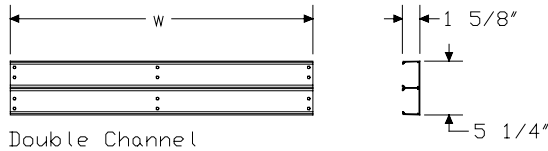
This aluminum rail attaches to 1 side of an equal-width module or support panel and provides 1 or 2 cable management channels. It cannot be used with an Action Office® Series 1 or 2 connector.

Notes

- Order connection components separately:
- Wire chase rail bridge (C1326. or C1327.) to connect across mid-run support panel or back side of 3-way connector
 - 90° inside corner wire chase rail (C1321. or C1322.) to connect around 90° inside corner

Order wire chase rail covers (C1315., C1316., C1317., or C1318.) and rail end cap (C1331. or C1332.) separately.
Receptacles must be customer supplied.

Dimensions



Specification Information

Step 1.

C131

Step 2. Type

3. double channel
4. single channel

Step 3. Width

- | | |
|-----------|--|
| 24 | 24" wide |
| 30 | 30" wide |
| 36 | 36" wide |
| 42 | 42" wide A |
| 48 | 48" wide |
| 60 | 60" wide |
| 72 | 72" wide |
| 96 | 96" wide |

Prices for Steps 1-3.

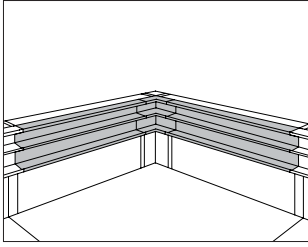
C1313. 24	\$99
30	\$126
36	\$161
42	\$186
48	\$197
60	\$247
72	\$295
96	\$392

C1314. 24	\$52
30	\$67
36	\$85
42	\$95
48	\$102
60	\$128
72	\$151
96	\$203

Step 4. Surface Finish

AN	clear anodized aluminum	+\$0
-----------	-------------------------	------

Wire Chase Rail, 90° Inside Corner C1321.
C1322.



Product Information

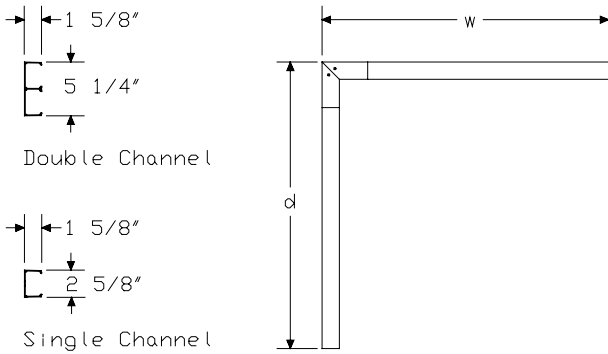
Description

This aluminum rail attaches to 2 modules or support panels at a 90° inside corner. It cannot be used with an Action Office® Series 1 or 2 connector.

Notes

Rail includes 2 6" mitered corner covers. Order wire chase rail covers to cover the remaining length of each rail (C1315., C1316., C1317., or C1318.) separately.

Dimensions



Specification Information

Step 1.

C132

Step 2. Type

1. double channel
2. single channel

Step 3. Width

- 24 24" wide
- 30 30" wide
- 48 48" wide

Step 4. Depth

For 24" wide (24)

- 24 24" deep
- 30 30" deep
- 48 48" deep

For 30" wide (30)

- 30 30" deep
- 48 48" deep

For 48" wide (48)

- 48 48" deep

Prices for Steps 1-4.

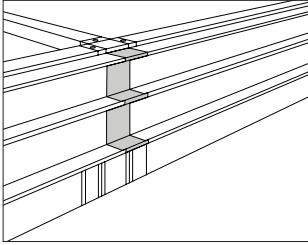
	24	30	48
C1321. 24	\$355	381	454
30	—	\$404	478
48	—	—	\$553
C1322. 24	\$238	255	293
30	—	\$267	305
48	—	—	\$343

Step 5. Surface Finish

- AN** clear anodized aluminum +\$0

Wire Chase Rail Bridge

C1326.
C1327.



Co/Struc® Structure

Product Information

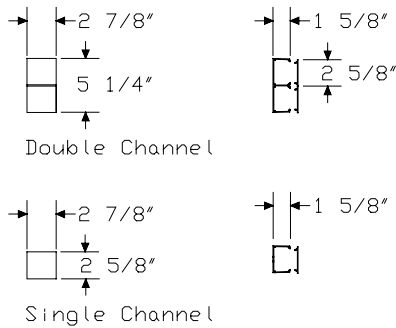
Description
This bridge joins wire chase rails across a mid-run support panel or on the back side of a 3-way 90° connector. It allows the continuation of a cable management channel and includes a blank cover. The bridge cannot be used with an Action Office® Series 1 or 2 connector.

Notes

Order 1 of the following products separately:

- 3-way 90° connector (C1231.)
- Mid-run support (C1272. or C1273.)

Dimensions



Specification Information

Step 1.

C132

Step 2. Type

- 6. double channel
- 7. single channel

Prices for Steps 1-2.

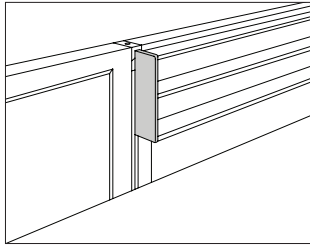
C1326.	\$95
C1327.	\$95

Step 3. Surface Finish

AN	clear anodized aluminum	+ \$0
-----------	-------------------------	-------

Wire Chase Rail End Cap

C1331.
C1332.

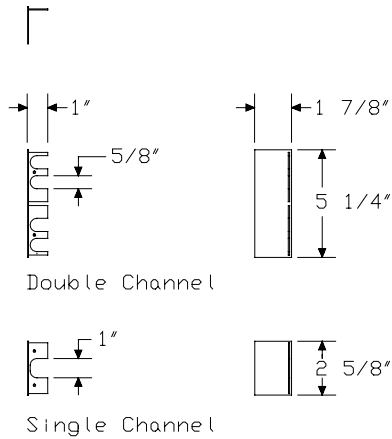


Product Information

Description

This end cap finishes the exposed end of a wire chase rail. Package contains 2.

Dimensions



Specification Information

Step 1.

C133

Step 2. Type

1. double channel
2. single channel

Prices for Steps 1-2.

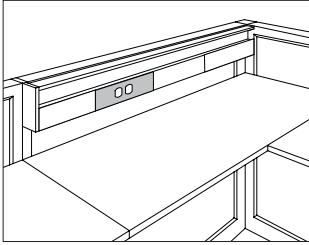
C1331.	\$86
C1332.	\$86

Step 3. Surface Finish

AN	clear anodized aluminum	+\$0
-----------	-------------------------	------

Wire Chase Rail Cover

C1315.
C1316.
C1317.
C1318.



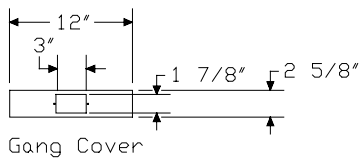
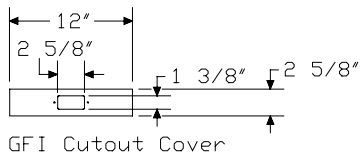
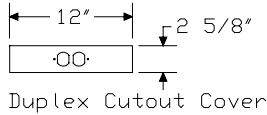
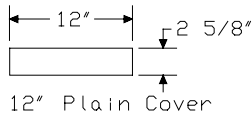
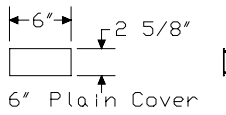
Co/Struc® Structure

Product Information

Description
This cover encloses a wire chase rail.

Notes
Specify type to cover wire chase rail's power and/or data outlets.
Specify covers in 6"- or 12"-wide increments to match rail width.

Dimensions



Specification Information

Step 1.
C131

Step 2. Type

- 5.06** 6"-wide plain cover
- 5.12** 12"-wide plain cover
- 6.** duplex cutout cover
- 7.** GFI cutout cover
- 8.** gang cover

Prices for Steps 1-2.

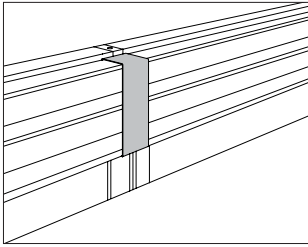
C1315.06	\$19
C1315.12	\$23
C1316.	\$26
C1317.	\$27
C1318.	\$27

Step 3. Surface Finish

AN	clear anodized aluminum	+\$0
-----------	-------------------------	------

Wire Chase Overlay

C1358.



Product Information

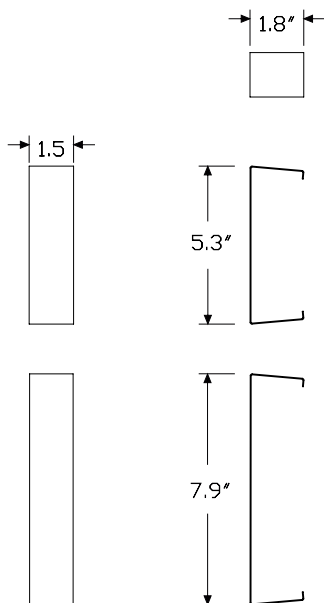
Description

This 1½"-wide cover wraps around the outside of a wire chase channel to cover gaps between adjoining channels and covers.

Notes

Order wire chase and covers separately.

Dimensions



Specification Information

Step 1.

C1358.

Step 2. Type

D double channel

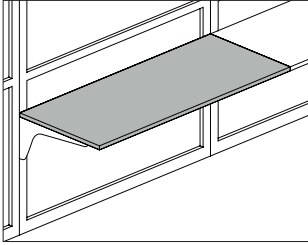
T triple channel

Prices for Steps 1-2.

C1358. D	\$27
T	\$40

Standard-Duty Work Surface

C2142.



Co/Struc® Work Surfaces

Product Information

Description

This work surface hangs from a panel, module, or wall strips and is available as laminate or solid surface. The work surface, when supported by work surface supports has a top-loading capacity of up to 200 pounds. The solid surface option, when supported by sink products has a top-loading capacity of 250 pounds. Appropriate sink products and work surface supports must be specified and ordered separately.

Notes

For laminate option (L), order standard duty work surface supports (C2140.S) separately.

For solid surface option (K), order 1 of the following products separately:

- ADA sink support, systems mounted (C2520.)
- Sink module (C2512.)
- Sink unit for storage (C2513.)
- Work surface support, standard duty (C2140.S)

Work surface with solid surface option (K) will not accept a storage case (C5040.) without storage case leg (C5050.).

To support a 30" deep work surface installed on wall strips, a storage case (C5040.) with storage case leg (C5050.) is required. Order separately.

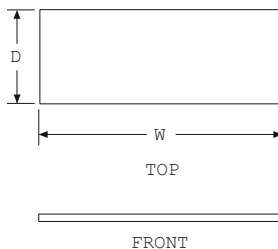
Work surface with solid surface option (K) has a matte gloss level and includes a backsplash.

When hanging work surface with laminate option (L) from wall strips, order recommended backsplash (C2910.) separately.

Order optional products separately:

- Drawer bearer package (CO228)
- Gripper package (CO266), for laminate (L) option only
- Keyboard/Mouse Support, Adjustable (Y7710.)
- Lockable drawer bearer (CO396)

Dimensions



Specification Information

Step 1.

C2142.

Step 2. Depth

24	24" deep
30	30" deep

Step 3. Width

24	24" wide
30	30" wide
36	36" wide
48	48" wide
60	60" wide
72	72" wide
96	96" wide

Step 4. Material

For 24" wide (24), 30" wide (30), 36" wide (36), 48" wide (48), or 60" wide (60)

L	laminate
K	solid surface

For 72" wide (72) or 96" wide (96)

L	laminate
----------	----------

Prices for Steps 1-4.

		L	K
C2142.	24 24	\$110	1397
	30	\$136	1623
	36	\$186	2036
	48	\$250	2304
	60	\$364	2758
	72	\$456	—
	96	\$587	—
	30 24	\$117	1565
	30	\$169	1816
	36	\$213	2276
	48	\$348	2566
	60	\$494	3069
	72	\$607	—
	96	\$727	—

Standard-Duty Work Surface

continued

Step 5. Finish

For laminate (L)

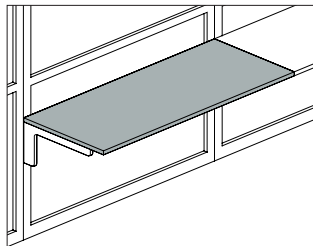
HF	inner tone light	+\$0
LT	light tone	+\$0
LU	soft white	+\$0
WN	warm grey neutral	+\$0

For solid surface (K)

1N	canyon	+\$0
CQ	glacier white	+\$0
QB	bisque	+\$0
1E	flint	+\$50
1S	savannah	+\$50
1U	sahara	+\$50
3I	mojave	+\$50
4I	sandstone	+\$50
IQ	aurora	+\$50
OQ	silt	+\$50
Q1	vanilla	+\$50
7I	raffia	+\$200
BLP	blue pebble	+\$200

Heavy-Duty Work Surface

C2141.



Co/Struc® Work Surfaces

Product Information

Description

This work surface is supported by heavy duty work surface supports, allowing it to hang from a panel, module, or wall strips. It has a top-loading capacity of up to 400 pounds. It can hold drawers and includes drawer bearers. Appropriate heavy duty work surface supports must be specified and ordered separately.

The work surface can be specified as laminate, Chemsurf®, stainless steel, Corian®, or phenolic resin. A 51"-wide surface has a 3" overhang on the left or right side to fill the gap created by a mid-run support, C-series 3-way connector, or interface connector. A 96"-wide surface includes 1 additional support bracket. The 24"-wide surface cannot accept components.

Notes

Order heavy duty work surface supports (C2140.H, C2140.W, C214.R) separately.

For stainless steel option (S), order 1 of the following products separately:

- Heavy duty work surface support, with component adaptor (C2140.W)
- Heavy duty work surface support, component adaptor ready (C2140.R)

Work surface with phenolic resin option (P) or Corian option (K) must use work surface supports (C2140.) heavy duty, with component adaptor (W) or heavy duty, component adaptor ready (R) options.

Finish color on phenolic resin option (P) is black.

Work surface with solid surface option (K) has a matte gloss level.

Work surface with phenolic resin option (P) or Corian option (K) includes a backsplash.

Work surface with phenolic resin option (P) is 1" thick and includes spacers for transitioning to adjacent, non-resin surfaces.

To support a 30" deep work surface installed on wall strips, a storage case (C5040.) with storage case leg (C5050.) is required. Order separately.

When hanging a work surface with laminate option (L) or Chemsurf® option (C) from wall strips, order recommended backsplash (C2910.) separately.

Work surface supports the following quantities of drawers, C frames, or storage cabinets:

- 24" wide: 1 drawer or 1 C frame
- 30", 36" wide: 1 drawer, 1 C frame or 1 storage cabinet
- 48", 51", and 60" wide: 2 drawers, 2 C frames, or 2 storage cabinets
- 72" wide: 3 drawers, 3 C frames, or 3 storage cabinets
- 96" wide: 4 drawers, 4 C frames, or 4 storage cabinets

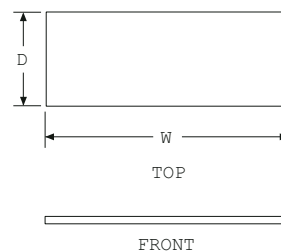
24"-wide work surface will not accept a storage case (C5040.) or storage unit (C5010.).

Work surface with phenolic resin option (P) or stainless steel option (S) will not accept a keyboard/mouse support, adjustable (Y7710.).

Order optional products separately:

- Drawer (CO207, CO208, or CO209)
- Keyboard tray (Y7710.), except for stainless steel (S) and phenolic resin (P) surfaces
- Pencil drawer (A0480.)
- Storage case (C5040.) and adapter rail (C1610.), except for phenolic resin (P) surfaces
- Storage unit (C5010.) and component adaptor (C2193.)

Dimensions



Heavy-Duty Work Surface *continued*

Specification Information

Step 1.

C2141.

Step 2. Depth

24 24" deep
30 30" deep

Step 3. Width

24 24" wide
30 30" wide
36 36" wide
48 48" wide
5L 51" wide, left overhang
5R 51" wide, right overhang
60 60" wide
72 72" wide
96 96" wide

Step 4. Material

For 24" wide (24), 30" wide (30), 36" wide (36), 48" wide (48), 60" wide (60), or 72" wide (72)

L laminate
C Chemsurf®
S stainless steel **A**
P phenolic resin
K corian

For 51" wide, left overhang (5L) or 51" wide, right overhang (5R)

L laminate
C Chemsurf®
S stainless steel **A**
P phenolic resin
K corian

For 96" wide (96)

L laminate
C Chemsurf®
S stainless steel **A**

Prices for Steps 1-4.

	L	C	S	P	K
C2141. 24 24	\$148	200	2021	716	1186
30	\$158	235	2175	846	1327
36	\$206	299	2598	976	1618
48	\$281	383	3103	1235	2182
5L	\$336	443	3380	1365	2477
5R	\$336	443	3380	1365	2477
60	\$391	494	4044	1430	2479
72	\$484	601	4615	1625	3063
96	\$618	753	5169	—	—
30 24	\$190	226	2276	780	1353
30	\$200	306	2568	976	1518
36	\$272	407	3267	1107	1836
48	\$366	518	3844	1430	2441
5L	\$381	534	4158	1625	2780
5R	\$381	534	4158	1625	2780
60	\$504	656	4935	1690	2773
72	\$618	784	5683	1949	3443
96	\$759	959	6067	—	—

Step 5. Finish

For laminate (L)

HF inner tone light +\$0
LT light tone +\$0
LU soft white +\$0
WN warm grey neutral +\$0

For Chemsurf® (C)

JD warm grey neutral Chemsurf® +\$0
KH light tone Chemsurf® +\$0
KR inner tone light Chemsurf® +\$0
LE soft white Chemsurf® +\$0

Co/Struc® Work Surfaces

Heavy-Duty Work Surface *continued*

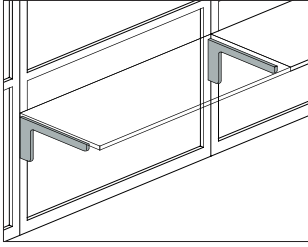
Co/Struc® Work Surfaces

For corian (K)

CQ	glacier white	+\$0
Q1	vanilla	+\$0
QB	bisque	+\$0
1N	canyon	+\$370
1S	savannah	+\$370
1U	sahara	+\$370
3I	mojave	+\$370
4I	sandstone	+\$370
IQ	aurora	+\$370
OQ	silt	+\$370
1E	flint	+\$740
7I	raffia	+\$740
BLP	blue pebble	+\$740

Work Surface Support

C2140.



Product Information

Description

This set of supports allows a standard- or heavy duty work surface to hang from a panel, module, or wall strips.

Notes

Supports for standard duty surfaces include the following:

Surface Width—Supports

24"-60" wide—2 supports (1 left and 1 right)

72" wide—3 supports (1 left, 1 middle, and 1 right)

96" wide—4 supports (1 left, 2 middle, and 1 right)

Supports for heavy duty surfaces include the following:

Surface Width—Supports

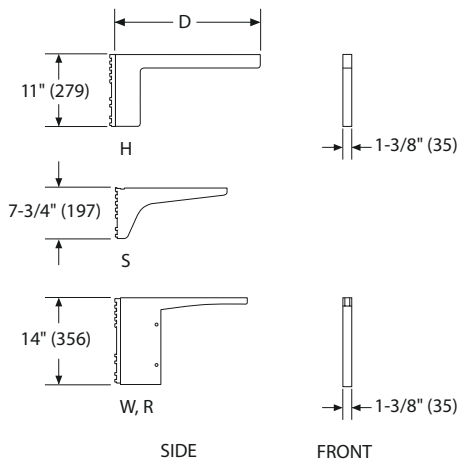
24"-72" wide—2 supports (1 left and 1 right)

96" wide—3 supports (1 left, 1 middle, and 1 right)

For standard duty option (S), order standard duty work surface (C2142.) separately.

For heavy duty options (H,W, or R), order appropriate heavy duty work surface (C2141.) separately.

Dimensions



Specification Information

Step 1.

C2140.

Step 2. Type

- S** standard duty
- H** heavy duty
- W** heavy duty, with component adaptor
- R** heavy duty, component adaptor ready

Step 3. Depth

- 24** for 24"-deep work surface
- 30** for 30"-deep work surface

Step 4. Width

- 24** 24" wide
- 30** 30" wide
- 36** 36" wide
- 48** 48" wide
- 60** 60" wide
- 72** 72" wide
- 96** 96" wide

Prices for Steps 1-4.

		24	30	36	48	60	72
C2140. S	24	\$153	153	153	153	153	229
	30	\$153	153	153	153	153	229
H	24	\$213	213	213	213	213	213
	30	\$228	228	228	228	228	228
W	24	\$385	410	432	454	496	540
	30	\$423	449	469	492	534	577
R	24	\$277	277	277	277	277	304
	30	\$314	314	314	314	314	347
							96
C2140. S	24						\$304
	30						\$304
H	24						\$319
	30						\$341
W	24						\$747
	30						\$804
R	24						\$455
	30						\$518

Co/Struc® Work Surfaces

Work Surface Support *continued*

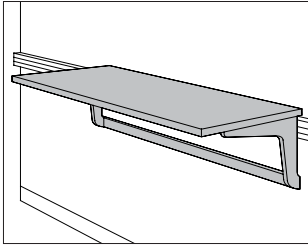
Step 5. Finish

HF	inner tone light	+\$0
LT	light tone	+\$0
LU	soft white	+\$0
WN	warm grey neutral	+\$0

Co/Struc® Work Surfaces

Rail-Hanging Work Surface

C2410.



Product Information

Description

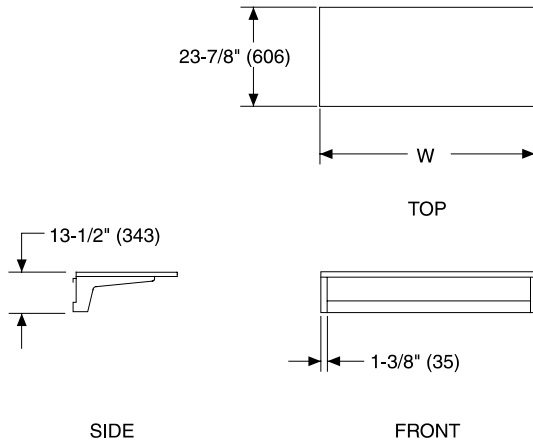
This 24"-deep rectangular work surface hangs on a standard rail. It has predrilled holes for hanging drawers, suspended pedestals, or keyboard trays. The work surface can be installed, relocated, or removed without tools and without disturbing other rail components. The support arm finish matches the surface finish.

Notes

Order optional work surface backsplash (C2910.) separately.

Order optional keyboard/mouse support, adjustable (Y7710.) separately.

Dimensions



Specification Information

Step 1.

C2410.24

Step 2. Width

48 48" wide

72 72" wide

Prices for Steps 1-2.

C2410.24 48	\$936
72	\$1159

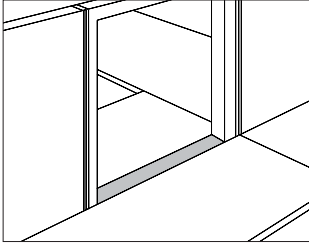
Step 3. Surface Finish

HF	inner tone light	+\$0
LT	light tone	+\$0
LU	soft white	+\$0
WN	warm grey neutral	+\$0

Co/Struc® Work Surfaces

Pass-Through Cover

C2399.

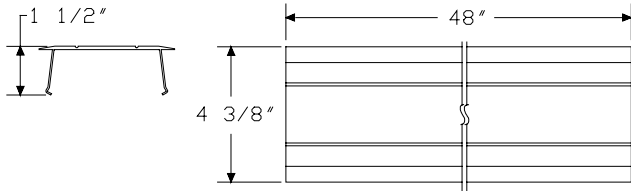


Co/Struc® Work Surfaces

Product Information

Description
 This cover provides a continuous surface for 2 back-to-back squared-edge work surfaces hung on an open panel frame. It is 48" wide but can be field cut to fit a narrower opening.

Dimensions



Specification Information

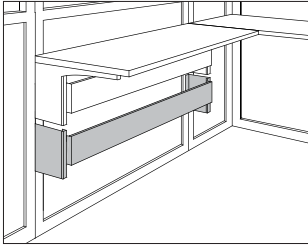
Step 1.
C2399.48 \$78

Step 2. Finish

BU	black umber	+\$0
HF	inner tone light	+\$0
LT	light tone	+\$0
LU	soft white	+\$0
WN	warm grey neutral	+\$0

C Frame Support

C2192.



Product Information

Description

This assembly attaches to a support panel, a module, or wall strips and provides support for a C frame and components hanging on the C frame.

Attachment hardware is included. Shipped knocked down.

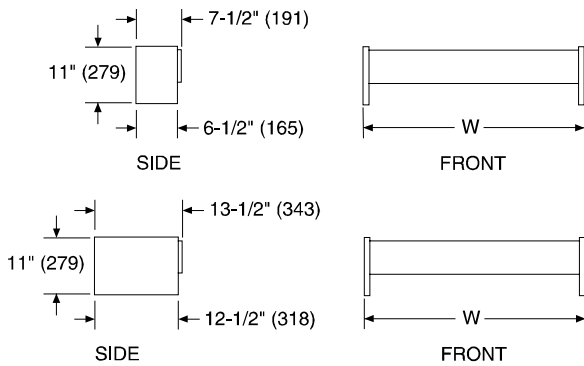
The assembly holds the following quantities of C frames:

- 24" and 30" wide: 1 C frame
- 48" and 60" wide: 2 C frames
- 72" wide: 3 C frames

Notes

For 51"-wide work surface, order 48"-wide C frame support.

Dimensions



Specification Information

Step 1.

C2192.

Step 2. Work Surface Depth

- 24** for 24"-deep work surface
- 30** for 30"-deep work surface

Step 3. Width

- 24** 24" wide
- 30** 30" wide
- 36** 36" wide
- 48** 48" wide
- 60** 60" wide
- 72** 72" wide

Prices for Steps 1-3.

	24	30	36	48	60	72
C2192. 24	\$573	578	585	590	595	600
30	\$631	672	676	681	688	694

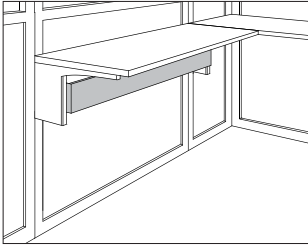
Step 4. Surface Finish

HF	inner tone light					+\$0
LT	light tone					+\$0
LU	soft white					+\$0
WN	warm grey neutral					+\$0

Co/Struc® Work Surfaces

Component Adapter Kit

C2193.



Co/Struc® Work Surfaces

Product Information

Description

This kit attaches to a heavy-duty work surface support and allows C frames to hang below the work surface. Attachment hardware is included.

The kit holds the following quantities of C frames or storage units:

- 24" wide: 1 C frame
- 30" wide: 1 C frame or storage unit
- 48" and 60" wide: 2 C frames or storage units
- 72" wide: 3 C frames or storage units
- 96" wide: 4 C frames or storage units

Notes

The kit attaches to a work surface support (C2140.) with heavy duty, component adapter ready option (R).

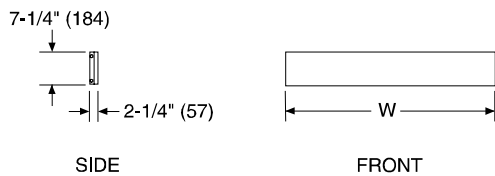
For 51"-wide work surface, order 48"-wide kit.

96"-wide kit is shipped in 2 pieces.

Order storage components separately:

- C frame (CO205)
- Storage unit (C5010.)

Dimensions



Specification Information

Step 1.

C2193.

Step 2. Width

24	24" wide
30	30" wide
48	48" wide
60	60" wide
72	72" wide
96	96" wide

Prices for Steps 1-2.

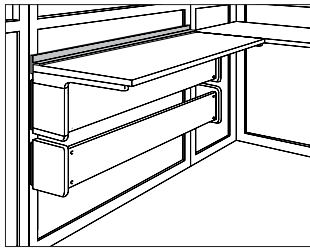
C2193. 24	\$155
30	\$185
48	\$232
60	\$279
72	\$328
96	\$420

Step 3. Surface Finish

HF	inner tone light	+\$0
LT	light tone	+\$0
LU	soft white	+\$0
WN	warm grey neutral	+\$0

Work Surface Backsplash

C2910.

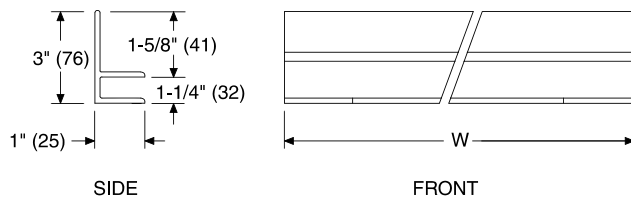


Product Information

Description

This plastic barrier attaches to the back edge of a C-series rectangular or corner work surface or to a process table and creates a backsplash. Package contains 6.

Dimensions



Specification Information

Step 1.

C2910.

Step 2. Width

72 72" wide

Prices for Steps 1-2.

C2910. 72 \$348

Step 3. Surface Finish

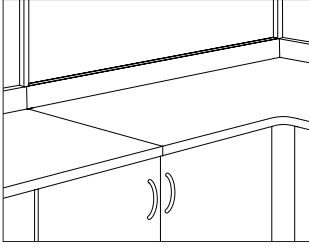
For 72" wide (72)

BK	black	+\$0
HF	inner tone light	+\$0
LT	light tone	+\$0
LU	soft white	+\$0
WN	warm grey neutral	+\$0

Co/Struc® Work Surfaces

Backsplash Filler

C2920.



Co/Struc® Work Surfaces

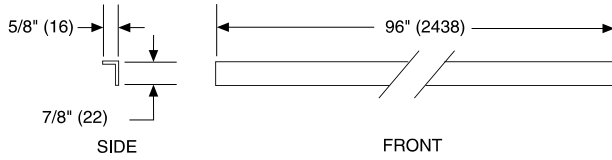
Product Information

Description
 This component attaches to a Casework work surface. It fills the gap created when Casework base cabinets are placed against terminal panels or wall strips. Package contains 6. Attachment hardware is included.

Notes

Order work surface (CG211. or CG212.) or corner work surface (CG218. or CG219.) separately.

Dimensions



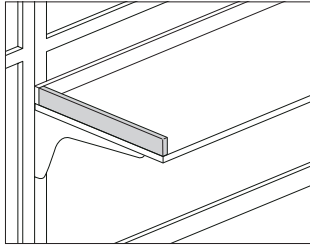
Specification Information

Step 1.
C2920.96 \$148

Step 2. Surface Finish

HF	inner tone light	+\$0
LT	light tone	+\$0
LU	soft white	+\$0
WN	warm grey neutral	+\$0

Work Surface Sidesplash, Resin C2930.



Product Information

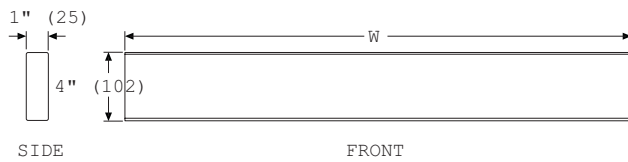
Description

This side splash attaches to a Co/Struc phenolic resin work surface. It is used at the end of a run or at a corner. The finish is available in black only.

Notes

Order phenolic work surface (C2141) separately.

Dimensions



Specification Information

Step 1.

C2930.

Step 2. Depth

24 24" deep

30 30" deep

Step 3. Material

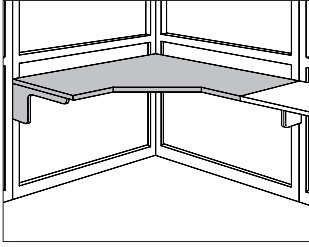
P phenolic resin

Prices for Steps 1-3.

	P
C2930. 24	\$331
30	\$356

Co/Struc® Work Surfaces

Heavy-Duty Corner Work Surface C2215.



Co/Struc® Work Surfaces

Product Information

Description

This 48"-wide work surface hangs from modules, C-series support panels, or wall strips and provides additional top-loading capacity. It includes 1 drawer bearer package. The work surface cannot attach to Action Office® Series 1 or Series 2 connectors. Attachment hardware is included.

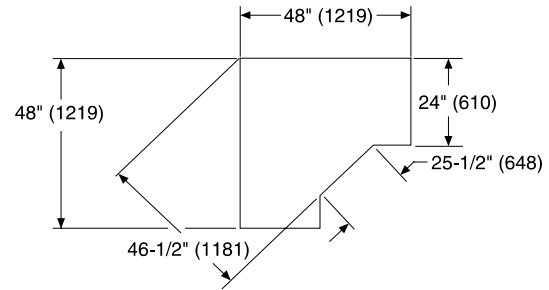
The work surface has a laminate or Chemsurf® top. The support arm finish matches the surface finish.

Notes

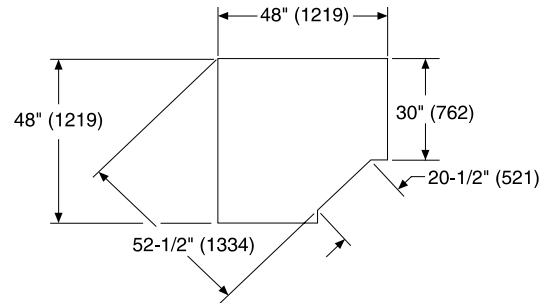
When hanging work surface from wall strips, order recommended work surface backsplash (C2910.) separately.

Order optional keyboard/mouse support, adjustable (Y7710.) separately.

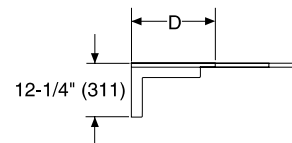
Dimensions



TOP



TOP



FRONT

Heavy-Duty Corner Work Surface

continued

Specification Information

Step 1.

C2215. A

Step 2. Depth

2448 24" deep A

3048 30" deep A

Prices for Steps 1-2.

C2215. 2448	\$767
3048	\$888

Step 3. Surface Finish

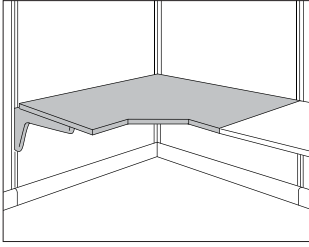
Laminate Top

	2448	3048
HF inner tone light <input type="checkbox"/> A	+\$0	0
LT light tone <input type="checkbox"/> A	+\$0	0
LU soft white <input type="checkbox"/> A	+\$0	0
WN warm grey neutral <input type="checkbox"/> A	+\$0	0

Chemsurf® Top

	2448	3048
JD warm grey neutral Chemsurf® <input type="checkbox"/> A	+\$167	194
KH light tone Chemsurf® <input type="checkbox"/> A	+\$167	194
KR inner tone light Chemsurf® <input type="checkbox"/> A	+\$167	194
LE soft white Chemsurf® <input type="checkbox"/> A	+\$167	194

Heavy-Duty Corner Work Surface, C2216.
Action Office® Series 1 or 2 90°
Corner Connector



Product Information

Description

This 48"-wide work surface hangs from panels or wall strips connected by an Action Office® Series 1 or 2 90° corner connector. It provides additional top-loading capacity and includes 1 drawer bearer package. The support arm finish matches the surface finish. The work surface cannot attach to a C-series 90° corner connector. Attachment hardware is included.

The work surface has a laminate or Chemsurf® top.

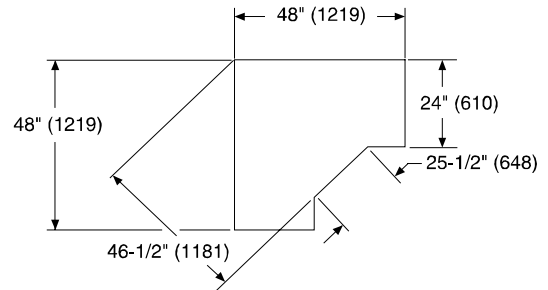
Notes

When hanging work surface from wall strips, order recommended work surface backplash (C2910.) separately.

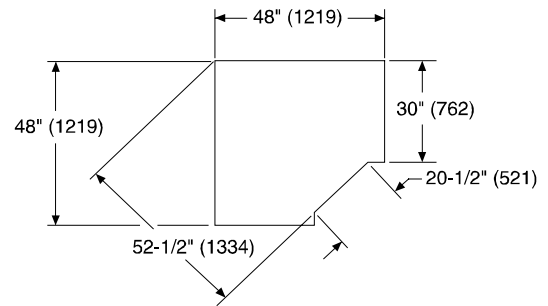
Order optional keyboard/mouse support, adjustable (Y7710.) separately.

Co/Struc® Work Surfaces

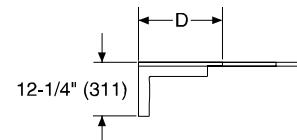
Dimensions



TOP



TOP



FRONT

Heavy-Duty Corner Work Surface,
 Action Office® Series 1 or 2 90°
 Corner Connector *continued*

Specification Information

Step 1.

C2216. A

Step 2. Depth

2448 24" deep A

3048 30" deep A

Prices for Steps 1-2.

C2216. 2448	\$767
3048	\$888

Step 3. Surface Finish

Laminate Top

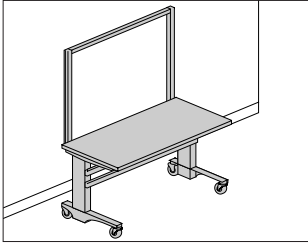
		2448	3048
HF	inner tone light <input type="checkbox"/> A	+\$0	0
LT	light tone <input type="checkbox"/> A	+\$0	0
LU	soft white <input type="checkbox"/> A	+\$0	0
WN	warm grey neutral <input type="checkbox"/> A	+\$0	0

Chemsurf® Top

		2448	3048
JD	warm grey neutral Chemsurf® <input type="checkbox"/> A	+\$167	194
KH	light tone Chemsurf® <input type="checkbox"/> A	+\$167	194
KR	inner tone light Chemsurf® <input type="checkbox"/> A	+\$167	194
LE	soft white Chemsurf® <input type="checkbox"/> A	+\$167	194

Workstation, Electric Height Adjustment

C4310.



Co/Struc® Work Surfaces

Product Information

Description

This 30"-deep height-adjustable table has a laminate or Chemsurf® top. The electrically driven assembly has a 15" travel range from 26½" to 41½". The table base is equipped with a motor, height-control box, and 8½' power cord. It has a load capacity of 400 pounds when weight is evenly distributed. The table is available with leveling glides or 4" casters with brakes. It is UL listed for the U.S. and Canada. Attachment hardware is included. Shipped knocked down.

A riser frame attaches to the table base to provide upright support for hanging components. The table includes 1 stretcher to support a C frame or storage unit. The 48"-wide workstation has 1 set of drawer bearers; 60"- and 72"-wide workstations have 2 sets of drawer bearers.

Notes

60"- and 72"-wide riser frames require a riser frame divider for overhead storage components. See Co/Struc Planning Guide for information.

Order storage components (to hang on stretcher) separately:

- B-style shelf (C0521.)
- C frame (C0205)
- Drawer (C0207, C0208, or C0209)
- Storage unit (C5010.)

Order workstation storage components separately:

- Reagent shelf (C4327.)

Order overhead components (to hang on riser frame) separately:

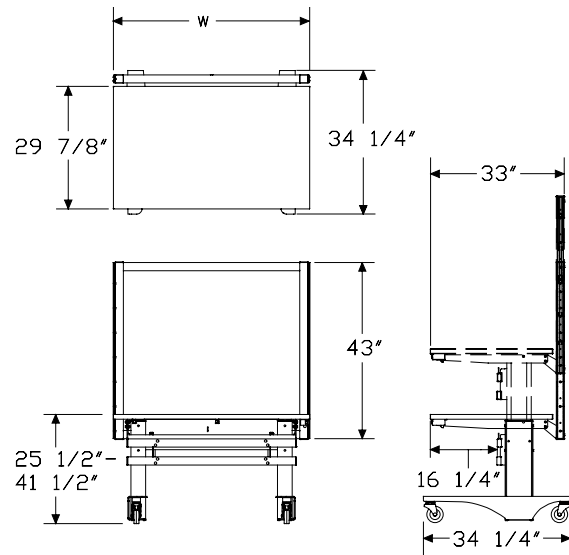
- B-style shelf (C3011.)
- Equipment rail (C1172.)
- Flat panel mount (C4324.)
- Marker board (C4323.)
- Power strip (C4322.)
- Riser frame divider (C4320.)
- Riser frame end cover (C4321.)
- Shelf unit (C5020. or C5021.)

Order Action Office® overhead components separately. See Co/Struc Planning Guide for information.

When specifying a Chemsurf® finish, the corresponding frame finish is as follows:

- For warm grey neutral Chemsurf (JD), warm grey neutral (WN) frame.
- For light tone Chemsurf (KH), light tone (LT) frame.
- For inner tone light Chemsurf (KR), inner tone light (HF) frame.
- For soft white Chemsurf (LE), soft white (LU) frame.

Dimensions

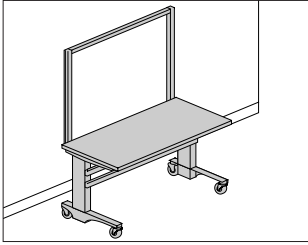


Workstation, Electric Height Adjustment *continued*

Specification Information			
Step 1.			
C4310.30			
Step 2. Width			
48	48" wide		
60	60" wide		
72	72" wide		
Step 3. Surface Material			
L	laminate		
C	Chemsurf®		
Prices for Steps 1-3.			
		L	C
C4310.30	48	\$6097	6381
	60	\$6178	6464
	72	\$6459	6744
Step 4. Casters/Glides			
GA	glides		+\$0
CA	casters		+\$370
Step 5. Top/Frame Finish			
<i>For laminate (L)</i>			
HF	inner tone light		+\$0
LT	light tone		+\$0
LU	soft white		+\$0
WN	warm grey neutral		+\$0
<i>For Chemsurf® (C)</i>			
JD	warm grey neutral Chemsurf®		+\$0
KH	light tone Chemsurf®		+\$0
KR	inner tone light Chemsurf®		+\$0
LE	soft white Chemsurf®		+\$0

Workstation, Manual Height Adjustment

C4311.



Co/Struc® Work Surfaces

Product Information

Description

This 30"-deep height-adjustable work station has a laminate or Chemsurf® top. It is pin adjustable in 1" increments and has a 15" travel range from 26½" to 41½". The table has a load capacity of 400 pounds when weight is evenly distributed. The table is available with leveling glides or 4" casters with brakes. It is UL listed for the U.S. and Canada. Attachment hardware is included. Shipped knocked down.

A riser frame attaches to the table base to provide upright support for hanging components. The table includes 1 stretcher to support a C frame or storage unit. The 48"-wide workstation has 1 set of drawer bearers; 60"- and 72"-wide workstations have 2 sets of drawer bearers.

Notes

60"- and 72"-wide riser frames require a riser frame divider for overhead storage components. See Co/Struc Planning Guide for information.

Order storage components (to hang on stretcher) separately:

- B-style shelf (C0521.)
- C frame (C0205)
- Drawer (C0207, C0208, or C0209)
- Storage unit (C5010.)

Order workstation storage components separately:

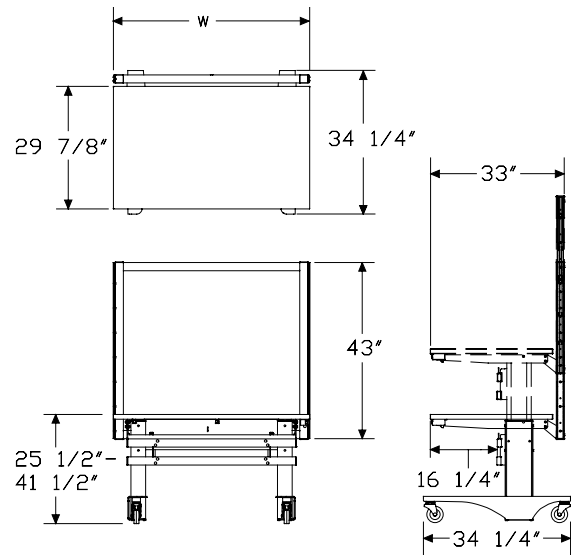
- Reagent shelf (C4327.)
- Order overhead components (to hang on riser frame) separately:
- Equipment rail (C1172.)
 - Flat panel mount (C4324.)
 - Marker board (C4323.)
 - Power strip (C4322.)
 - Riser frame divider (C4320.)
 - Riser frame end cover (C4321.)

Order Action Office® overhead components separately. See Co/Struc Planning Guide for information.

When specifying a Chemsurf® finish, the corresponding frame finish is as follows:

- For warm grey neutral Chemsurf (JD), warm grey neutral (WN) frame.
- For light tone Chemsurf (KH), light tone (LT) frame.
- For inner tone light Chemsurf (KR), inner tone light (HF) frame.
- For soft white Chemsurf (LE), soft white (LU) frame.

Dimensions



Workstation, Manual Height Adjustment *continued*

Specification Information

Step 1.
C4311.30

Step 2. Width

48	48" wide
60	60" wide
72	72" wide

Step 3. Surface Material

L	laminate
C	Chemsurf®

Prices for Steps 1-3.

		L	C
C4311.30	48	\$4635	4946
	60	\$4742	5051
	72	\$4962	5364

Step 4. Casters/Glides

GA	glides	+\$0
CA	casters	+\$370

Step 5. Top/Frame Finish

For laminate (L)

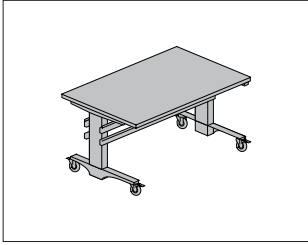
HF	inner tone light	+\$0
LT	light tone	+\$0
LU	soft white	+\$0
WN	warm grey neutral	+\$0

For Chemsurf® (C)

JD	warm grey neutral Chemsurf®	+\$0
KH	light tone Chemsurf®	+\$0
KR	inner tone light Chemsurf®	+\$0
LE	soft white Chemsurf®	+\$0

Work Table, Electric Height Adjustment

C4312.



Co/Struc® Work Surfaces

Product Information

Description

This 2-sided, 42"-deep height-adjustable table has a laminate or Chemsurf® top. The electrically driven assembly has a 15" travel range from 26½" to 41½". The table base is equipped with a motor, height-control box, and 8½' power cord. It has a load capacity of 400 pounds when weight is evenly distributed. The table is available with leveling glides or 4" casters with brakes. It is UL listed for the U.S. and Canada. Attachment hardware is included. Shipped knocked down.

The table includes 2 stretchers (one on each side) to support C frames and/or storage units. 48"- and 60"-wide tables have 4 sets of drawer bearers.

Notes

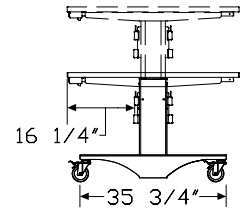
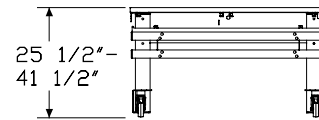
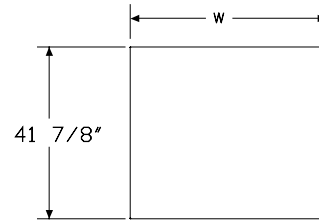
Order storage components separately:

- B-style shelf (CO521.)
- C frame (CO205)
- Drawer (CO207, CO208, or CO209)
- Storage unit (C5010.)

When specifying a Chemsurf® finish, the corresponding frame finish is as follows:

- For warm grey neutral Chemsurf (JD), warm grey neutral (WN) frame.
- For light tone Chemsurf (KH), light tone (LT) frame.
- For inner tone light Chemsurf (KR), inner tone light (HF) frame.
- For soft white Chemsurf (LE), soft white (LU) frame.

Dimensions

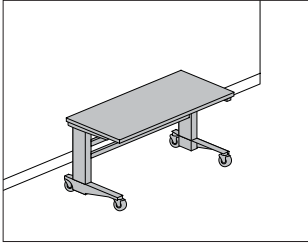


Work Table, Electric Height Adjustment *continued*

Specification Information			
Step 1.			
C4312.42			
Step 2. Width			
48	48" wide		
60	60" wide		
Step 3. Surface Material			
L	laminate		
C	Chemsurf®		
Prices for Steps 1-3.			
		L	C
C4312.42	48	\$5615	5910
	60	\$5792	6087
Step 4. Casters/Glides			
GA	glides		+ \$0
CA	casters		+ \$370
Step 5. Top/Frame Finish			
<i>For laminate (L)</i>			
HF	inner tone light		+ \$0
LT	light tone		+ \$0
LU	soft white		+ \$0
WN	warm grey neutral		+ \$0
<i>For Chemsurf® (C)</i>			
JD	warm grey neutral Chemsurf®		+ \$0
KH	light tone Chemsurf®		+ \$0
KR	inner tone light Chemsurf®		+ \$0
LE	soft white Chemsurf®		+ \$0

Process Table, Electric Height Adjustment

C4313.



Co/Struc® Work Surfaces

Product Information

Description
 This height-adjustable process table has a laminate or Chemsurf® top. The electrically driven assembly has a 15" travel range from 26½" to 41½". The table base is equipped with a motor, height-control box, and 8½' power cord. It has a load capacity of 400 pounds when weight is evenly distributed. The table is available with leveling glides or 3" locking casters. It is UL listed for the U.S. and Canada. Attachment hardware is included. Shipped knocked down.
 The table includes 1 stretcher to support a C frame or storage unit.

Notes

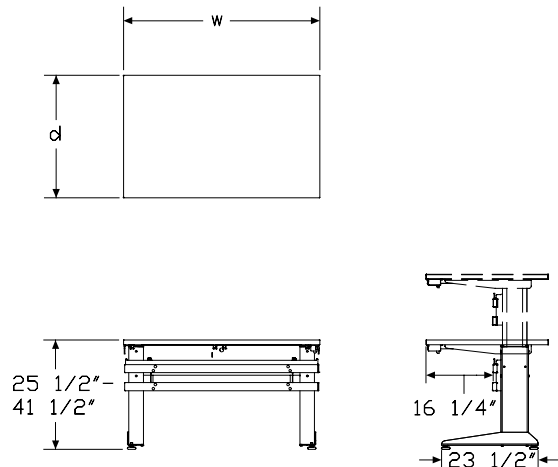
Order storage components separately:

- B-style shelf (CO521.)
- C frame (CO205)
- Drawer (CO207, CO208, or CO209)
- Reagent shelf (C4326.)
- Storage unit (C5010.)

When specifying a Chemsurf® finish, the corresponding frame finish is as follows:

- For warm grey neutral Chemsurf (JD), warm grey neutral (WN) frame.
- For light tone Chemsurf (KH), light tone (LT) frame.
- For inner tone light Chemsurf (KR), inner tone light (HF) frame.
- For soft white Chemsurf (LE), soft white (LU) frame.

Dimensions



Specification Information

Step 1.

C4313.

Step 2. Depth

24	24" deep
30	30" deep

Step 3. Width

48	48" wide
60	60" wide
72	72" wide

Step 4. Surface Material

L	laminate
C	Chemsurf®

Prices for Steps 1-4.

		L	C
C4313. 24 48		\$5385	5679
	60	\$5561	5854
	72	\$5796	6088
30 48		\$5486	5778
	60	\$5601	5894
	72	\$5831	6125

Step 5. Casters/Glides

GA	glides	+\$0
CA	casters	+\$310

Step 6. Top/Frame Finish

For laminate (L)

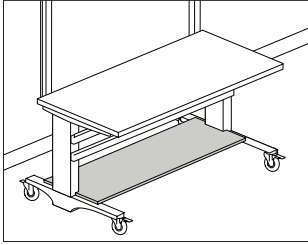
HF	inner tone light	+\$0
LT	light tone	+\$0
LU	soft white	+\$0
WN	warm grey neutral	+\$0

For Chemsurf® (C)

JD	warm grey neutral Chemsurf®	+\$0
KH	light tone Chemsurf®	+\$0
KR	inner tone light Chemsurf®	+\$0
LE	soft white Chemsurf®	+\$0

Reagent Shelf

C4326.
C4327.



Product Information

Description

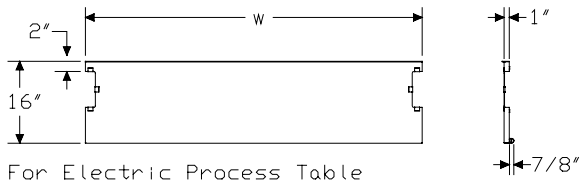
This metal shelf attaches to a workstation or process table to provide storage for reagents below the surface.

Notes

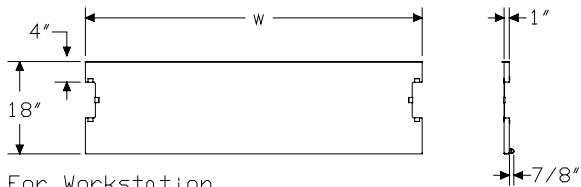
Order workstation (C4310. or 4311.) separately.

Order process table (C4313.) separately.

Dimensions



For Electric Process Table



For Workstation

Specification Information

Step 1.

C432

Step 2. Type

- 6. for electric process table
- 7. for workstation

Step 3. Depth

For electric process table (6.)

16 16" deep

For workstation (7.)

18 18" deep

Step 4. Width

- 48** 48" wide
- 60** 60" wide
- 72** 72" wide

Prices for Steps 1-4.

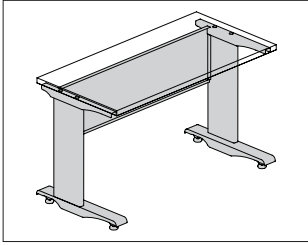
	48	60	72
C4326. 16	\$749	764	814
C4327. 18	\$784	800	853

Step 5. Finish

HF	inner tone light		+\$0
LT	light tone		+\$0
LU	soft white		+\$0
WN	warm grey neutral		+\$0

Basic Work Table Base

C460G.



Co/Struc® Work Surfaces

Product Information

Description

This freestanding table base is available at seated height (29" high) and standing height (36" high), has 2 C-legs, a steel modesty panel, and 1" adjustable glides. Base finishes come in both metallic and standard healthcare finishes. Work table surface and available reagent shelf are ordered separately. The table has a load capacity of 500 pounds when weight is evenly distributed. Shipped knocked down.

Notes

If casters are desired at initial purchase, Options is recommended as a solution to maintain 29" and 36" heights. Casters are also available as a service part if replacing glides with casters is desired in the future.

At lowest glide adjustment, actual height of table with glides and work surface is 28³/₄" for a 29" seated-height table base and 35³/₄" for a 36" standing-height table base. Actual height of table with casters and work surface is 31.4" for a 29" seated-height table base and 38.4" for a 36" standing-height table base. Order casters as a service part.

Clearance from front of table to modesty panel is 24¹/₄" for a 30"-deep work surface and 18¹/₄" for a 24"-deep work surface.

Order work table surface (C4700.) separately:

- 24" and 30" depths, and 48", 51" (left and right), and 60" widths are compatible with table bases 24" deep x 48" wide.
- 60" wide work table surface overhangs on center of a 48"-wide table base.
- 51" wide (left and right) work table surfaces overhang left or right of a 48"-wide table base.
- Order drawer bearers separately, with work table surface.

Order separately:

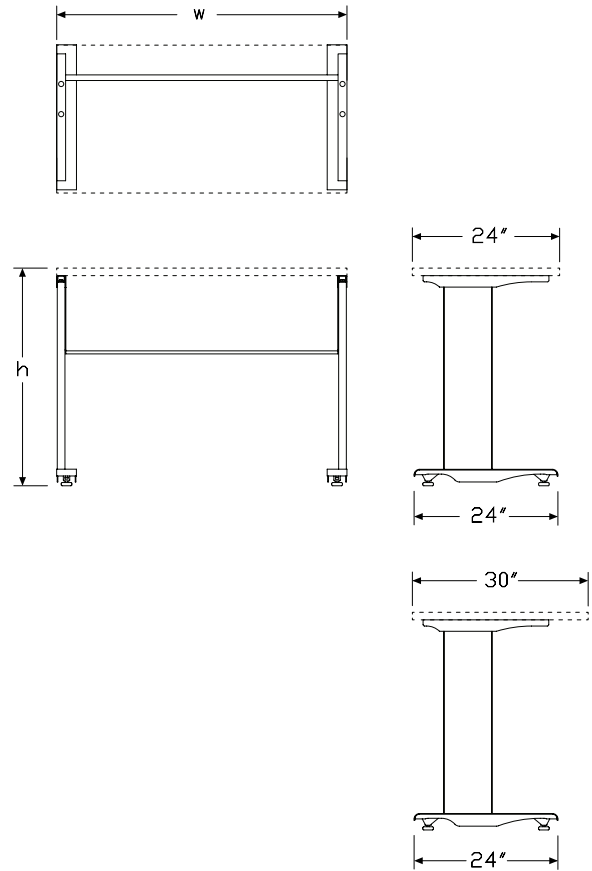
- Work table reagent shelf (C4900.).
- Cord cleat (G1331.).
- Cable management trough (A0382.).

To accommodate a refrigerator, a 36"-high table base is recommended.

Refrigerators 21.34" wide or less can be used with 1 set of adjacent drawer bearers for a 3" or 6" drawer (CO207, CO208) only.

Due to the nature of the paint for metallic finishes (CN, MS), the end finish is more prone to show a light blemish or texture change on the top of the table foot when light hits it directly. This is normal as a result of the metal transition from the weld underneath.

Dimensions



Basic Work Table Base *continued*

Specification Information

Step 1.

C460 A

Step 2. Glides

G. glides A

Step 3. Depth

24 24" deep A

Step 4. Width

48 48" wide A

Step 5. Height

29 29" high A

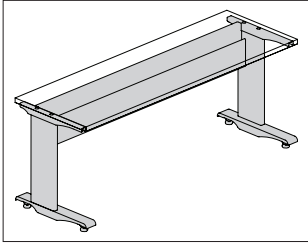
36 36" high A

Prices for Steps 1-5.

	29	36
C460G. 24 48	\$942	994

Step 6. Base/Modesty Panel Finish

HF inner tone light <input type="checkbox"/> A	+\$0
LT light tone <input type="checkbox"/> A	+\$0
LU soft white <input type="checkbox"/> A	+\$0
WN warm grey neutral <input type="checkbox"/> A	+\$0
CN metallic champagne <input type="checkbox"/> A	+\$20
MS metallic silver <input type="checkbox"/> A	+\$20



Product Information

Description

This freestanding table base is available at seated height (29" high) and standing height (36" high) and has stretchers to support C frames, drawers, and storage units. Table base comes with 1" adjustable glides. Base finishes come in both metallic and standard healthcare finishes. Work table surface and available reagent shelf are ordered separately. The table has a load capacity of 500 pounds when weight is evenly distributed. Shipped knocked down.

Notes

If casters are desired at initial purchase, Options is recommended as a solution to maintain 29" and 36" heights. Casters are also available as a service part if replacing glides with casters is desired in the future.

At lowest glide adjustment, actual height of table with glides and work surface is 28³/₈" for a 29" seated-height table base and 35³/₈" for a 36" standing-height table base. Actual height of table with casters and work surface is 31.4" for a 29" seated-height table base and 38.4" for a 36" standing-height table base.

Order work table surface (C4700.) separately:

- 24" deep × 36" wide base is only compatible with a 24" deep × 36" wide work table surface.
- 24" deep × 48" wide base is compatible with a 24" deep × 48", 51" (left and right), 60" wide work table surface.
- 24" deep × 72" wide base is only compatible with a 24" deep × 72" wide work table surface.
- 30" deep × 36" wide base is only compatible with a 30" deep × 36" wide work table surface.
- 30" deep × 48" wide base is compatible with a 30" deep × 48", 51" (left and right), 60" wide work table surface.
- 30" deep × 48S" wide base is only compatible with a 36" deep × 72" wide work table surface.
- 30" deep × 72" wide base is only compatible with a 30" deep × 72" wide work table surface.

60" wide work table surface (C4700.) overhangs on center of a 48"-wide table base.

51" wide (left and right) work table surfaces (C4700.) overhang left or right of a 48"-wide table base.

Order drawer bearers separately, with work table surface (C4700.).

Due to the nature of the paint for metallic finishes (CN, MS), the end finish is more prone to show a light blemish or texture change on the top of the table foot when light hits it directly. This is normal as a result of the metal transition from the weld underneath.

Order storage components separately:

- Drawer (CO207, CO208, CO209).
- Storage unit (C5010).
- Work table reagent shelf (C4900).
- C frame (CO205).

Maximum C frames or storage units using maximum number of stretchers and a 36"-high table base:

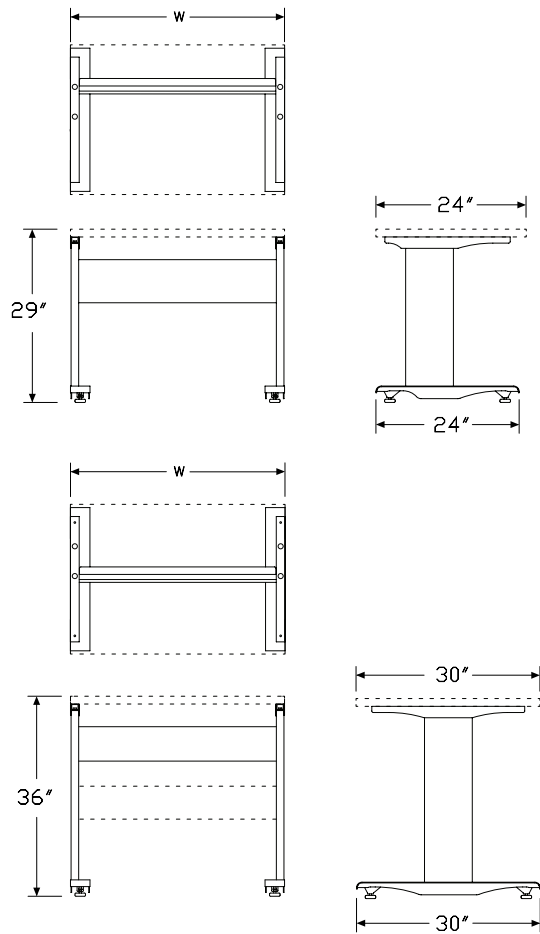
- For 36"-wide base: 2 C frames or 1 storage unit.
- For 48"-wide base: 4 C frames or 2 storage units.
- For 48S"-wide × 30"-deep base: 8 C frames (4 front/4 back) or 4 storage units.
- For 72"-wide base: 6 C frames or 3 storage units.

Order technology support and cord management accessories separately:

- Connect™ - S300 (Y1323.xxxxS).
- Flo® single-screen monitor arm (Y91171.CM).
- Flo plus monitor arm assembly (Y91174.xCM).
- Tablet support (Y91173.).
- Laptop mount (Y91177.).
- LE series keyboard solutions (Y7710.1).
- JAW™ adjustable CPU holder assembly (Y91103.).
- Cord cleat (G1331.).
- Cable management trough (AO382.).
- Cable trough (Y1200.).

Order Y1200.30 for a C461G.3036; order Y1200.42 for a C461G.3048.

Dimensions



Specification Information

Step 1.

C461 A

Step 2. Glides

G. glides A

Step 3. Depth

24 24" deep A

30 30" deep A

Step 4. Width

For 24" deep (24)

36 36" wide A

48 48" wide A

72 72" wide A

For 30" deep (30)

36 36" wide A

48 48" wide A

72 72" wide A

48S 48" wide, symmetrical support A

Step 5. Height

29 29" high A

36 36" high A

Step 6. Number of Stretchers

For 29" high (29)

A upper placement only A

For 36" high (36)

A upper placement only A

B upper and lower placement A

Prices for Steps 1-6.

	29A	36A	36B
C461G. 24 36	\$1064	1127	1312
48	\$1075	1140	1321
72	\$1165	1229	1494
30 36	\$1089	1150	1335
48	\$1102	1162	1346
72	\$1191	1255	1519
48S	\$1336	1446	1672

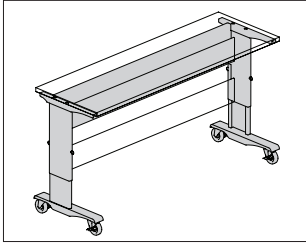
Standard Work Table Base *continued*

Co/Struc® Work Surfaces

Step 7. Base/Stretcher Finish		
HF	inner tone light <input type="checkbox"/> A	+\$0
LT	light tone <input type="checkbox"/> A	+\$0
LU	soft white <input type="checkbox"/> A	+\$0
WN	warm grey neutral <input type="checkbox"/> A	+\$0
CN	metallic champagne <input type="checkbox"/> A	+\$20
MS	metallic silver <input type="checkbox"/> A	+\$20

Adjustable Work Table Base

C462C.
C462G.



Product Information

Description

This freestanding 1" pin-adjustable table base has stretchers to support C frames, drawers, and storage units. Table base comes with 1" adjustable glides or 4" locking casters. Base finishes come in both metallic and standard healthcare finishes. Work table surface and available reagent shelf are ordered separately. The table has a load capacity of 500 pounds when weight is evenly distributed. Shipped knocked down.

Notes

Table with glides and work surface adjusts from 27" high to 36" high.

Table with casters adjusts from 30" high to 38" high.

Order work table surface (C4700.) separately:

- 24" deep x 36" wide base is only compatible with a 24" deep x 36" wide work table surface.
- 24" deep x 48" wide base is compatible with a 24" deep x 48", 51" (left and right), 60" wide work table surface.
- 24" deep x 72" wide base is only compatible with a 24" deep x 72" wide work table surface.
- 30" deep x 36" wide base is only compatible with a 30" deep x 36" wide work table surface.
- 30" deep x 48" wide base is compatible with a 30" deep x 48", 51" (left and right), 60" wide work table surface.
- 30" deep x 48S" wide base is only compatible with a 36" deep x 72" wide work table surface.
- 30" deep x 72" wide base is only compatible with a 30" deep x 72" wide work table surface.

60" wide work table surface (C4700.) overhangs on center of a 48"-wide table base.

51" wide (left and right) work table surfaces (C4700.) overhang left or right of a 48"-wide table base.

Order drawer bearers separately, with work table surface (C4700.).

Order storage components separately:

- Drawer (CO207, CO208, CO209).
- Storage unit (C5010).
- Work table reagent shelf (C4900).
- C frame (CO205).

Maximum C frames or storage units using maximum number of stretchers and a 36"-high table base:

- For 36"-wide base: 2 C frames or 1 storage unit.
- For 48"-wide base: 4 C frames or 2 storage units.
- For 48S"-wide x 30"-deep base: 8 C frames (4 front/4 back) or 4 storage units.
- For 72"-wide base: 6 C frames or 3 storage units.

For tables adjusted below 32" high, C frames hang from top stretcher only, and storage units cannot mount.

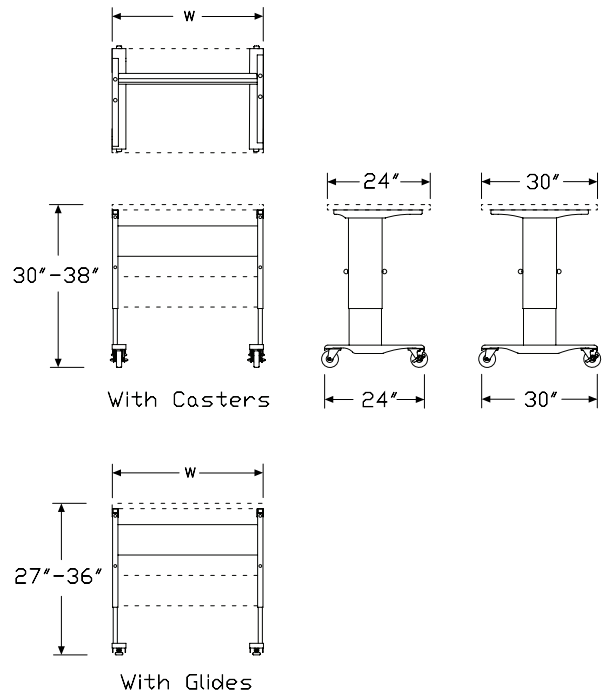
Due to the nature of the paint for metallic finishes (CN, MS), the end finish is more prone to show a light blemish or texture change on the top of the table foot when light hits it directly. This is normal as a result of the metal transition from the weld underneath.

Order technology support and cord management accessories separately:

- Connect™ - S300 (Y1323.xxxS).
- Flo® single-screen monitor arm (Y91171.CM).
- Flo plus monitor arm assembly (Y91174.xCM).
- Tablet support (Y91173.).
- Laptop mount (Y91177.).
- LE series keyboard solutions (Y7710.1).
- JAW™ adjustable CPU holder assembly (Y91103.).
- Cord cleat (G1331).
- Cable management trough (AO382.).
- Cable trough (Y1200.).

Order Y1200.30 for a C462x.3036; order Y1200.42 for a C462x.3048.

Dimensions



Adjustable Work Table Base

continued

Co/Struc® Work Surfaces

Specification Information

Step 1.

C462

Step 2. Casters/Glides

G. glides

C. casters

Step 3. Depth

24 24" deep

30 30" deep

Step 4. Width

For 24" deep (24)

36 36" wide

48 48" wide

72 72" wide

For 30" deep (30)

36 36" wide

48 48" wide

72 72" wide

48S 48" wide, symmetrical support

Step 5. Number of Stretchers

A upper placement only

B upper and lower placement

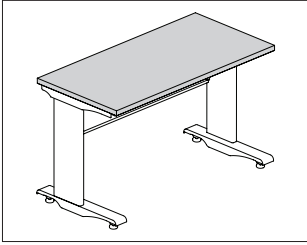
Prices for Steps 1-5.

	A	B
C462G. 24 36	\$1695	1886
48	\$1707	1899
72	\$1803	2079
30 36	\$1712	1901
48	\$1723	1914
72	\$1818	2094
48S	\$1970	2214
	A	B
C462C. 24 36	\$1762	1953
48	\$1773	1966
72	\$1870	2146
30 36	\$1777	1967
48	\$1790	1981
72	\$1885	2161
48S	\$2036	2280

Step 6. Base Finish

HF	inner tone light <input type="checkbox"/>	+\$0
LT	light tone <input type="checkbox"/>	+\$0
LU	soft white <input type="checkbox"/>	+\$0
WN	warm grey neutral <input type="checkbox"/>	+\$0
CN	metallic champagne <input type="checkbox"/>	+\$20
MS	metallic silver <input type="checkbox"/>	+\$20

Work Table Surface, Rectangular C4700.



Product Information

Description

This work table surface attaches to work table bases (C460G., C461G., C462G., C462C.). Predrilled holes accept drawer bearers ordered with the work surface. Surface material is available in laminate, Chemsurf®, Corian®, or phenolic resin.

Notes

Drawer bearers must be field installed.

Only used on work table bases C460G., C461G., C462G., C462C., ordered separately. See table base information for work surface compatibilities and top load weight capacities.

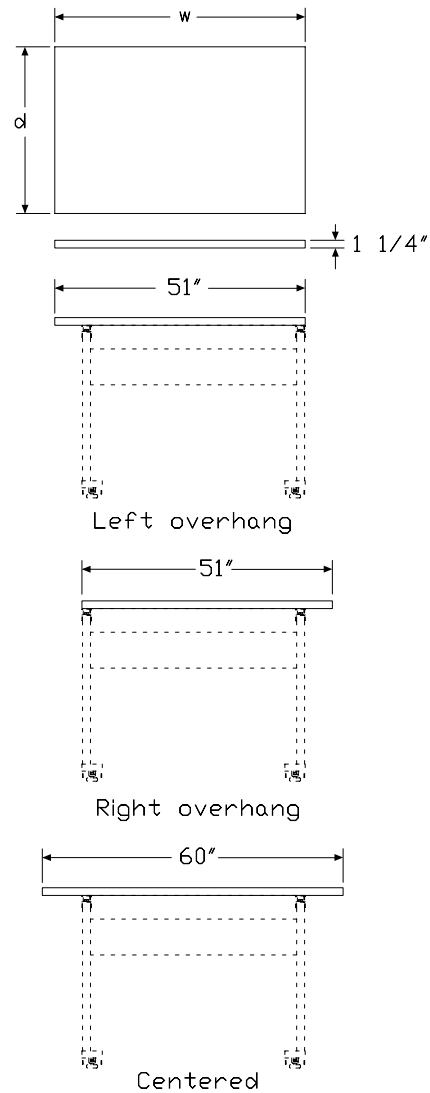
Work table surface supports the following maximum pairs of drawer bearers (each pair has 1 left and 1 right bearer):

- For 36"-wide table: 1 pair.
- For 48"-wide table: 2 pair.
- For 48S"-wide table: 4 pair (2 pair on either side).
- For 60"-wide table: 2 pair.
- For 72"-wide table: 3 pair.

Phenolic resin is 1" thick. When ordering adjustable work table base (C462C.) with phenolic resin top (C4700.xxxxP) that needs to be level with tables (C462C.) using laminate, Chemsurf, or Corian tops (C4700.L, C4700.K, C4700.C), order phenolic shim service part.

See Co/Struc® System planning guide for capacity information.

Dimensions



Co/Struc® Work Surfaces

Work Table Surface, Rectangular

continued

Co/Struc® Work Surfaces

Specification Information					
Step 1.					
C4700. <input type="checkbox"/>					
Step 2. Depth					
24	24" deep	<input type="checkbox"/>			
30	30" deep	<input type="checkbox"/>			
36	36" deep	<input type="checkbox"/>			
Step 3. Width					
<i>For 24" deep (24)</i>					
36	36" wide	<input type="checkbox"/>			
48	48" wide	<input type="checkbox"/>			
51L	51" wide, left overhang	<input type="checkbox"/>			
51R	51" wide, right overhang	<input type="checkbox"/>			
60	60" wide	<input type="checkbox"/>			
72	72" wide	<input type="checkbox"/>			
<i>For 30" deep (30)</i>					
36	36" wide	<input type="checkbox"/>			
48	48" wide	<input type="checkbox"/>			
51L	51" wide, left overhang	<input type="checkbox"/>			
51R	51" wide, right overhang	<input type="checkbox"/>			
60	60" wide	<input type="checkbox"/>			
72	72" wide	<input type="checkbox"/>			
<i>For 36" deep (36)</i>					
72	72" wide	<input type="checkbox"/>			
Step 4. Surface Material					
L	laminare	<input type="checkbox"/>			
C	Chemsurf®	<input type="checkbox"/>			
K	corian	<input type="checkbox"/>			
P	phenolic resin	<input type="checkbox"/>			
Prices for Steps 1-4.					
		L	C	K	P
C4700. 24 36		\$214	281	726	905
	48	\$233	306	909	1203
	51L	\$295	386	1092	1458
	51R	\$295	386	1092	1458
	60	\$303	395	1093	1460
	72	\$327	485	1278	1760

30 36	\$240	307	857	1116
48	\$269	336	1067	1480
51L	\$331	420	1286	1798
51R	\$331	420	1286	1798
60	\$327	483	1279	1791
72	\$370	517	1494	2159
36 72	\$491	802	1745	3299

Step 5. Top/Edge Finish

For laminate (L)		
HF	inner tone light	<input type="checkbox"/> +\$0
LT	light tone	<input type="checkbox"/> +\$0
LU	soft white	<input type="checkbox"/> +\$0
WN	warm grey neutral	<input type="checkbox"/> +\$0

For laminate (L)		
28	canyon	<input type="checkbox"/> +\$0
29	misted	<input type="checkbox"/> +\$0

For Chemsurf® (C)		
JD	warm grey neutral Chemsurf®	<input type="checkbox"/> +\$0
KH	light tone Chemsurf®	<input type="checkbox"/> +\$0
KR	inner tone light Chemsurf®	<input type="checkbox"/> +\$0
LE	soft white Chemsurf®	<input type="checkbox"/> +\$0

For corian (K)		
CQ	glacier white	<input type="checkbox"/> +\$0
Q1	vanilla	<input type="checkbox"/> +\$0
QB	bisque	<input type="checkbox"/> +\$0
1N	canyon	<input type="checkbox"/> +\$400
1S	savannah	<input type="checkbox"/> +\$400
1U	sahara	<input type="checkbox"/> +\$400
3I	mojave	<input type="checkbox"/> +\$400
4I	sandstone	<input type="checkbox"/> +\$400
IQ	aurora	<input type="checkbox"/> +\$400
OQ	silt	<input type="checkbox"/> +\$400
1E	flint	<input type="checkbox"/> +\$525
7I	raffia	<input type="checkbox"/> +\$525
BLP	blue pebble	<input type="checkbox"/> +\$525

For phenolic resin (P)		
BK	black	<input type="checkbox"/> +\$0

Work Table Surface, Rectangular

continued

Step 6. Pairs of Drawer Bearers

For 36" wide (36)

NB	without drawer bearers	A	+\$0
1D	1 pair drawer bearers	A	+\$15

For 48" wide (48), 51" wide, left overhang (51L), 51" wide, right overhang (51R), or 60" wide (60)

NB	without drawer bearers	A	+\$0
1D	1 pair drawer bearers	A	+\$15
2D	2 pair drawer bearers	A	+\$30

For 24" deep (24) or 30" deep (30) with 72" wide (72)

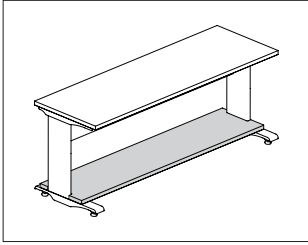
NB	without drawer bearers	A	+\$0
1D	1 pair drawer bearers	A	+\$15
2D	2 pair drawer bearers	A	+\$30
3D	3 pair drawer bearers	A	+\$45

For 36" deep (36) with 72" wide (72)

NB	without drawer bearers	A	+\$0
1D	1 pair drawer bearers	A	+\$15
2D	2 pair drawer bearers	A	+\$30
3D	3 pair drawer bearers	A	+\$45
4D	4 pair drawer bearers	A	+\$60

Work Table Reagent Shelf

C4900.



Co/Struc® Work Surfaces

Product Information

Description

This high-pressure laminate shelf attaches to work table bases to provide storage below the surface.

Notes

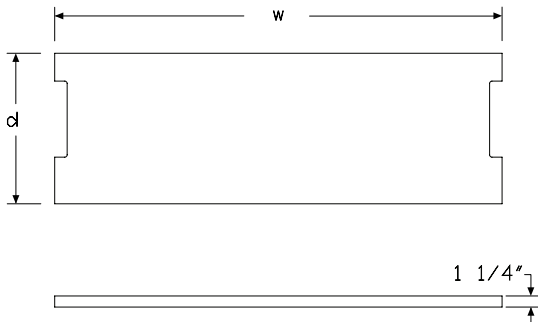
Compatible with basic work table base (C460G.), standard work table base (C461G.xxxxxxA), and adjustable work table base with upper stretcher placement only (C462x.xxxxxxA).

Compatible only with 36"-high table bases, due to installation clearance needed.

16" deep shelf (C4900.16) is compatible with 24"- and 30"-deep table bases. 18" deep shelf (C4900.18) is compatible with only 30"-deep table bases.

Order warm grey neutral (WN) reagent shelf finish to complement a metallic champagne (CN) table base. Order cool grey neutral (CL) reagent shelf finish to complement a metallic silver (MS) table base. Reagent shelf (C4900.) rests on table base legs and is not height adjustable.

Dimensions



Specification Information

Step 1.

C4900. A

Step 2. Depth

16 16" deep A

18 18" deep A

Step 3. Width

36 36" wide A

48 48" wide A

72 72" wide A

Step 4. Surface Material

L laminate A

Prices for Steps 1-4.

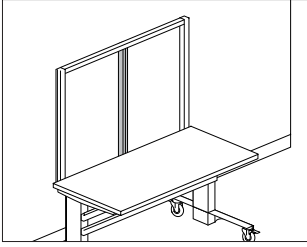
	L
C4900. 16 36	\$376
48	\$425
72	\$615
18 36	\$395
48	\$443
72	\$635

Step 5. Top/Edge Finish

HF inner tone light <input type="checkbox"/> A	+\$0
LT light tone <input type="checkbox"/> A	+\$0
LU soft white <input type="checkbox"/> A	+\$0
WN warm grey neutral <input type="checkbox"/> A	+\$0
CL cool grey neutral <input type="checkbox"/> A	+\$0

Riser Frame Divider

C4320.



Product Information

Description

This piece divides a workstation riser frame into smaller sections and provides upright riser support for hanging components. The dividers bolt to the riser frame at predrilled attachment locations. Finish is black.

Notes

Order workstation (C4310. or C4311.) separately.

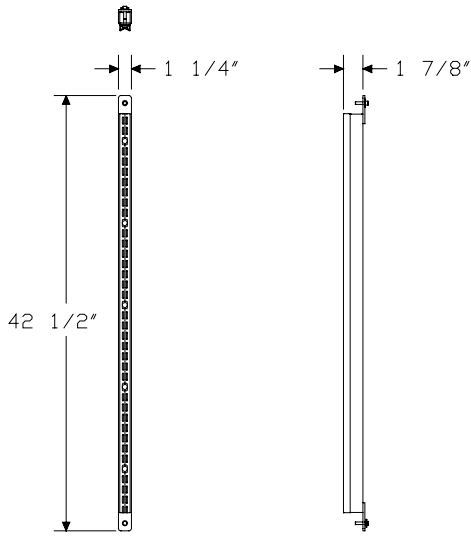
Dimensions

Specification Information

Step 1.

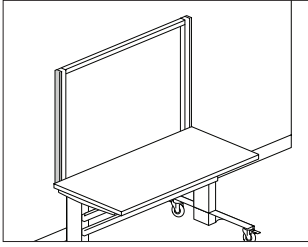
C4320.

\$346



Riser Frame End Cover

C4321.



Co/Struc® Work Surfaces

Product Information

Description

This metal cover finishes the exposed hardware on the end of a riser frame.

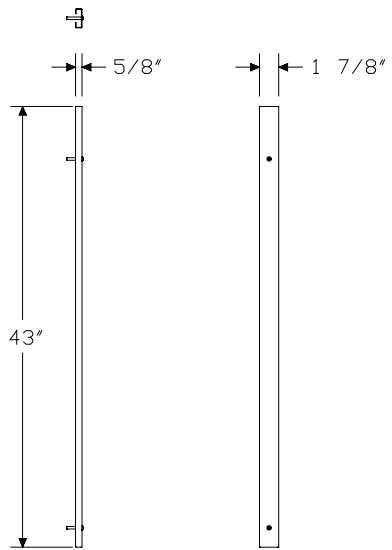
Notes

Specify 2 end covers per riser frame.

Specify end cover finish to match the corresponding finish of workstation (C4310. or C4311.) to which cover will be attached.

Order workstation (C4310. or C4311.) separately.

Dimensions



Specification Information

Step 1.

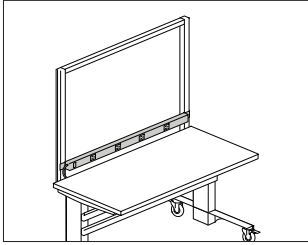
C4321. \$90

Step 2. Finish

HF	inner tone light	+\$0
LT	light tone	+\$0
LU	soft white	+\$0
WN	warm grey neutral	+\$0

Power Strip

C4322.



Product Information

Description

This power strip mounts horizontally on hanger clips and provides single-circuit, 15-amp, 100-volt outlets on a riser frame. It has a lighted on/off switch with circuit breaker and an 8' cord. It is UL listed.

Mounting hardware is included.

Power strips have the following number of outlets:

Width—Outlets

24" — 4 outlets

30" — 5 outlets

36" — 6 outlets

48" — 8 outlets

60" — 10 outlets

72" — 12 outlets

Notes

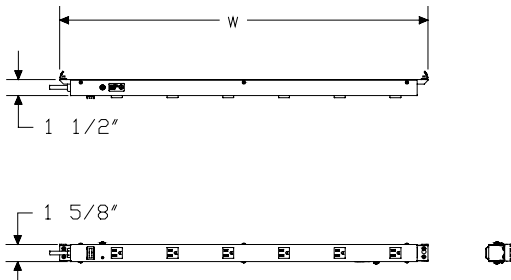
To mount power strip inside riser frame (vertically), specify 36" width.

Specify power strip finish to match the corresponding finish of workstation (C4310. or C4311.) to which it will be attached.

Order workstation (C4310. or C4311.) separately.

For lab modules (C1112., C1114.) and support panels (C1150., C1151.), power strip can be specified as part of the product.

Dimensions



Specification Information

Step 1.

C4322.

Step 2. Width

24	24" wide
30	30" wide
36	36" wide
48	48" wide
60	60" wide
72	72" wide

Prices for Steps 1-2.

C4322. 24	\$387
30	\$416
36	\$446
48	\$460
60	\$519
72	\$549

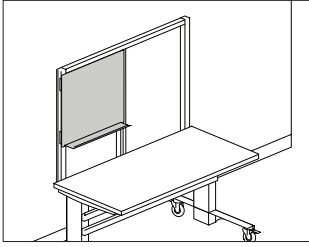
Step 3. Finish

HF	inner tone light	+\$0
LT	light tone	+\$0
LU	soft white	+\$0
WN	warm grey neutral	+\$0

Co/Struc® Work Surfaces

Marker Board

C4323.



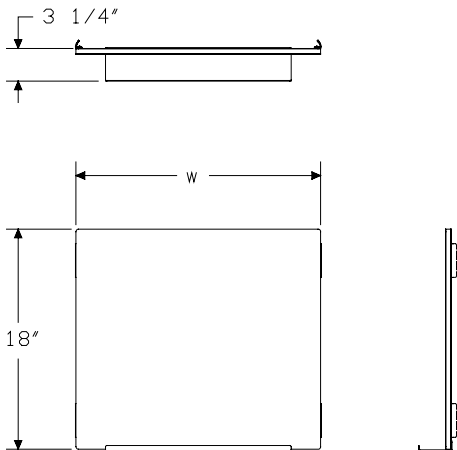
Co/Struc® Work Surfaces

Product Information

Description
 This 2-sided white board mounts between 2 riser frame dividers or a riser frame and a riser frame divider. Both sides are magnetic with white erasable writing surfaces. Includes a black-texture marker tray on one side only. Mounting hardware is included.

Notes
 Order workstation (C4310. or C4311.) separately.

Dimensions



Specification Information

Step 1.

C4323.

Step 2. Width

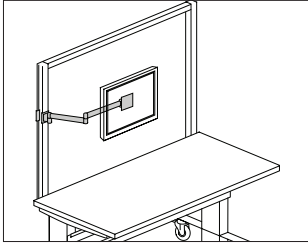
24	24" wide
30	30" wide
36	36" wide

Prices for Steps 1-2.

C4323. 24	\$335
30	\$371
36	\$395

Flat Panel Mount

C4324.



Product Information

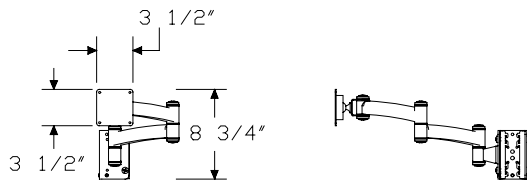
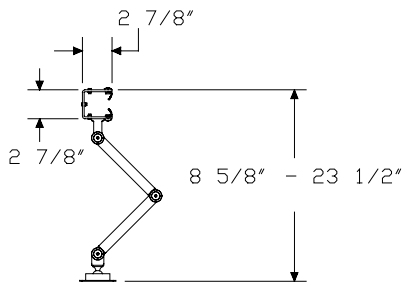
Description

This arm mounts to a workstation riser frame and holds a flat panel display monitor. The arm meets VESA standards (Video Electronic Standards Association - Mounting Interface Standards) with a 100 mm or 75 mm mounting pattern. It provides 360° monitor rotation and 60° horizontal and vertical tilt range. Finish is black. Mounting hardware is included. Finish is black.

Notes

Order workstation (C4310. or C4311.) separately.

Dimensions



Specification Information

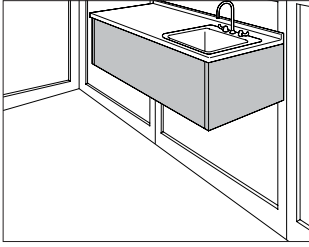
Step 1.

C4324.

\$503

Sink Module

C2512.



Co/Struc® Work Surfaces

Product Information

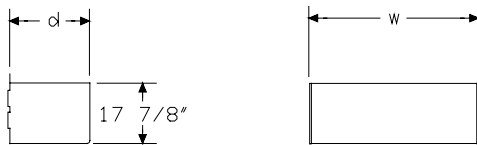
Description
 This component hangs from a module, a support panel, or wall strips and holds a 12"-high sink. It includes a front panel and side panels to conceal the bottom of the sink and left and right work surface supports. Attachment hardware is included. Shipped knocked down.
 The module accepts the following cutout dimensions:

- Depth:**
- 24": 18¹/₄"-deep maximum cutout
 - 30": 24¹/₄"-deep maximum cutout
- Width:**
- 24": 19⁵/₈"-wide maximum cutout
 - 30": 25⁵/₈"-wide maximum cutout
 - 48": 43⁵/₈"-wide maximum cutout
 - 60": 55⁵/₈"-wide maximum cutout

Notes

Sink must be customer supplied and field installed.
 Order standard duty work surface (C2142.) with solid surface option (K) separately.

Dimensions



Specification Information

Step 1.

C2512.

Step 2. Depth

24	24" deep
30	30" deep

Step 3. Width

24	24" wide
30	30" wide
36	36" wide
48	48" wide
60	60" wide

Prices for Steps 1-3.

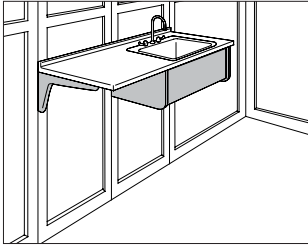
	24	30	36	48	60
C2512. 24	\$510	595	625	654	712
30	\$607	712	750	783	878

Step 4. Surface Finish

91	white	+\$0
HF	inner tone light	+\$0
LT	light tone	+\$0
LU	soft white	+\$0
WN	warm grey neutral	+\$0
HM	natural maple	+\$0
76	light brown walnut	+\$0
HX	aged cherry	+\$0

Sink Unit for Storage

C2513.



Product Information

Description

This 24"-deep, 48"-wide structure hangs from 2 24"-wide panels or freestanding modules or from 3 wall strips. It supports drawer storage on the left or right side and a sink unit on the other side. The maximum cutout for the sink is 18¹/₄" deep × 19⁵/₈" wide. The surface includes a front panel and side panels to conceal the bottom of the sink and left and right work surface supports. Attachment hardware is included. Shipped knocked down.

Notes

Order storage components for open space opposite sink unit separately:

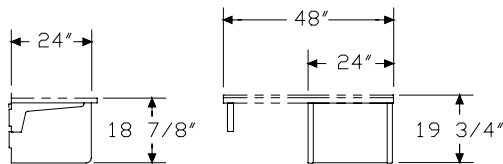
- Drawer bearers (C0228 or C0396)
- Drawer caddy with casters (C0692. or C0693.)
- Gripper package (C0266) and C frame (C0205) for Co/Struc® drawers
- L cart (C0212) and single counter top (C0555) for C frames and drawers when surface is mounted 38" above floor
- Storage case (C5040.2422) and 24"-wide Co/Struc adapter rail (C1610.24)

Sink must be customer supplied and field installed.

Storage unit (C5010.) cannot mount under sink unit.

Order standard duty work surface (C2142.) with solid surface option (K) separately.

Dimensions



Specification Information

Step 1.

C2513.24 \$611

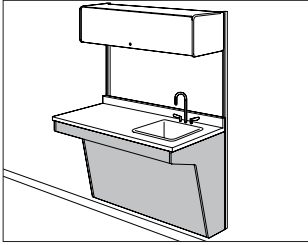
Step 2. Surface Finish

HF	inner tone light	+\$0
LT	light tone	+\$0
LU	soft white	+\$0
WN	warm grey neutral	+\$0
91	white	+\$75

Co/Struc® Work Surfaces

ADA Sink Support, Systems Mounted

C2520.



Co/Struc® Work Surfaces

Product Information

Description

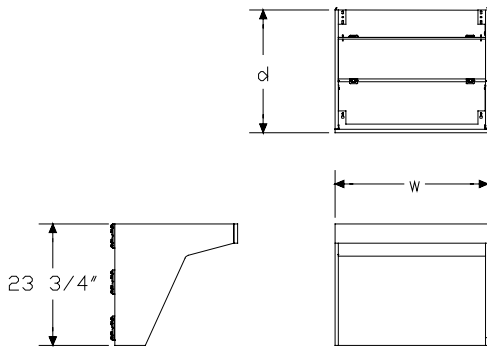
This sink support hangs from a module or wall strips. It supports a 5½"-deep sink and a solid surface or alternative material top. The sink support has a 4"-high laminate front trim and a removable front panel to allow access to plumbing. Attachment hardware is included. Shipped knocked down.

Notes

Order standard duty work surface (C2142.) with solid surface option (K) separately.

Sink must be customer supplied and field installed. A Just SL-ADA-1921-A-GR sink, with drain located in rear center, fits in a 24" x 24" sink support.

Dimensions



Specification Information

Step 1.

C2520.

Step 2. Depth

24	24" deep
30	30" deep

Step 3. Width

24	24" wide
30	30" wide
48	48" wide
60	60" wide

Prices for Steps 1-3.

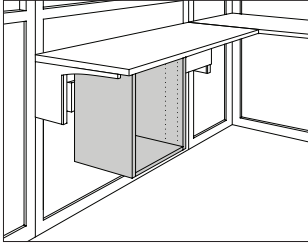
	24	30	48	60
C2520. 24	\$967	1088	1208	1329
30	\$1027	1147	1329	1450

Step 4. Surface Finish

91	white	+\$120
HF	inner tone light	+\$0
LT	light tone	+\$0
LU	soft white	+\$0
WN	warm grey neutral	+\$0
HM	natural maple	+\$120
76	light brown walnut	+\$120
HX	aged cherry	+\$120
OG	honey maple	+\$180

Storage Unit

C5010.



Product Information

Description

This cabinet hangs below a heavy-duty work surface or process table. It has 2 side panels, a back panel, and a top and bottom panel.

Notes

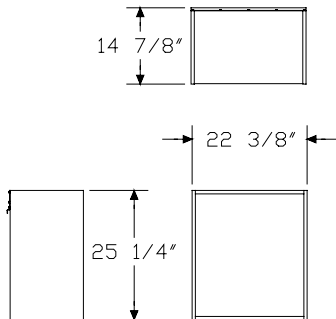
Order heavy-duty work surface (C2141), process table (C4313.), standard work table base (C461G.), adjustable lab work table base (C462G., C462C.), work table (C4312.), or workstation (C4310. or C4311.) separately.

Order shelves (C5015.1622) separately; shelves adjust in 1 1/4" increments.

Order A-size drawers (CO207) or B-size drawers (CO208) and lockable drawer bearer (C5048.) separately.

Order storage unit door (C5016. or C5017.) separately.

Dimensions



Specification Information

Step 1.

C5010.1622 \$616

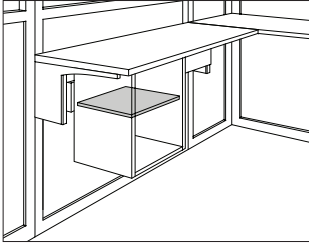
Step 2. Surface Finish

HF	inner tone light	+\$0
LT	light tone	+\$0
LU	soft white	+\$0
WN	warm grey neutral	+\$0
76	light brown walnut	+\$60
91	white	+\$60
HM	natural maple	+\$60
HX	aged cherry	+\$60
OG	honey maple	+\$90

Co/Struc® Storage

Storage Unit Shelf

C5015.

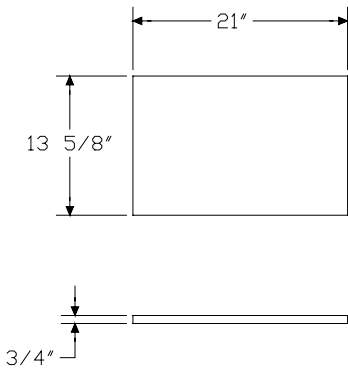


Product Information

Description
This shelf mounts inside a storage unit and adjusts in 1/4" increments.

Notes
Order storage unit (C5010.) separately.

Dimensions



Specification Information

Step 1.
C5015.1622 \$177

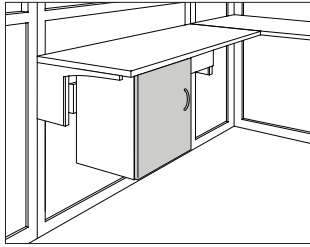
Step 2. Surface Finish

HF	inner tone light	+\$0
LT	light tone	+\$0
LU	soft white	+\$0
WN	warm grey neutral	+\$0
76	light brown walnut	+\$15
91	white	+\$15
HM	natural maple	+\$15
HX	aged cherry	+\$15
OG	honey maple	+\$25

Co/Struc® Storage

Storage Unit Door

C5016.
C5017.



Product Information

Description

This door attaches to the front of a storage unit. Attachment hardware is included.

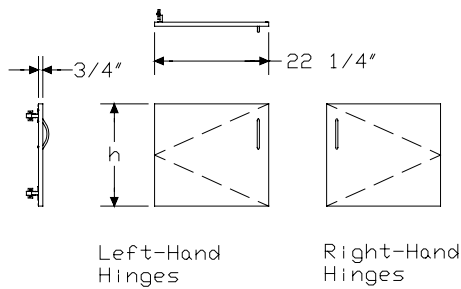
Notes

Co/Struc® drawers cannot be specified behind doors.

When specifying 19"- or 22"-high lockable door that has drawers above it, specify interior filler (C5009) to prevent access to cabinet below.

For general information on locks, see Keyed-Alike Information in Appendices.

Dimensions



Specification Information

Step 1.

C501

Step 2. Hinge Location

- 6. left-hand hinges
- 7. right-hand hinges

Step 3. Height

- 1922** 19" high
- 2222** 22" high
- 2522** 25" high

Step 4. Lock

- N** no lock
- L** keyed differently
- K** keyed alike

Prices for Steps 1-4.

		N	L	K
C5016.	1922	\$229	284	284
	2222	\$262	318	318
	2522	\$306	361	361
C5017.	1922	\$229	284	284
	2222	\$262	318	318
	2522	\$306	361	361

Step 5. Surface Finish

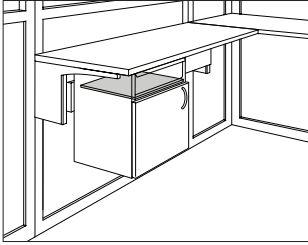
HF	inner tone light	+\$0
LT	light tone	+\$0
LU	soft white	+\$0
WN	warm grey neutral	+\$0
76	light brown walnut	+\$30
91	white	+\$30
HM	natural maple	+\$30
HX	aged cherry	+\$30
OG	honey maple	+\$45

Step 6. Pull Option/Finish

NN	none	+\$0
BK	black	+\$0
NH	brushed nickel	+\$0

Interior Filler

C5009.



Product Information

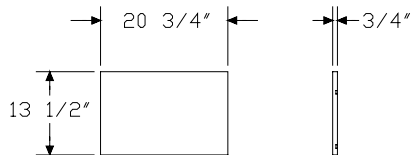
Description

This filler mounts inside a storage unit and provides closure to the cabinet below when Co/Struc drawers are installed. It mounts at either 19" or 22" high.

Notes

Order storage unit (C5010.) separately.
 Filler is used with A-size drawers (CO207) or B-size drawers (CO208).

Dimensions



Specification Information

Step 1.

C5009.1622 \$177

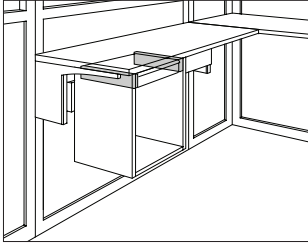
Step 2. Surface Finish

HF	inner tone light	+\$0
LT	light tone	+\$0
LU	soft white	+\$0
WN	warm grey neutral	+\$0
76	light brown walnut	+\$15
91	white	+\$15
HM	natural maple	+\$15
HX	aged cherry	+\$15
OG	honey maple	+\$25

Co/Struc® Storage

Lockable Drawer Bearer

C5048.



Product Information

Description

These drawer bearers attach Co/Struc® A-, B-, or C-size drawers in a storage unit. They have integral stops to prevent drawers from falling when pulled out. Mounting hardware is included. Finish is black. Package contains 1 pair.

Notes

Order A-size drawers (CO207), B-size drawers (CO208), or C-size drawers (CO209) separately.
Can be used with locking or non-locking drawers.

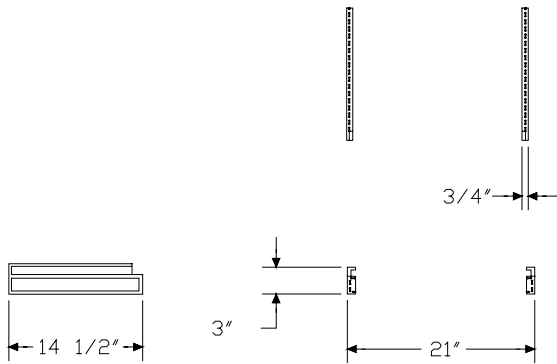
Dimensions

Specification Information

Step 1.

C5048.

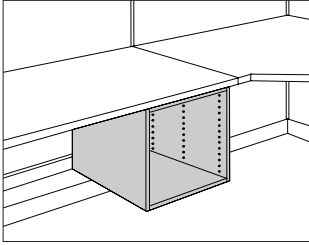
\$75



Co/Struc® Storage

Storage Case

C5040.



Co/Struc® Storage

Product Information

Description
 This case mounts under a heavy-duty rectangular or corner work surface. It has 2 side panels, a back panel, and a top and bottom panel. Interior components can be height adjusted in 1/4" increments.

Notes

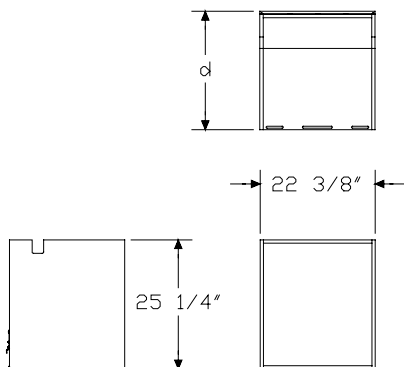
Order heavy-duty work surface (C2141.) or heavy-duty corner work surface (C2215. or C2216.) separately.
 To support case mounted under rectangular work surface, order adapter rail (C1610.). To support case mounted under corner work surface, order corner storage case rail (C1611.) separately.

Order optional products separately:

- Storage case bottle drawer (C5045.)
- Storage case door (C5052. or C5053.)
- Storage case drawer (C5043. or C5044.)
- Storage case pullout shelf (C5042.)
- Storage case shelf (C5041.)

For top slot of case, specify 16"-deep drawer or shelf to clear support beam under heavy-duty work surface.

Dimensions



Specification Information

Step 1.

C5040.

Step 2. Depth

2422	23" deep
3022	29" deep

Prices for Steps 1-2.

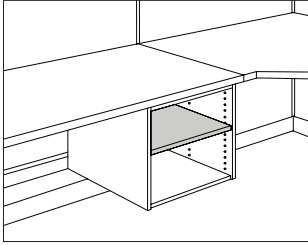
C5040. 2422	\$697
3022	\$767

Step 3. Surface Finish

HF	inner tone light	+\$0
LT	light tone	+\$0
LU	soft white	+\$0
WN	warm grey neutral	+\$0
76	light brown walnut	+\$70
91	white	+\$70
HM	natural maple	+\$70
HX	aged cherry	+\$70
OG	honey maple	+\$105

Storage Case Shelf

C5041.



Product Information

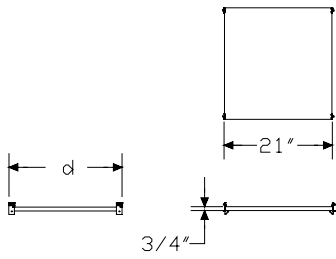
Description

This shelf mounts inside a storage case and adjusts in 1 1/4" increments.

Notes

To clear support beam on heavy-duty work surface, shelf must be positioned at least 2 1/2" below the surface.

Dimensions



Specification Information

Step 1.

C5041.

Step 2. Depth

2422 23" deep

3022 29" deep

Prices for Steps 1-2.

C5041. 2422	\$200
3022	\$211

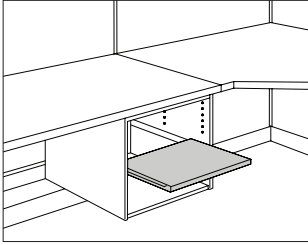
Step 3. Surface Finish

HF	inner tone light	+\$0
LT	light tone	+\$0
LU	soft white	+\$0
WN	warm grey neutral	+\$0
76	light brown walnut	+\$20
91	white	+\$20
HM	natural maple	+\$20
HX	aged cherry	+\$20
OG	honey maple	+\$30

Co/Struc® Storage

Storage Case Pullout Shelf

C5042.

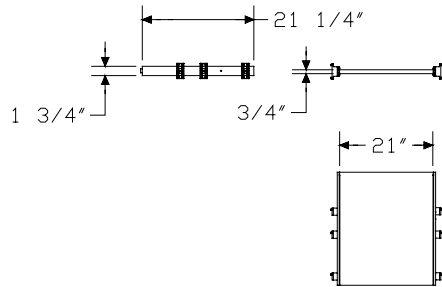


Product Information

Description
 This pullout shelf is 21 1/4" deep and mounts inside a storage case. It adjusts in 1/4" increments.

Notes
 To clear support beam on heavy-duty work surface, shelf must be positioned at least 2 1/2" below the surface.

Dimensions



Specification Information

Step 1.
C5042.2422 \$299

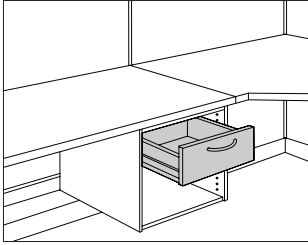
Step 2. Surface Finish

HF	inner tone light	+\$0
LT	light tone	+\$0
LU	soft white	+\$0
WN	warm grey neutral	+\$0
76	light brown walnut	+\$30
91	white	+\$30
HM	natural maple	+\$30
HX	aged cherry	+\$30
OG	honey maple	+\$45

Co/Struc® Storage

Storage Case Drawer

C5043.
C5044.



Product Information

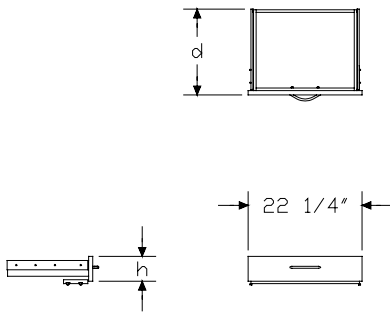
Description

This drawer mounts inside a storage case and is available with or without a lock. The 22"-deep drawer cannot be used in the top position of a storage case.

Notes

For general information on locks, see Keyed-Alike Information in Appendices.

Dimensions



Specification Information

Step 1.

C504

Step 2. Depth

- 3.** 16" deep
- 4.** 22" deep

Step 3. Height

For 16" deep (3.)

- 0422** small, 5" high
- 0822** medium, 7¹/₂" high

For 22" deep (4.)

- 0422** small, 5" high
- 0822** medium, 7¹/₂" high
- 1222** large, 10" high

Step 4. Lock

- N** no lock
- L** keyed differently
- K** keyed alike

Prices for Steps 1-4.

	N	L	K
C5043. 0422	\$259	428	428
0822	\$324	489	489
C5044. 0422	\$284	374	374
0822	\$340	504	504
1222	\$359	522	522

Step 5. Surface Finish

HF	inner tone light	+\$0
LT	light tone	+\$0
LU	soft white	+\$0
WN	warm grey neutral	+\$0
76	light brown walnut	+\$40
91	white	+\$40
HM	natural maple	+\$40
HX	aged cherry	+\$40
OG	honey maple	+\$60

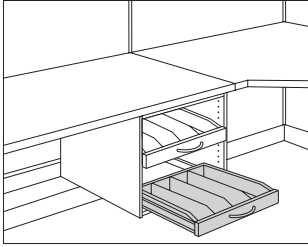
Storage Case Drawer *continued*

Step 6. Pull Option/Finish		
NN	none	+\$0
BK	black	+\$0
NH	brushed nickel	+\$0

Co/Struc® Storage

Storage Case Bottle Drawer

C5045.

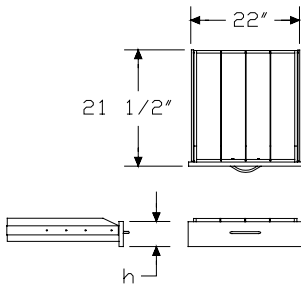


Product Information

Description

This pullout drawer mounts in a storage case and has a partial-height front for easy access to contents. It includes 3 dividers.

Dimensions



Specification Information

Step 1.

C5045.

Step 2. Height

0822 5" high

1222 7 1/2" high

Prices for Steps 1-2.

C5045. 0822	\$609
1222	\$649

Step 3. Surface Finish

HF	inner tone light	+\$0
LT	light tone	+\$0
LU	soft white	+\$0
WN	warm grey neutral	+\$0
76	light brown walnut	+\$60
91	white	+\$60
HM	natural maple	+\$60
HX	aged cherry	+\$60
OG	honey maple	+\$90

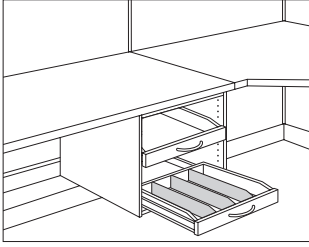
Step 4. Pull Option/Finish

NN	none	+\$0
BK	black	+\$0
NH	brushed nickel	+\$0

Co/Struc® Storage

Bottle Drawer Divider

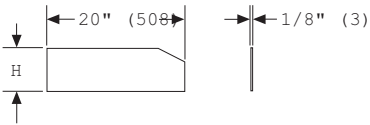
C5049.



Product Information

Description
 This divider fits inside a storage case bottle drawer. Finish is soft white.
 Package contains 3.

Dimensions



Specification Information

Step 1.
C5049.

Step 2. Height

- 0824** 5 1/4" high
- 1224** 9 1/8" high

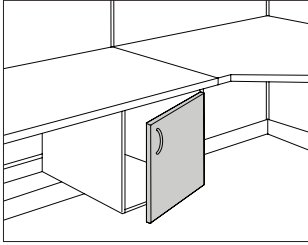
Prices for Steps 1-2.

C5049. 0824	\$77
1224	\$94

Co/Struc® Storage

Storage Case Door

C5052.
C5053.



Product Information

Description

This door attaches to the front of a storage case. Attachment hardware is included.

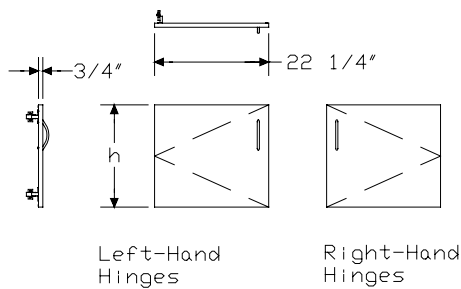
Notes

Co/Struc® storage case drawers and storage case bottle drawers cannot be specified behind doors.

When specifying 17"- or 20"-high lockable door that has drawers above it, specify storage case shelf (C5041.) to prevent access to cabinet below.

For general information on locks, see Keyed-Alike Information in Appendices.

Dimensions



Specification Information

Step 1.

C505

Step 2. Hinge Location

2. left-hand hinges
3. right-hand hinges

Step 3. Height

- 1722** 17" high
2022 20" high
2522 25" high

Step 4. Lock

- N** no lock
L keyed differently
K keyed alike

Prices for Steps 1-4.

	N	L	K
C5052. 1722	\$214	268	268
2022	\$231	286	286
2522	\$292	347	347
C5053. 1722	\$214	268	268
2022	\$231	286	286
2522	\$292	347	347

Step 5. Surface Finish

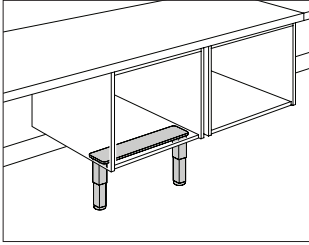
91	white		+\$30
HF	inner tone light		+\$0
LT	light tone		+\$0
LU	soft white		+\$0
WN	warm grey neutral		+\$0
HM	natural maple		+\$30
76	light brown walnut		+\$30
HX	aged cherry		+\$30
OG	honey maple		+\$45

Step 6. Pull Option/Finish

NN	none		+\$0
BK	black		+\$0
NH	brushed nickel		+\$0

Storage Case Leg

C5050.



Product Information

Description
 This leg supports a storage case mounted under a heavy-duty work surface. It provides support when the work surface holds heavy loads. The legs adjust in 1/2" increments to allow a work surface height of 34" to 38". Leg finish is medium tone.

Notes

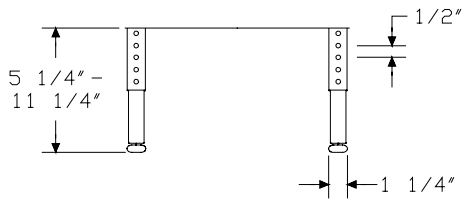
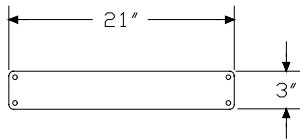
Order storage case (C5040.) separately.

Dimensions

Specification Information

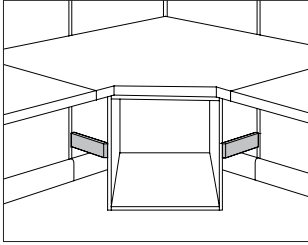
Step 1.
C5050. \$170

Co/Struc® Storage



Storage Case Rail, Corner

C1611.



Product Information

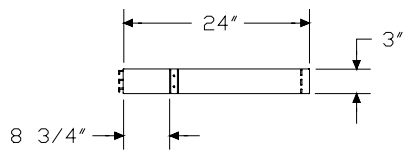
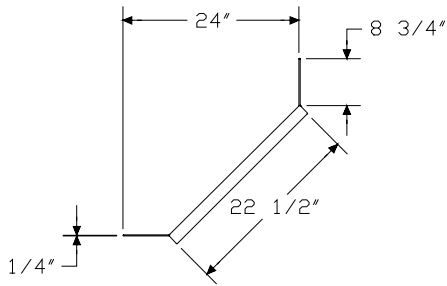
Description

This support rail attaches to wall strips or to 24"-wide panels or modules joined by an Action Office® Series 1 or 2 corner connector or a C-series corner connector. It supports a storage case hung from a 48"-wide, 24"-or 30"-deep heavy-duty corner work surface.

Notes

Order storage case (C5040.) separately.

Dimensions



Specification Information

Step 1.

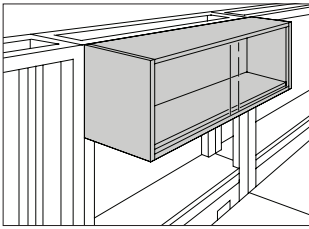
C1611.48 \$230

Step 2. Surface Finish

HF	inner tone light	+\$0
LT	light tone	+\$0
LU	soft white	+\$0
WN	warm grey neutral	+\$0

Co/Struc® Storage

Storage Unit with Sliding Doors C5014.

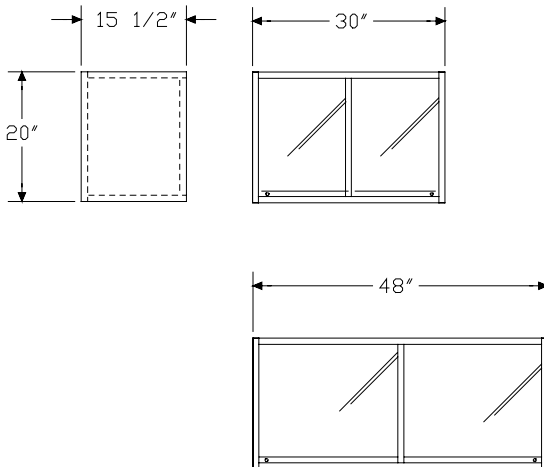


Product Information

Description
 This unit hangs on a module, support panel, or wall strips above a work surface. It has sliding glass doors. Shipped knocked down.

Notes
 Order optional task light separately:
 • Utility task light (G6136.)

Dimensions



Specification Information

Step 1.

C5014.16

Step 2. Width

30 30" wide
48 48" wide

Prices for Steps 1-2.

C5014.16	30	\$1161
	48	\$1358

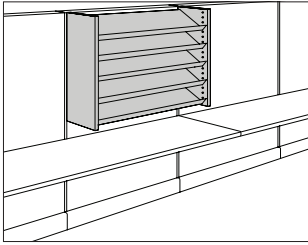
Step 3. Surface Finish

HF	inner tone light	+\$0
LT	light tone	+\$0
LU	soft white	+\$0
WN	warm grey neutral	+\$0
76	light brown walnut	+\$110
91	white	+\$110
HM	natural maple	+\$110
HX	aged cherry	+\$110
OG	honey maple	+\$160

Co/Struc® Storage

Shelf Unit

C5020.
C5021.



Product Information

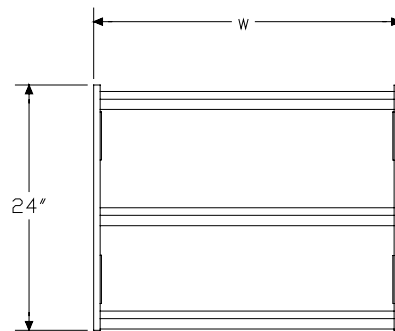
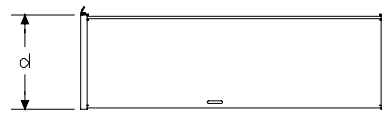
Description

This 3- or 5-shelf unit hangs from a module, panel, or wall strips. It has 9"- or 16"-deep shelves that adjust in 2 1/2" increments. Shelves are flat or slanted at either 11° or 22° angles for gravity-feed dispensing. Shipped knocked down.

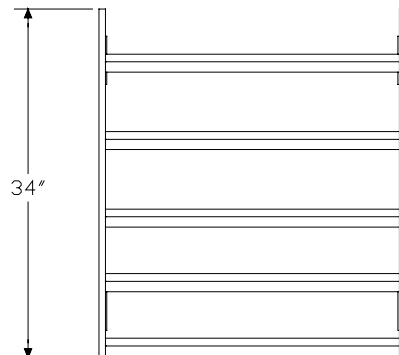
Notes

- For additional shelf, order add-on shelf (C5025.) separately.
- To cover shelf unit with dust cover, order add-on shelf (C5025.) and place in top position of unit.
- To enclose back of unit, order back panel (C5026.) separately.
- To hang unit on architectural wall and enclose back of unit, order shelf unit wall attachment panel (C5036.) separately.
- To enclose front of unit, order shelf unit door (C5027., C5028., C5032., C5037., or C5038.) separately.
- To ease cleaning and prevent the stacking of materials on top of shelf unit, order sloped shelf unit top (C0397.) separately.
- Order optional task light for 16"-deep unit separately:
 - Utility task light (G6136.)
 - Energy-efficient task light (G6120.)
- To attach task light to slanted shelf, order light bracket (C5051.) separately.

Dimensions



3 Shelves



5 Shelves

Shelf Unit *continued*

Co/Struc® Storage

Specification Information

Step 1.

C502

Step 2. Shelves/Height

- 0.** 3 shelves and 24" high
- 1.** 5 shelves and 34" high

Step 3. Depth

- 09** 9" deep
- 16** 16" deep

Step 4. Width

- 24** 24" wide
- 30** 30" wide
- 36** 36" wide
- 48** 48" wide

Prices for Steps 1-4.

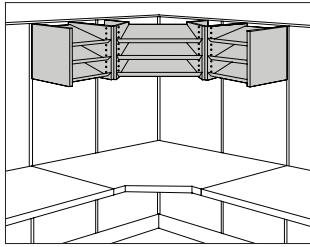
	24	30	36	48
C5020. 09	\$438	462	472	498
16	\$549	577	610	683
C5021. 09	\$624	644	672	716
16	\$748	800	846	938

Step 5. Side Panel/Shelf Finish

- HF** inner tone light +\$0
- LT** light tone +\$0
- LU** soft white +\$0
- WN** warm grey neutral +\$0
- 91** white +\$60

Shelf Unit, Diagonal Corner

C5022.
C5023.



Product Information

Description

This unit hangs from 24"-wide panels connected by an Action Office® 2-way 90° connector or wall strips used in a corner position. Shelves adjust in 2 1/2" increments and are flat or slanted at either 11° or 22° angles for gravity-feed dispensing. Shipped knocked down.

Notes

For additional shelf in center section, order 24"-wide add-on shelf (C5025.1624). For additional shelf in side section, order 14"-wide add-on shelf (C5025.1614).

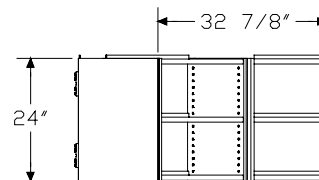
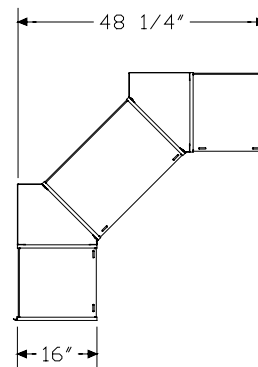
To cover back of center unit, order back panel (C5026.) separately.

Order optional 24"-wide task light for center section separately:

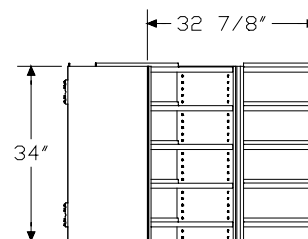
- Utility task light (G6136.24)
- Energy-efficient task light (G6120.24)

To attach task light to slanted center shelf, order light bracket (C5051.) separately.

Dimensions



3 Shelves



5 Shelves

Shelf Unit, Diagonal Corner *continued*

Co/Struc® Storage

Specification Information

Step 1.

C502

Step 2. Shelves/Height

2.1648 3 shelves and 24" high

3.1648 5 shelves and 34" high

Prices for Steps 1-2.

C5022.1648 \$1742

C5023.1648 \$2340

Step 3. Side Panel/Shelf Finish

91 white +\$160

HF inner tone light +\$0

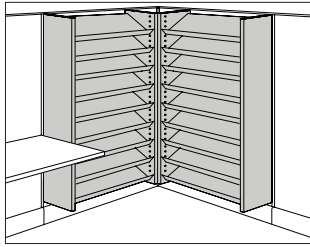
LT light tone +\$0

LU soft white +\$0

WN warm grey neutral +\$0

Shelf Unit, 90° Corner

C5024.



Product Information

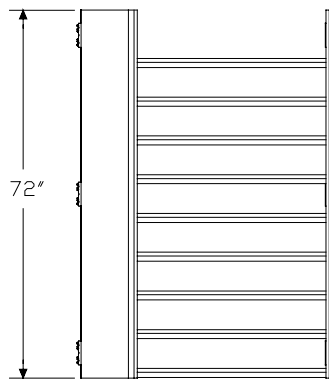
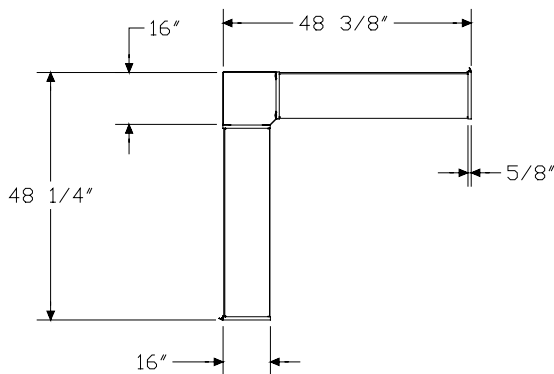
Description

This 72"-high shelf unit hangs from 24"- or 48"-wide panels connected by 1 or 2 Action Office® 2-way 90° connectors or hangs from wall strips used in 1 or 2 90° corners. Shelves adjust in 2 1/2" increments and are flat or slanted at either 11° or 22° angles for gravity-feed dispensing. Shipped knocked down.

Notes

For additional shelf, order add-on shelf (C5025.1631) separately.
To cover shelf unit with dust cover, order add-on shelf (C5025.1631) and place in top position of unit.

Dimensions



Specification Information

Step 1.

C5024.1648 \$3185

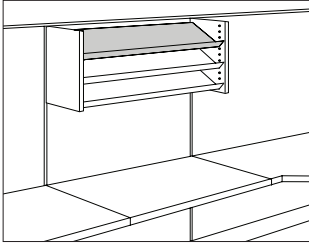
Step 2. Side Panel/Shelf Finish

HF	inner tone light	+\$0
LT	light tone	+\$0
LU	soft white	+\$0
WN	warm grey neutral	+\$0
91	white	+\$300

Co/Struc® Storage

Add-On Shelf, Shelf Unit

C5025.



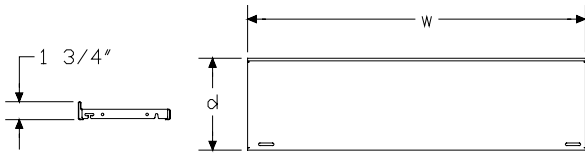
Product Information

Description

This shelf fits inside a shelf unit, diagonal corner shelf unit, or 90° corner shelf unit. It is used as an additional shelf or dust cover.

Dimensions

Co/Struc® Storage



Specification Information

Step 1.

C5025.

Step 2. Depth

- 09** 9" deep
- 16** 16" deep

Step 3. Width

For 9" deep (09)

- 24** 22³/₄" wide
- 30** 28³/₄" wide
- 36** 34³/₄" wide
- 48** 46³/₄" wide

For 16" deep (16)

- 14** 13¹/₂" wide
- 24** 22³/₄" wide
- 30** 28³/₄" wide
- 31** 30¹/₂" wide
- 36** 34³/₄" wide
- 48** 46³/₄" wide

Prices for Steps 1-3.

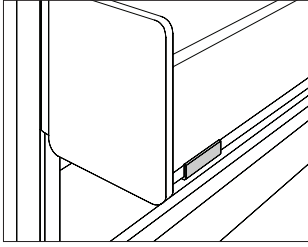
	14	24	30	31	36	48
C5025. 09	—	\$88	94	—	98	113
16	\$91	112	115	119	121	130

Step 4. Shelf Finish

HF	inner tone light	+\$0
LT	light tone	+\$0
LU	soft white	+\$0
WN	warm grey neutral	+\$0

Shelf Label Clip

C0398



Product Information

Description

This 3"-wide clip fastens to the edge of a metal shelf and holds content labels. Stick-on labels can be applied to the front of the clip or slide-in labels can be inserted from the back. Package contains 36 clear clips.

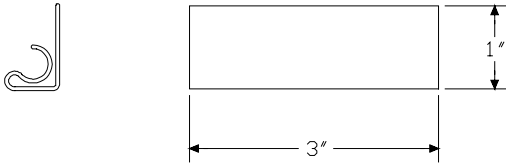
Dimensions

Specification Information

Step 1.

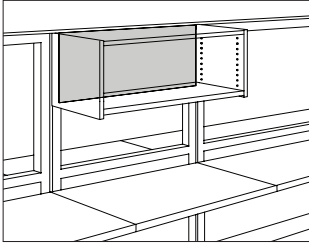
C039827

\$128



Shelf Unit Back Panel

C5026.



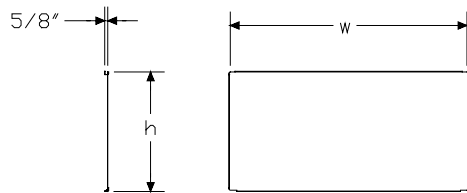
Co/Struc® Storage

Product Information

Description
 This panel attaches to a 3- or 5-shelf unit or diagonal corner shelf unit and closes the back. The shelf unit's top and bottom shelves must be flat.

Notes
 Order shelf unit (C5020. or C5021.) or diagonal corner shelf unit (C5022. or C5023.) separately.

Dimensions



Specification Information

Step 1.
C5026.

Step 2. Height

- 24** 24" high
- 34** 34" high

Step 3. Width

- 24** 22³/₄" wide
- 30** 28³/₄" wide
- 36** 34³/₄" wide
- 48** 46³/₄" wide

Prices for Steps 1-3.

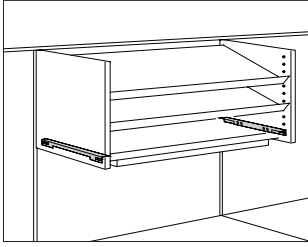
	24	30	36	48
C5026. 24	\$165	179	191	228
34	\$199	218	235	272

Step 4. Surface Finish

HF	inner tone light			+\$0
LT	light tone			+\$0
LU	soft white			+\$0
WN	warm grey neutral			+\$0

Light Bracket

C5051.



Product Information

Description

These brackets fasten a task light to the bottom of an overhead cabinet, a flat or slanted shelf in a 3- or 5-shelf unit, or a center shelf in a diagonal corner shelf unit. Package contains 1 pair. Finish is black.

Notes

For 16"-deep shelf, order energy-efficient task light (G6120.) separately.

Dimensions

Specification Information

Step 1.

C5051.

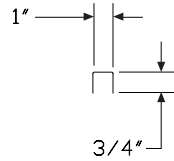
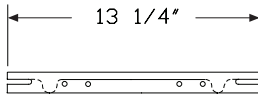
Step 2. Usage

16 for 16"-deep shelf

Prices for Steps 1-2.

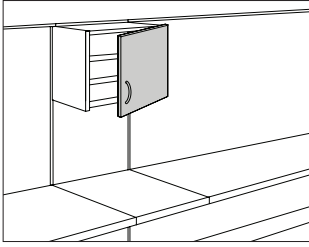
C5051. 16

\$110



Shelf Unit Door

C5027.
C5028.



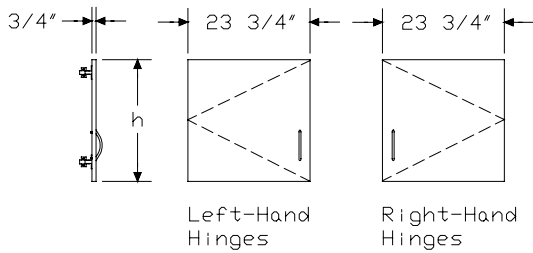
Co/Struc® Storage

Product Information

Description
This 24"-wide door encloses a shelf unit. Attachment hardware is included.

Notes
For 24"-high door, order 3-shelf unit (C5020.) separately.
For 34"-high door, order 5-shelf unit (C5021.) separately.
For keyed-alike locks, order lock plugs separately. See Keyed-Alike Information in Appendices.

Dimensions



Specification Information

Step 1.
C502

Step 2. Hinge Location
7. left-hand hinges
8. right-hand hinges

Step 3. Height
2424 24" high
3424 34" high

Step 4. Lock
N no lock
L keyed differently
K keyed alike

Prices for Steps 1-4.

		N	L	K
C5027.	2424	\$340	440	440
	3424	\$449	548	548
C5028.	2424	\$340	440	440
	3424	\$449	548	548

Step 5. Surface Finish

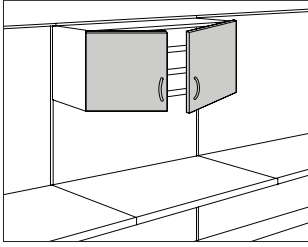
HF	inner tone light	+\$0
LT	light tone	+\$0
LU	soft white	+\$0
WN	warm grey neutral	+\$0
76	light brown walnut	+\$40
91	white	+\$40
HM	natural maple	+\$40
HX	aged cherry	+\$40
OG	honey maple	+\$60

Step 6. Pull Option/Finish

NN	none	+\$0
BK	black	+\$0
NH	brushed nickel	+\$0

Shelf Unit Double Doors

C5032.



Product Information

Description

These doors enclose a shelf unit. The doors are available with or without a lock. Attachment hardware is included.

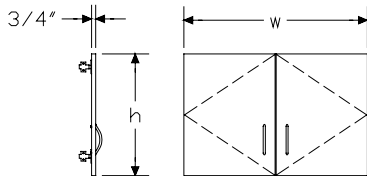
Notes

For 24"-high doors, order 3-shelf unit (C5020.) separately.

For 34"-high doors, order 5-shelf unit (C5021.) separately.

For keyed-alike locks, order lock plugs separately. See Keyed-Alike Information in Appendices.

Dimensions



Specification Information

Step 1.

C5032.

Step 2. Height

24 24" high
34 34" high

Step 3. Width

30 30" wide
36 36" wide
48 48" wide

Step 4. Lock

N no lock
L keyed differently
K keyed alike

Prices for Steps 1-4.

	N	L	K
C5032. 24 30	\$358	458	458
36	\$419	519	519
48	\$514	614	614
34 30	\$464	564	564
36	\$546	646	646
48	\$716	816	816

Step 5. Surface Finish

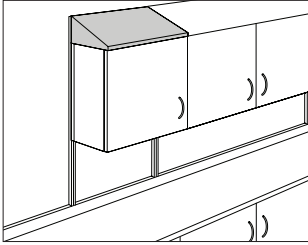
HF	inner tone light	+\$0
LT	light tone	+\$0
LU	soft white	+\$0
WN	warm grey neutral	+\$0
76	light brown walnut	+\$50
91	white	+\$50
HM	natural maple	+\$50
HX	aged cherry	+\$50
OG	honey maple	+\$75

Step 6. Pull Option/Finish

NN	none	+\$0
BK	black	+\$0
NH	brushed nickel	+\$0

Sloped Shelf Unit Top

CO397.



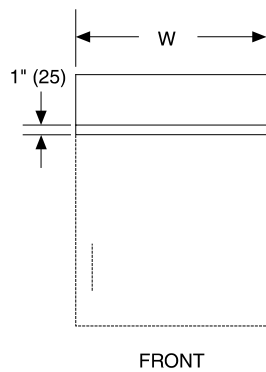
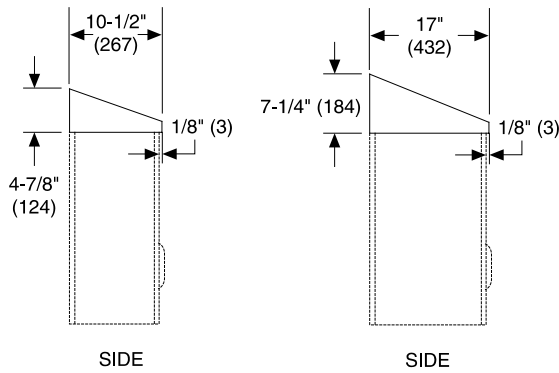
Co/Struc® Storage

Product Information

Description
 This top attaches to a shelf unit. It is sloped to ease cleaning and prevent the stacking of materials on top of the cabinet. Attachment hardware is included.

Notes
 Order shelf unit (C5020. or C5021.) separately.

Dimensions



Specification Information

Step 1.

CO397.

Step 2. Depth

- 09** 10¹/₂" deep
- 16** 17" deep

Step 3. Width

- 24** 24" wide
- 30** 30" wide
- 36** 36" wide
- 48** 48" wide

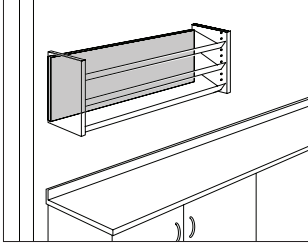
Prices for Steps 1-3.

	24	30	36	48
CO397. 09	\$258	287	311	341
16	\$287	307	341	406

Step 4. Surface Finish

HF	inner tone light			+\$0
LT	light tone			+\$0
LU	soft white			+\$0
WN	warm grey neutral			+\$0

Shelf Unit Wall Attachment Panel C5036.



Product Information

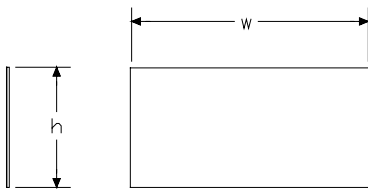
Description

This panel encloses the back of a 3- or 5-shelf unit and allows the shelf unit to hang on an architectural wall.

Notes

Order 3-shelf unit (C5020.) or 5-shelf unit (C5021.) separately.

Dimensions



Specification Information

Step 1.

C5036.

Step 2. Height

- 24** 24" high
- 34** 34" high

Step 3. Width

- 24** 24" wide
- 30** 30" wide
- 36** 36" wide
- 48** 48" wide

Prices for Steps 1-3.

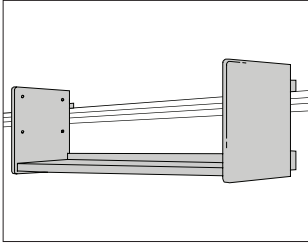
	24	30	36	48
C5036. 24	\$184	205	247	288
34	\$199	213	253	301

Step 4. Surface Finish

HF	inner tone light			+\$0
LT	light tone			+\$0
LU	soft white			+\$0
WN	warm grey neutral			+\$0
76	light brown walnut			+\$25
91	white			+\$25
HM	natural maple			+\$25
HX	aged cherry			+\$25
OG	honey maple			+\$40

B-Style Rail-Hanging Shelf

C0521.



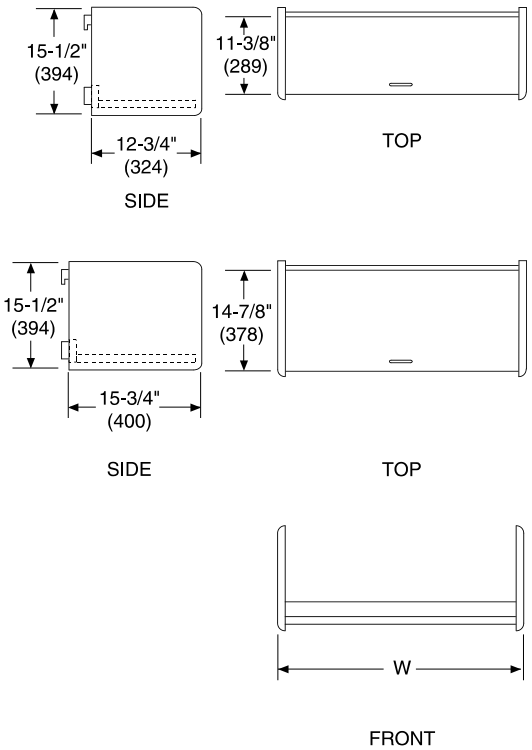
Co/Struc® Storage

Product Information

Description
 This 15½"-high shelf with a lip hangs from a standard rail or adapter rail. It can hold up to 2 add-on shelves. The underside of the shelf accepts a task light. Attachment hardware is included. Shipped knocked down.

Notes
 For enclosed storage, order B-style flipper door (A3310., A3312., or A3313.) separately.
 For fully enclosed storage, order A-/B-style flipper door back panel (A3390.) and B-style flipper door (A3310., A3312., or A3313.) separately.
 Order optional add-on shelves of equal depth and width separately:
 • Add-on shelf (AO521.1524 or AO521.1548)
 • Add-on shelf with lip (C3019.)
 Order optional task light separately:
 • Utility task light (G6136.)
 • Energy-efficient task light (G6120.)

Dimensions



Specification Information

Step 1.

C0521.

Step 2. Depth

13	13" deep
16	16" deep

Step 3. Width

24	24" wide
30	30" wide
36	36" wide
42	42" wide
48	48" wide

Prices for Steps 1-3.

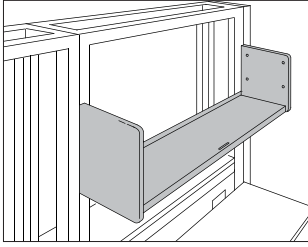
	24	30	36	42	48
C0521. 13	\$410	421	440	450	474
16	\$568	581	610	625	678

Step 4. Surface Finish

HF	inner tone light	+\$0
LT	light tone	+\$0
LU	soft white	+\$0
WN	warm grey neutral	+\$0

B-Style Shelf

C3011.



Product Information

Description

This 15 1/2"-high shelf with a lip hangs from a panel, a freestanding module, or wall strips. It can hold up to 2 add-on shelves. The underside of the shelf accepts a task light. Attachment hardware is included. Shipped knocked down.

Notes

For enclosed storage, order B-style flipper door (A3310., A3312., or A3313.) separately.

For fully enclosed storage of 24"- to 48"-wide shelf, order A-/B-style flipper door back panel (A3390.) and B-style flipper door (A3310., A3312., or A3313.) separately.

Order optional add-on shelves of equal depth and width separately:

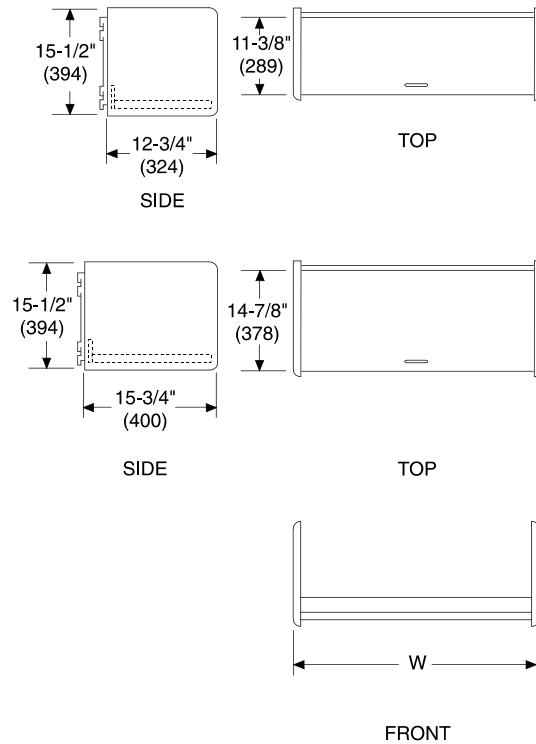
- Add-on shelf (AO521.1524 or AO521.1548)
- Add-on shelf with lip (C3019.)

For 60"-wide shelf, order 60"-wide task light.

Order optional task light separately:

- Utility task light (G6136.)
- Energy-efficient task light (G6120.)

Dimensions



B-Style Shelf *continued*

Co/Struc® Storage

Specification Information

Step 1.

C3011.

Step 2. Depth

13 13" deep

16 16" deep

Step 3. Width

24 24" wide

30 30" wide

36 36" wide

42 42" wide

48 48" wide

60 60" wide

Prices for Steps 1-3.

	24	30	36	42	48	60
C3011. 13	\$233	245	258	269	284	314
16	\$332	345	364	376	414	498

Step 4. Surface Finish

HF inner tone light +\$0

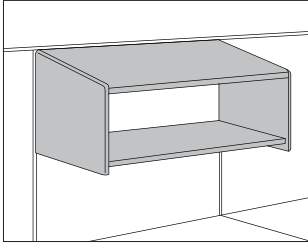
LT light tone +\$0

LU soft white +\$0

WN warm grey neutral +\$0

B-Style Shelf with Sloped Top

C3091.



Product Information

Description

This 16"-deep shelf hangs from a panel, a freestanding module, or wall strips and has a sloped metal top. A filler piece is included for enclosed storage applications. The underside of the shelf accepts a task light. Attachment hardware is included. Shipped knocked down.

Notes

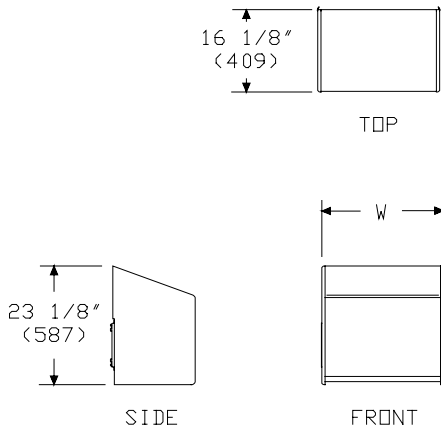
For enclosed storage, order B-style flipper door (A3310., A3312., or A3313.) separately.

To enclose back of shelf, order A-/B-style flipper door back panel (A3390.) separately.

Order optional task light separately:

- Utility task light (G6136.)
- Energy-efficient task light (G6120.)

Dimensions



Specification Information

Step 1.

C3091.16

Step 2. Width

24	24" wide
30	30" wide
42	42" wide
48	48" wide

Prices for Steps 1-2.

C3091.16	24	\$458
	30	\$480
	42	\$559
	48	\$586

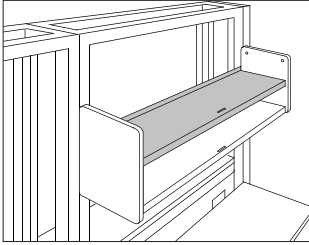
Step 3. Surface Finish

HF	inner tone light	+\$0
LT	light tone	+\$0
LU	soft white	+\$0
WN	warm grey neutral	+\$0

Co/Struc® Storage

Add-On Shelf with Lip

C3019.



Co/Struc® Storage

Product Information

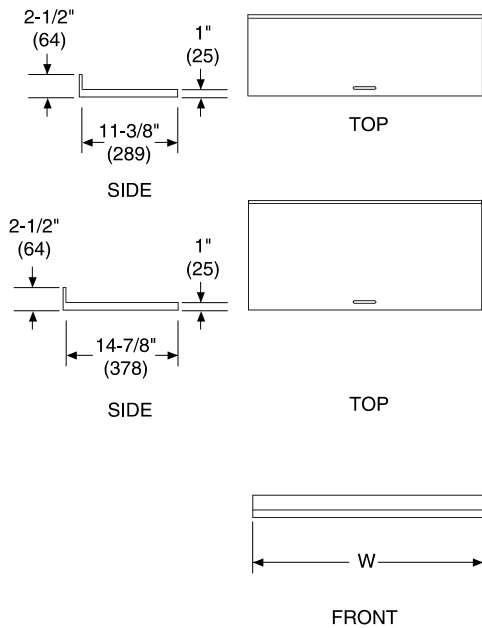
Description
 This shelf fits into a B-style shelf or B-style rail-hanging shelf to add a second shelf. Attachment hardware is included.

Notes

Order support components separately:

- B-style (C3011.) shelf
- B-style (CO521.) rail-hanging shelf

Dimensions



Specification Information

Step 1.

C3019.

Step 2. Depth

13	13" deep
16	16" deep

Step 3. Width

24	24" wide
30	30" wide
36	36" wide
42	42" wide
48	48" wide
60	60" wide

Prices for Steps 1-3.

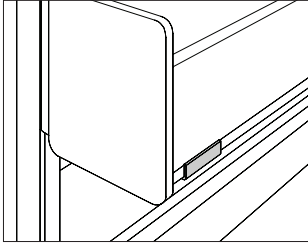
		24	30	36	42	48	60
C3019. 13		\$134	141	157	168	181	202
16		\$196	210	228	240	278	349

Step 4. Surface Finish

HF	inner tone light	+\$0
LT	light tone	+\$0
LU	soft white	+\$0
WN	warm grey neutral	+\$0

Shelf Label Clip

C0398



Product Information

Description

This 3"-wide clip fastens to the edge of a metal shelf and holds content labels. Stick-on labels can be applied to the front of the clip or slide-in labels can be inserted from the back. Package contains 36 clear clips.

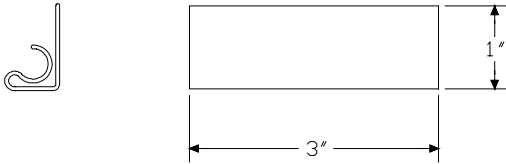
Dimensions

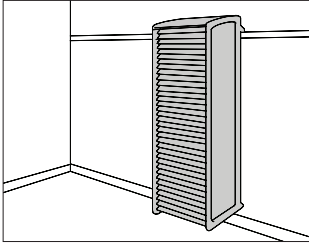
Specification Information

Step 1.

C039827

\$128





Product Information

Description

This enclosed storage unit hangs on rails for stationary storage, or it is used with the TR3 cart for mobile storage. The locker has 20 drawer slots in 3" increments and holds interchangeable components.

The locker has the following lock options: no lock, keyed lock, or keyless lock. The keyless lock mounts on the right-hand side and front of the locker. It includes a back-up keyed lock and has 89 potential user codes and 11 potential supervisor codes. The keyless lock is shipped with 6 AA batteries.

Notes

Order rail components separately:

- Standard rail assembly (CO282)

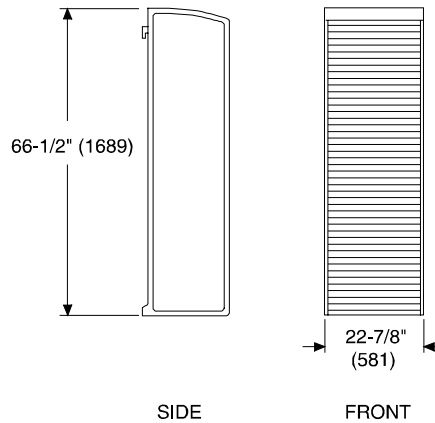
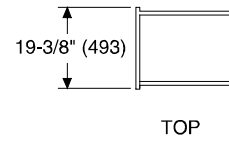
Order transport/storage components separately:

- C tray/shelf (CO203)
- C wire shelf (CO252)
- Cassette assembly (CO565)
- Drawer (CO207, CO208, or CO209)
- Pullout catheter rack (CO469.)
- TR3 cart (CO342)

For general information on locks, see Keyed-Alike Information in Appendices.

Co/Struc® Storage

Dimensions



Locker, with Tambour Door *continued*

Specification Information

Step 1.

CO561

Step 2. Lock

FF	no lock	
FL	keyed lock, keyed differently	
KA	keyed lock, keyed alike	
EL	keyless lock, keyed differently	
EK	keyless lock, keyed alike	

Prices for Steps 1-2.

CO561 FF	\$1644
FL	\$1791
KA	\$1791
EL	\$2647
EK	\$2647

Step 3. Locker Finish

HF	inner tone light	+\$0
LT	light tone	+\$0
LU	soft white	+\$0
WN	warm grey neutral	+\$0

Step 4. Door Finish

3B	beachglass	+\$0
DA	deep blue	+\$0
HF	inner tone light	+\$0
LT	light tone	+\$0
LU	soft white	+\$0
TR	clear	+\$0
WN	warm grey neutral	+\$0

Step 5. Key Number

For keyed lock, keyed alike (KA) or keyless lock, keyed alike (EK)

01	key number 01	+\$0
02	key number 02	+\$0
03	key number 03	+\$0
04	key number 04	+\$0
05	key number 05	+\$0
06	key number 06	+\$0
07	key number 07	+\$0
08	key number 08	+\$0
09	key number 09	+\$0
10	key number 10	+\$0
11	key number 11	+\$0
12	key number 12	+\$0

13	key number 13	+\$0
14	key number 14	+\$0
15	key number 15	+\$0
16	key number 16	+\$0
17	key number 17	+\$0
18	key number 18	+\$0
19	key number 19	+\$0
20	key number 20	+\$0
21	key number 21	+\$0
22	key number 22	+\$0
23	key number 23	+\$0
24	key number 24	+\$0
25	key number 25	+\$0
26	key number 26	+\$0
27	key number 27	+\$0
28	key number 28	+\$0
29	key number 29	+\$0
30	key number 30	+\$0
31	key number 31	+\$0
32	key number 32	+\$0
33	key number 33	+\$0
34	key number 34	+\$0
35	key number 35	+\$0
36	key number 36	+\$0
37	key number 37	+\$0
38	key number 38	+\$0
39	key number 39	+\$0
40	key number 40	+\$0
41	key number 41	+\$0
42	key number 42	+\$0
43	key number 43	+\$0
44	key number 44	+\$0
45	key number 45	+\$0
46	key number 46	+\$0
47	key number 47	+\$0
48	key number 48	+\$0
49	key number 49	+\$0
50	key number 50	+\$0
51	key number 51	+\$0
52	key number 52	+\$0
53	key number 53	+\$0
54	key number 54	+\$0
55	key number 55	+\$0
56	key number 56	+\$0
57	key number 57	+\$0
58	key number 58	+\$0
59	key number 59	+\$0

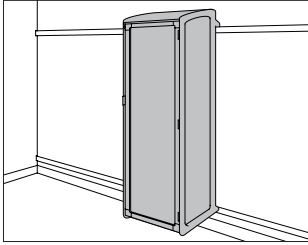
Locker, with Tambour Door *continued*

Co/Struc® Storage

60	key number 60	+\$0
61	key number 61	+\$0
62	key number 62	+\$0
63	key number 63	+\$0
64	key number 64	+\$0
65	key number 65	+\$0
66	key number 66	+\$0
67	key number 67	+\$0
68	key number 68	+\$0
69	key number 69	+\$0
70	key number 70	+\$0
71	key number 71	+\$0
72	key number 72	+\$0
73	key number 73	+\$0
74	key number 74	+\$0
75	key number 75	+\$0
76	key number 76	+\$0
77	key number 77	+\$0
78	key number 78	+\$0
79	key number 79	+\$0
80	key number 80	+\$0
81	key number 81	+\$0
82	key number 82	+\$0
83	key number 83	+\$0
84	key number 84	+\$0
85	key number 85	+\$0
86	key number 86	+\$0
87	key number 87	+\$0
88	key number 88	+\$0
89	key number 89	+\$0
90	key number 90	+\$0
91	key number 91	+\$0
92	key number 92	+\$0
93	key number 93	+\$0
94	key number 94	+\$0
95	key number 95	+\$0
96	key number 96	+\$0
97	key number 97	+\$0
98	key number 98	+\$0
99	key number 99	+\$0

Locker, with Hinged Door

C0570



Product Information

Description

This enclosed storage unit hangs on rails for stationary storage, or it is used with the TR3 cart for mobile storage. The locker has 20 drawer slots in 3" increments and holds interchangeable components. Door is hinged at the right.

Available with no lock, keyless, or a keyed lock.

Notes

Door frame color matches locker color.

Order rail components separately:

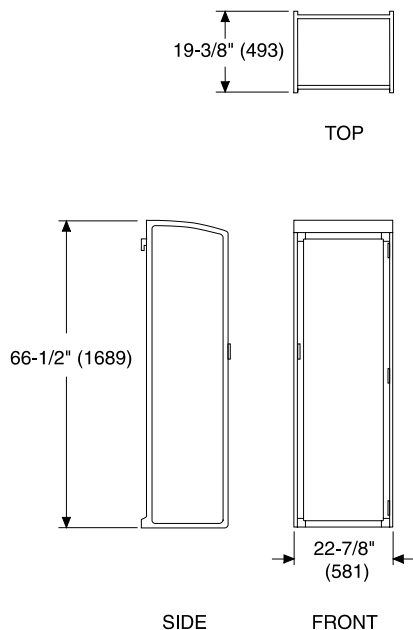
- Standard rail assembly (C0282)

Order transport/storage components separately:

- C tray/shelf (C0203)
- C wire shelf (C0252)
- Cassette assembly (C0565)
- Drawer (C0207, C0208, or C0209)
- Pullout catheter rack (C0469.)
- TR3 cart (C0342)

For general information on locks, see Keyed-Alike Information in Appendices.

Dimensions



Specification Information

Step 1.

C0570

Step 2. Lock

FF	no lock
FL	keyed lock, keyed differently
KA	keyed lock, keyed alike
KP	keyless lock

Prices for Steps 1-2.

C0570	FF	\$2122
	FL	\$2288
	KA	\$2288
	KP	\$2645

Step 3. Locker Finish

HF	inner tone light	+\$0
LT	light tone	+\$0
LU	soft white	+\$0
WN	warm grey neutral	+\$0

Step 4. Door Insert Finish

HF	inner tone light	+\$0
LT	light tone	+\$0
LU	soft white	+\$0
TR	clear	+\$0
WN	warm grey neutral	+\$0

Step 5. Key Number

For keyed lock, keyed alike (KA)

01	key number 01	+\$0
02	key number 02	+\$0
03	key number 03	+\$0
04	key number 04	+\$0
05	key number 05	+\$0
06	key number 06	+\$0
07	key number 07	+\$0
08	key number 08	+\$0
09	key number 09	+\$0
10	key number 10	+\$0
11	key number 11	+\$0
12	key number 12	+\$0
13	key number 13	+\$0
14	key number 14	+\$0
15	key number 15	+\$0
16	key number 16	+\$0

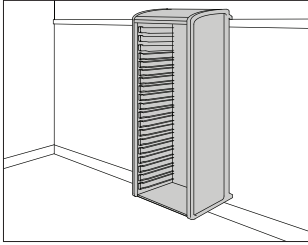
Locker, with Hinged Door *continued*

Co/Struc® Storage

17	key number 17	+\$0	64	key number 64	+\$0
18	key number 18	+\$0	65	key number 65	+\$0
19	key number 19	+\$0	66	key number 66	+\$0
20	key number 20	+\$0	67	key number 67	+\$0
21	key number 21	+\$0	68	key number 68	+\$0
22	key number 22	+\$0	69	key number 69	+\$0
23	key number 23	+\$0	70	key number 70	+\$0
24	key number 24	+\$0	71	key number 71	+\$0
25	key number 25	+\$0	72	key number 72	+\$0
26	key number 26	+\$0	73	key number 73	+\$0
27	key number 27	+\$0	74	key number 74	+\$0
28	key number 28	+\$0	75	key number 75	+\$0
29	key number 29	+\$0	76	key number 76	+\$0
30	key number 30	+\$0	77	key number 77	+\$0
31	key number 31	+\$0	78	key number 78	+\$0
32	key number 32	+\$0	79	key number 79	+\$0
33	key number 33	+\$0	80	key number 80	+\$0
34	key number 34	+\$0	81	key number 81	+\$0
35	key number 35	+\$0	82	key number 82	+\$0
36	key number 36	+\$0	83	key number 83	+\$0
37	key number 37	+\$0	84	key number 84	+\$0
38	key number 38	+\$0	85	key number 85	+\$0
39	key number 39	+\$0	86	key number 86	+\$0
40	key number 40	+\$0	87	key number 87	+\$0
41	key number 41	+\$0	88	key number 88	+\$0
42	key number 42	+\$0	89	key number 89	+\$0
43	key number 43	+\$0	90	key number 90	+\$0
44	key number 44	+\$0	91	key number 91	+\$0
45	key number 45	+\$0	92	key number 92	+\$0
46	key number 46	+\$0	93	key number 93	+\$0
47	key number 47	+\$0	94	key number 94	+\$0
48	key number 48	+\$0	95	key number 95	+\$0
49	key number 49	+\$0	96	key number 96	+\$0
50	key number 50	+\$0	97	key number 97	+\$0
51	key number 51	+\$0	98	key number 98	+\$0
52	key number 52	+\$0	99	key number 99	+\$0
53	key number 53	+\$0			
54	key number 54	+\$0			
55	key number 55	+\$0			
56	key number 56	+\$0			
57	key number 57	+\$0			
58	key number 58	+\$0			
59	key number 59	+\$0			
60	key number 60	+\$0			
61	key number 61	+\$0			
62	key number 62	+\$0			
63	key number 63	+\$0			

Locker

C0562



Product Information

Description

This storage unit hangs on rails for stationary storage, or it is used with the TR3 cart for mobile storage. The locker has 20 drawer slots in 3" increments and holds interchangeable components.

Notes

Order rail components separately:

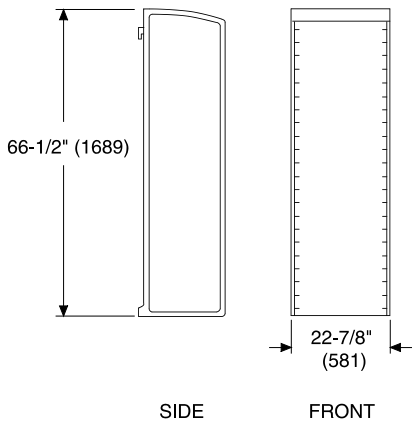
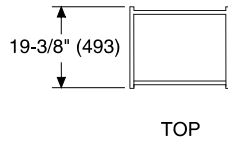
- Standard rail assembly (C0282)

Order transport/storage components separately:

- C tray/shelf (C0203)
- C wire shelf (C0252)
- Cassette assembly (C0565)
- Drawer (C0207, C0208, or C0209)
- Pullout catheter rack (C0469.)
- TR3 cart (C0342)

Order optional locker tambour door (C0219) separately.

Dimensions



Specification Information

Step 1.

C0562FF \$1450

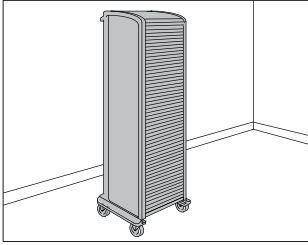
Step 2. Surface Finish

HF	inner tone light	+\$0
LT	light tone	+\$0
LU	soft white	+\$0
WN	warm grey neutral	+\$0

Co/Struc® Storage

Locker on Wheel Base, with
Tambour Door

CO564



Product Information

Description

This enclosed, mobile storage unit holds interchangeable components to store and transport materials. The locker has 20 drawer slots in 3" increments and a counterweighted base with 5"-diameter casters (2 swivel and 2 swivel with brake). The tambour door slides vertically for access to locker materials. The locker does not include a handle; it is pushed or pulled by grasping the sides. It cannot be linked for multiple towing and cannot be transported in a truck.

The locker has the following lock options: no lock, keyed lock, or keyless lock. The keyless lock mounts on the right-hand side and front of the locker. It includes a back-up keyed lock and has 89 potential user codes and 11 potential supervisor codes. The keyless lock is shipped with 6 AA batteries.

Notes

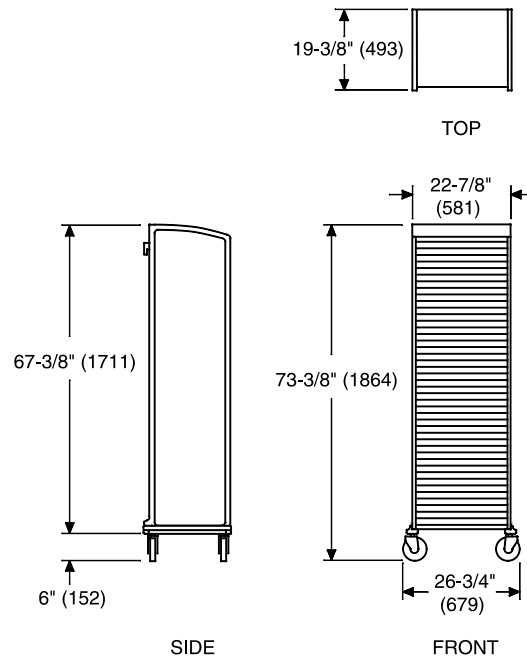
Order internal storage components separately:

- A-, B-, or C-size drawers (CO207, CO208, or CO209)
- C tray/shelf (CO203)
- C wire shelf (CO252)
- Cassette assembly (CO565)
- Pullout catheter rack (CO469.)

For general information on locks, see Keyed-Alike Information in Appendices.

Co/Struc® Storage

Dimensions



Locker on Wheel Base, with Tambour Door *continued*

Co/Struc® Storage

Specification Information

Step 1.

CO564

Step 2. Lock

FF	no lock	
FL	keyed lock, keyed differently	
KA	keyed lock, keyed alike	
EL	keyless lock, keyed differently	
EK	keyless lock, keyed alike	

Prices for Steps 1-2.

CO564 FF	\$2295
FL	\$2407
KA	\$2407
EL	\$3300
EK	\$3300

Step 3. Locker Finish

HF	inner tone light	+\$0
LT	light tone	+\$0
LU	soft white	+\$0
WN	warm grey neutral	+\$0

Step 4. Door Finish

3B	beachglass	+\$0
DA	deep blue	+\$0
HF	inner tone light	+\$0
LT	light tone	+\$0
LU	soft white	+\$0
TR	clear	+\$0
WN	warm grey neutral	+\$0

Step 5. Key Number

For keyed lock, keyed alike (KA) or keyless lock, keyed alike (EK)

01	key number 01	+\$0
02	key number 02	+\$0
03	key number 03	+\$0
04	key number 04	+\$0
05	key number 05	+\$0
06	key number 06	+\$0
07	key number 07	+\$0
08	key number 08	+\$0
09	key number 09	+\$0
10	key number 10	+\$0
11	key number 11	+\$0
12	key number 12	+\$0

13	key number 13	+\$0
14	key number 14	+\$0
15	key number 15	+\$0
16	key number 16	+\$0
17	key number 17	+\$0
18	key number 18	+\$0
19	key number 19	+\$0
20	key number 20	+\$0
21	key number 21	+\$0
22	key number 22	+\$0
23	key number 23	+\$0
24	key number 24	+\$0
25	key number 25	+\$0
26	key number 26	+\$0
27	key number 27	+\$0
28	key number 28	+\$0
29	key number 29	+\$0
30	key number 30	+\$0
31	key number 31	+\$0
32	key number 32	+\$0
33	key number 33	+\$0
34	key number 34	+\$0
35	key number 35	+\$0
36	key number 36	+\$0
37	key number 37	+\$0
38	key number 38	+\$0
39	key number 39	+\$0
40	key number 40	+\$0
41	key number 41	+\$0
42	key number 42	+\$0
43	key number 43	+\$0
44	key number 44	+\$0
45	key number 45	+\$0
46	key number 46	+\$0
47	key number 47	+\$0
48	key number 48	+\$0
49	key number 49	+\$0
50	key number 50	+\$0
51	key number 51	+\$0
52	key number 52	+\$0
53	key number 53	+\$0
54	key number 54	+\$0
55	key number 55	+\$0
56	key number 56	+\$0
57	key number 57	+\$0
58	key number 58	+\$0
59	key number 59	+\$0

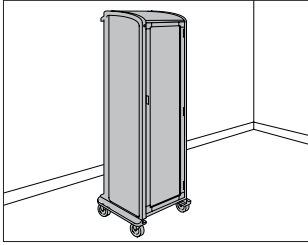
Locker on Wheel Base, with
Tambour Door *continued*

Co/Struc® Storage

60	key number 60	+\$0
61	key number 61	+\$0
62	key number 62	+\$0
63	key number 63	+\$0
64	key number 64	+\$0
65	key number 65	+\$0
66	key number 66	+\$0
67	key number 67	+\$0
68	key number 68	+\$0
69	key number 69	+\$0
70	key number 70	+\$0
71	key number 71	+\$0
72	key number 72	+\$0
73	key number 73	+\$0
74	key number 74	+\$0
75	key number 75	+\$0
76	key number 76	+\$0
77	key number 77	+\$0
78	key number 78	+\$0
79	key number 79	+\$0
80	key number 80	+\$0
81	key number 81	+\$0
82	key number 82	+\$0
83	key number 83	+\$0
84	key number 84	+\$0
85	key number 85	+\$0
86	key number 86	+\$0
87	key number 87	+\$0
88	key number 88	+\$0
89	key number 89	+\$0
90	key number 90	+\$0
91	key number 91	+\$0
92	key number 92	+\$0
93	key number 93	+\$0
94	key number 94	+\$0
95	key number 95	+\$0
96	key number 96	+\$0
97	key number 97	+\$0
98	key number 98	+\$0
99	key number 99	+\$0

Locker on Wheel Base, with Hinged Door

C0574



Product Information

Description

This enclosed, mobile storage unit holds interchangeable components to store and transport materials. The locker has 20 drawer slots in 3" increments and a counterweighted base with 5"-diameter casters (2 swivel and 2 swivel with brake). The door is hinged at the right and swings open for access to locker materials. The locker does not include a handle; it is pushed or pulled by grasping the sides. It cannot be linked for multiple towing and cannot be transported in a truck. Available with no lock, keyless, or a keyed lock.

Notes

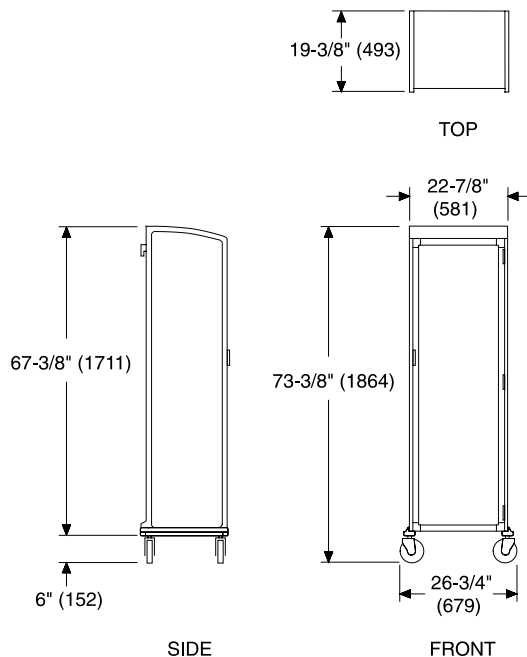
Door frame color matches locker color.

Order internal storage components separately:

- A-, B-, or C-size drawers (C0207, C0208, or C0209)
- C tray/shelf (C0203)
- C wire shelf (C0252)
- Cassette assembly (C0565)
- Pullout catheter rack (C0469.)

For general information on locks, see Keyed-Alike Information in Appendices.

Dimensions



Specification Information

Step 1.

C0574

Step 2. Lock

FF	no lock
FL	keyed lock, keyed differently
KA	keyed lock, keyed alike
KP	keyless lock

Prices for Steps 1-2.

C0574 FF	\$2906
FL	\$3070
KA	\$3070
KP	\$3429

Step 3. Locker Finish

HF	inner tone light	+\$0
LT	light tone	+\$0
LU	soft white	+\$0
WN	warm grey neutral	+\$0

Step 4. Door Finish

HF	inner tone light	+\$0
LT	light tone	+\$0
LU	soft white	+\$0
TR	clear	+\$0
WN	warm grey neutral	+\$0

Step 5. Key Number

For keyed lock, keyed alike (KA)

01	key number 01	+\$0
02	key number 02	+\$0
03	key number 03	+\$0
04	key number 04	+\$0
05	key number 05	+\$0
06	key number 06	+\$0
07	key number 07	+\$0
08	key number 08	+\$0
09	key number 09	+\$0
10	key number 10	+\$0
11	key number 11	+\$0
12	key number 12	+\$0
13	key number 13	+\$0
14	key number 14	+\$0
15	key number 15	+\$0
16	key number 16	+\$0

Co/Struc® Storage

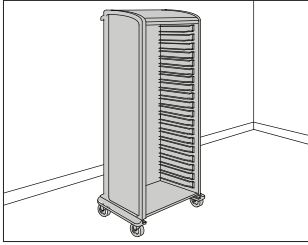
Locker on Wheel Base, with
Hinged Door *continued*

Co/Struc® Storage

17	key number 17	+\$0	64	key number 64	+\$0
18	key number 18	+\$0	65	key number 65	+\$0
19	key number 19	+\$0	66	key number 66	+\$0
20	key number 20	+\$0	67	key number 67	+\$0
21	key number 21	+\$0	68	key number 68	+\$0
22	key number 22	+\$0	69	key number 69	+\$0
23	key number 23	+\$0	70	key number 70	+\$0
24	key number 24	+\$0	71	key number 71	+\$0
25	key number 25	+\$0	72	key number 72	+\$0
26	key number 26	+\$0	73	key number 73	+\$0
27	key number 27	+\$0	74	key number 74	+\$0
28	key number 28	+\$0	75	key number 75	+\$0
29	key number 29	+\$0	76	key number 76	+\$0
30	key number 30	+\$0	77	key number 77	+\$0
31	key number 31	+\$0	78	key number 78	+\$0
32	key number 32	+\$0	79	key number 79	+\$0
33	key number 33	+\$0	80	key number 80	+\$0
34	key number 34	+\$0	81	key number 81	+\$0
35	key number 35	+\$0	82	key number 82	+\$0
36	key number 36	+\$0	83	key number 83	+\$0
37	key number 37	+\$0	84	key number 84	+\$0
38	key number 38	+\$0	85	key number 85	+\$0
39	key number 39	+\$0	86	key number 86	+\$0
40	key number 40	+\$0	87	key number 87	+\$0
41	key number 41	+\$0	88	key number 88	+\$0
42	key number 42	+\$0	89	key number 89	+\$0
43	key number 43	+\$0	90	key number 90	+\$0
44	key number 44	+\$0	91	key number 91	+\$0
45	key number 45	+\$0	92	key number 92	+\$0
46	key number 46	+\$0	93	key number 93	+\$0
47	key number 47	+\$0	94	key number 94	+\$0
48	key number 48	+\$0	95	key number 95	+\$0
49	key number 49	+\$0	96	key number 96	+\$0
50	key number 50	+\$0	97	key number 97	+\$0
51	key number 51	+\$0	98	key number 98	+\$0
52	key number 52	+\$0	99	key number 99	+\$0
53	key number 53	+\$0			
54	key number 54	+\$0			
55	key number 55	+\$0			
56	key number 56	+\$0			
57	key number 57	+\$0			
58	key number 58	+\$0			
59	key number 59	+\$0			
60	key number 60	+\$0			
61	key number 61	+\$0			
62	key number 62	+\$0			
63	key number 63	+\$0			

Locker on Wheel Base

C0563



Product Information

Description

This mobile storage unit holds interchangeable components to store and transport materials. The locker has 20 drawer slots in 3" increments and a counterweighted base with 5"-diameter casters (2 swivel and 2 swivel with brake). The locker does not include a handle; it is pushed or pulled by grasping the sides. It cannot be linked for multiple towing and cannot be transported in a truck.

Notes

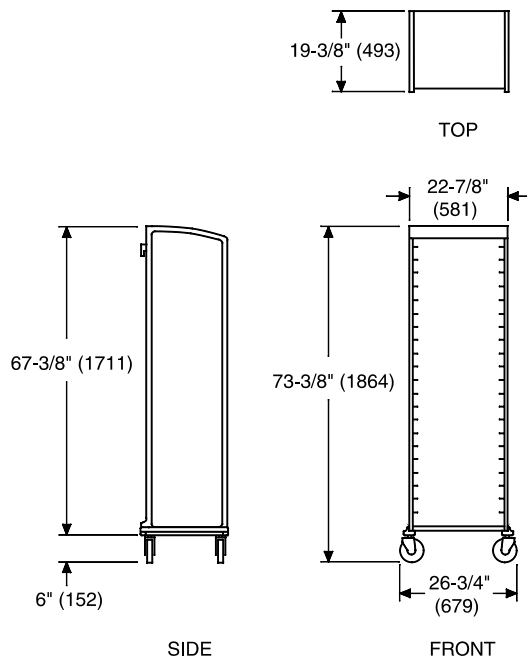
Order internal storage components separately:

- A-, B-, or C-size drawers (C0207, C0208, or C0209)
- C tray/shelf (C0203)
- C wire shelf (C0252)
- Cassette assembly (C0565)
- Pullout catheter rack (C0469.)

Order chest tube rack (C0466) separately.

Order optional locker tambour door (C0219) and locker lock kit (C0277) separately.

Dimensions



Specification Information

Step 1.

C0563FF \$2269

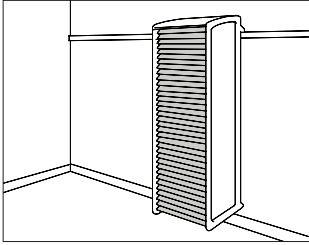
Step 2. Surface Finish

HF	inner tone light	+\$0
LT	light tone	+\$0
LU	soft white	+\$0
WN	warm grey neutral	+\$0

Co/Struc® Storage

Locker Tambour Door

CO219

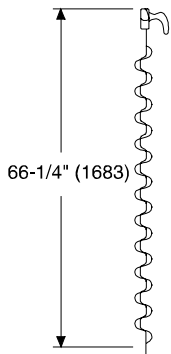


Product Information

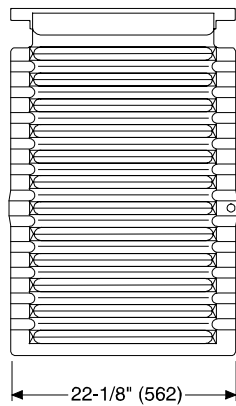
Description
 This vertical door provides closure on a locker. It opens by sliding into the locker bottom.

Dimensions

Co/Struc® Storage



SIDE



FRONT

Specification Information

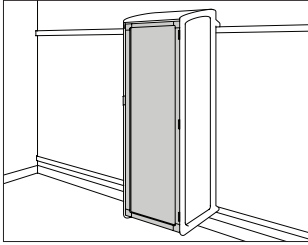
Step 1.
CO219FF \$221

Step 2. Surface Finish

3B	beachglass	+\$0
DA	deep blue	+\$0
HF	inner tone light	+\$0
LT	light tone	+\$0
LU	soft white	+\$0
TR	clear	+\$0
WN	warm grey neutral	+\$0

Locker Hinged Door

C0290



Product Information

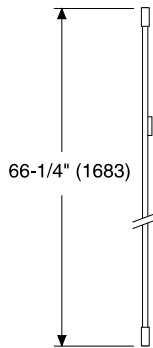
Description

This door provides closure on a locker. It is hinged at the right.

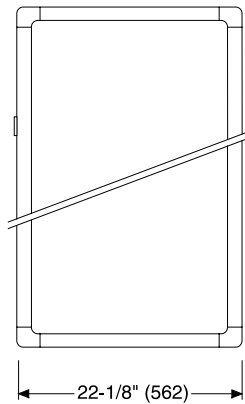
Attachment hardware included.

Available with no lock, keyless, or a keyed lock.

Dimensions



SIDE



FRONT

Specification Information

Step 1.

C0290

Step 2. Lock

FF	no lock
FL	keyed lock, keyed differently
KA	keyed lock, keyed alike
KP	keyless lock

Prices for Steps 1-2.

C0290 FF	\$658
FL	\$827
KA	\$827
KP	\$1180

Step 3. Door Finish

HF	inner tone light	+\$0
LT	light tone	+\$0
LU	soft white	+\$0
WN	warm grey neutral	+\$0

Step 4. Insert Finish

HF	inner tone light	+\$0
LT	light tone	+\$0
LU	soft white	+\$0
TR	clear	+\$0
WN	warm grey neutral	+\$0

Step 5. Key Number

For keyed lock, keyed alike (KA)

01	key number 01	+\$0
02	key number 02	+\$0
03	key number 03	+\$0
04	key number 04	+\$0
05	key number 05	+\$0
06	key number 06	+\$0
07	key number 07	+\$0
08	key number 08	+\$0
09	key number 09	+\$0
10	key number 10	+\$0
11	key number 11	+\$0
12	key number 12	+\$0
13	key number 13	+\$0
14	key number 14	+\$0
15	key number 15	+\$0
16	key number 16	+\$0

Co/Struc® Storage

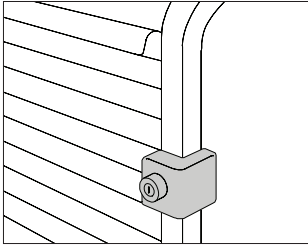
Locker Hinged Door *continued*

Co/Struc® Storage

17	key number 17	+\$0	64	key number 64	+\$0
18	key number 18	+\$0	65	key number 65	+\$0
19	key number 19	+\$0	66	key number 66	+\$0
20	key number 20	+\$0	67	key number 67	+\$0
21	key number 21	+\$0	68	key number 68	+\$0
22	key number 22	+\$0	69	key number 69	+\$0
23	key number 23	+\$0	70	key number 70	+\$0
24	key number 24	+\$0	71	key number 71	+\$0
25	key number 25	+\$0	72	key number 72	+\$0
26	key number 26	+\$0	73	key number 73	+\$0
27	key number 27	+\$0	74	key number 74	+\$0
28	key number 28	+\$0	75	key number 75	+\$0
29	key number 29	+\$0	76	key number 76	+\$0
30	key number 30	+\$0	77	key number 77	+\$0
31	key number 31	+\$0	78	key number 78	+\$0
32	key number 32	+\$0	79	key number 79	+\$0
33	key number 33	+\$0	80	key number 80	+\$0
34	key number 34	+\$0	81	key number 81	+\$0
35	key number 35	+\$0	82	key number 82	+\$0
36	key number 36	+\$0	83	key number 83	+\$0
37	key number 37	+\$0	84	key number 84	+\$0
38	key number 38	+\$0	85	key number 85	+\$0
39	key number 39	+\$0	86	key number 86	+\$0
40	key number 40	+\$0	87	key number 87	+\$0
41	key number 41	+\$0	88	key number 88	+\$0
42	key number 42	+\$0	89	key number 89	+\$0
43	key number 43	+\$0	90	key number 90	+\$0
44	key number 44	+\$0	91	key number 91	+\$0
45	key number 45	+\$0	92	key number 92	+\$0
46	key number 46	+\$0	93	key number 93	+\$0
47	key number 47	+\$0	94	key number 94	+\$0
48	key number 48	+\$0	95	key number 95	+\$0
49	key number 49	+\$0	96	key number 96	+\$0
50	key number 50	+\$0	97	key number 97	+\$0
51	key number 51	+\$0	98	key number 98	+\$0
52	key number 52	+\$0	99	key number 99	+\$0
53	key number 53	+\$0			
54	key number 54	+\$0			
55	key number 55	+\$0			
56	key number 56	+\$0			
57	key number 57	+\$0			
58	key number 58	+\$0			
59	key number 59	+\$0			
60	key number 60	+\$0			
61	key number 61	+\$0			
62	key number 62	+\$0			
63	key number 63	+\$0			

Locker Lock Kit

CO277



Product Information

Description

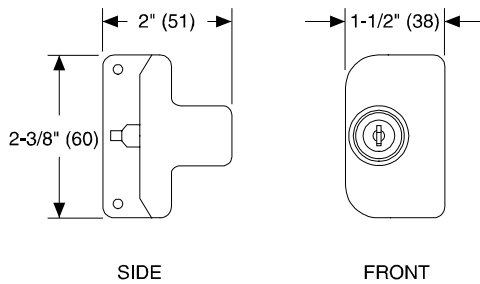
This kit includes a lock and converts a locker with tambour door to a lockable storage unit.

Notes

For general information on locks, see Keyed-Alike Information in Appendices.

Kit must be field installed.

Dimensions



Specification Information

Step 1.

CO277

Step 2. Lock

- FF** keyed differently
- KA** keyed alike

Prices for Steps 1-2.

CO277 FF	\$154
KA	\$154

Step 3. Surface Finish

HF	inner tone light	+\$0
LT	light tone	+\$0
LU	soft white	+\$0
WN	warm grey neutral	+\$0

Step 4. Key Number

For keyed alike (KA)

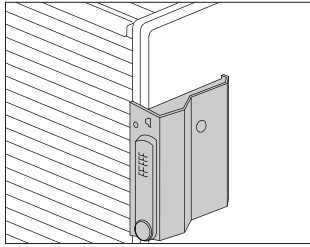
01	key number 01	+\$0
02	key number 02	+\$0
03	key number 03	+\$0
04	key number 04	+\$0
05	key number 05	+\$0
06	key number 06	+\$0
07	key number 07	+\$0
08	key number 08	+\$0
09	key number 09	+\$0
10	key number 10	+\$0
11	key number 11	+\$0
12	key number 12	+\$0
13	key number 13	+\$0
14	key number 14	+\$0
15	key number 15	+\$0
16	key number 16	+\$0
17	key number 17	+\$0
18	key number 18	+\$0
19	key number 19	+\$0
20	key number 20	+\$0
21	key number 21	+\$0
22	key number 22	+\$0
23	key number 23	+\$0
24	key number 24	+\$0
25	key number 25	+\$0
26	key number 26	+\$0
27	key number 27	+\$0

Co/Struc® Storage

Locker Lock Kit *continued*

Co/Struc® Storage

28	key number 28	+\$0	75	key number 75	+\$0
29	key number 29	+\$0	76	key number 76	+\$0
30	key number 30	+\$0	77	key number 77	+\$0
31	key number 31	+\$0	78	key number 78	+\$0
32	key number 32	+\$0	79	key number 79	+\$0
33	key number 33	+\$0	80	key number 80	+\$0
34	key number 34	+\$0	81	key number 81	+\$0
35	key number 35	+\$0	82	key number 82	+\$0
36	key number 36	+\$0	83	key number 83	+\$0
37	key number 37	+\$0	84	key number 84	+\$0
38	key number 38	+\$0	85	key number 85	+\$0
39	key number 39	+\$0	86	key number 86	+\$0
40	key number 40	+\$0	87	key number 87	+\$0
41	key number 41	+\$0	88	key number 88	+\$0
42	key number 42	+\$0	89	key number 89	+\$0
43	key number 43	+\$0	90	key number 90	+\$0
44	key number 44	+\$0	91	key number 91	+\$0
45	key number 45	+\$0	92	key number 92	+\$0
46	key number 46	+\$0	93	key number 93	+\$0
47	key number 47	+\$0	94	key number 94	+\$0
48	key number 48	+\$0	95	key number 95	+\$0
49	key number 49	+\$0	96	key number 96	+\$0
50	key number 50	+\$0	97	key number 97	+\$0
51	key number 51	+\$0	98	key number 98	+\$0
52	key number 52	+\$0	99	key number 99	+\$0
53	key number 53	+\$0			
54	key number 54	+\$0			
55	key number 55	+\$0			
56	key number 56	+\$0			
57	key number 57	+\$0			
58	key number 58	+\$0			
59	key number 59	+\$0			
60	key number 60	+\$0			
61	key number 61	+\$0			
62	key number 62	+\$0			
63	key number 63	+\$0			
64	key number 64	+\$0			
65	key number 65	+\$0			
66	key number 66	+\$0			
67	key number 67	+\$0			
68	key number 68	+\$0			
69	key number 69	+\$0			
70	key number 70	+\$0			
71	key number 71	+\$0			
72	key number 72	+\$0			
73	key number 73	+\$0			
74	key number 74	+\$0			



Product Information

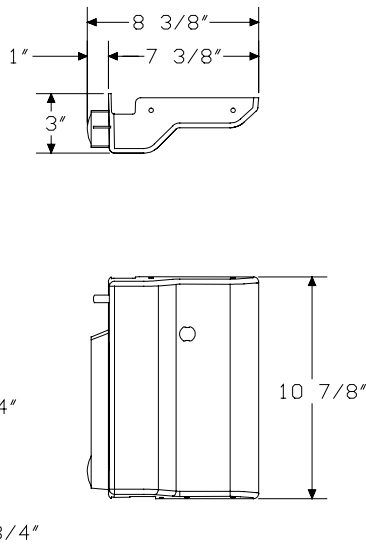
Description

This keyless lock converts a locker with tambour door to a lockable storage unit. It mounts on the right-hand side and front of the locker. The keyless lock includes a back-up keyed lock and has 89 potential user codes and 11 potential supervisor codes. The keyless lock is shipped with 6 AA batteries.

Notes

For general information on locks, see Keyed-Alike Information in Appendices.
Kit must be field installed.

Dimensions



Specification Information

Step 1.

CO279E

Step 2. Lock

- L** keyed differently
- K** keyed alike

Prices for Steps 1-2.

CO279E L	\$1049
K	\$1049

Step 3. Surface Finish

HF	inner tone light	+\$0
LT	light tone	+\$0
LU	soft white	+\$0
WN	warm grey neutral	+\$0

Step 4. Key Number

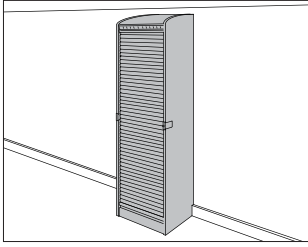
For keyed alike (K)

01	key number 01	+\$0
02	key number 02	+\$0
03	key number 03	+\$0
04	key number 04	+\$0
05	key number 05	+\$0
06	key number 06	+\$0
07	key number 07	+\$0
08	key number 08	+\$0
09	key number 09	+\$0
10	key number 10	+\$0
11	key number 11	+\$0
12	key number 12	+\$0
13	key number 13	+\$0
14	key number 14	+\$0
15	key number 15	+\$0
16	key number 16	+\$0
17	key number 17	+\$0
18	key number 18	+\$0
19	key number 19	+\$0
20	key number 20	+\$0
21	key number 21	+\$0
22	key number 22	+\$0
23	key number 23	+\$0
24	key number 24	+\$0
25	key number 25	+\$0
26	key number 26	+\$0
27	key number 27	+\$0

Locker Lock Kit, Keyless *continued*

Co/Struc® Storage

28	key number 28	+\$0	75	key number 75	+\$0
29	key number 29	+\$0	76	key number 76	+\$0
30	key number 30	+\$0	77	key number 77	+\$0
31	key number 31	+\$0	78	key number 78	+\$0
32	key number 32	+\$0	79	key number 79	+\$0
33	key number 33	+\$0	80	key number 80	+\$0
34	key number 34	+\$0	81	key number 81	+\$0
35	key number 35	+\$0	82	key number 82	+\$0
36	key number 36	+\$0	83	key number 83	+\$0
37	key number 37	+\$0	84	key number 84	+\$0
38	key number 38	+\$0	85	key number 85	+\$0
39	key number 39	+\$0	86	key number 86	+\$0
40	key number 40	+\$0	87	key number 87	+\$0
41	key number 41	+\$0	88	key number 88	+\$0
42	key number 42	+\$0	89	key number 89	+\$0
43	key number 43	+\$0	90	key number 90	+\$0
44	key number 44	+\$0	91	key number 91	+\$0
45	key number 45	+\$0	92	key number 92	+\$0
46	key number 46	+\$0	93	key number 93	+\$0
47	key number 47	+\$0	94	key number 94	+\$0
48	key number 48	+\$0	95	key number 95	+\$0
49	key number 49	+\$0	96	key number 96	+\$0
50	key number 50	+\$0	97	key number 97	+\$0
51	key number 51	+\$0	98	key number 98	+\$0
52	key number 52	+\$0	99	key number 99	+\$0
53	key number 53	+\$0			
54	key number 54	+\$0			
55	key number 55	+\$0			
56	key number 56	+\$0			
57	key number 57	+\$0			
58	key number 58	+\$0			
59	key number 59	+\$0			
60	key number 60	+\$0			
61	key number 61	+\$0			
62	key number 62	+\$0			
63	key number 63	+\$0			
64	key number 64	+\$0			
65	key number 65	+\$0			
66	key number 66	+\$0			
67	key number 67	+\$0			
68	key number 68	+\$0			
69	key number 69	+\$0			
70	key number 70	+\$0			
71	key number 71	+\$0			
72	key number 72	+\$0			
73	key number 73	+\$0			
74	key number 74	+\$0			



Product Information

Description

This 92"-high, enclosed cabinet attaches to an architectural wall and must stand on the floor. It has a tambour door that slides vertically for access to cabinet materials. The cabinet is available with or without a lock and holds components that support endoscopes and catheters. Attachment hardware is included.

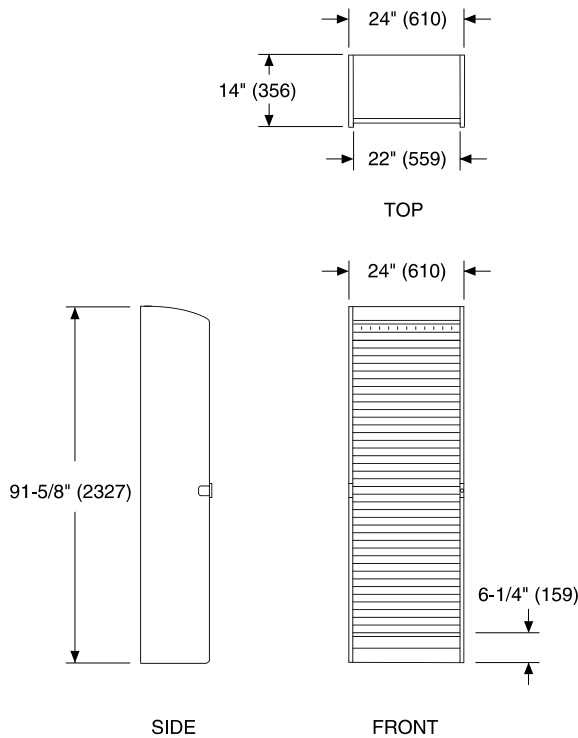
Notes

Order interior components separately:

- Cabinet floor (CV314.)
- Shelf support kit (CV317.)
- Distal tube bracket (CV311.)
- Endoscope bracket (CV310.)

For general information on locks, see Keyed-Alike Information in Appendices.

Dimensions



Specification Information

Step 1.

CV300.9214

Step 2. Lock

For no lock (), skip this step.*

- L** keyed differently
- K** keyed alike

Prices for Steps 1-2.

CV300.9214	\$2620
CV300.9214 L	\$2781
K	\$2781

Step 3. Surface/Door Finish

LU soft white	+ \$0
----------------------	-------

Step 4. Key Number

For keyed alike (K)

01 key number 01	+ \$0
02 key number 02	+ \$0
03 key number 03	+ \$0
04 key number 04	+ \$0
05 key number 05	+ \$0
06 key number 06	+ \$0
07 key number 07	+ \$0
08 key number 08	+ \$0
09 key number 09	+ \$0
10 key number 10	+ \$0
11 key number 11	+ \$0
12 key number 12	+ \$0
13 key number 13	+ \$0
14 key number 14	+ \$0
15 key number 15	+ \$0
16 key number 16	+ \$0
17 key number 17	+ \$0
18 key number 18	+ \$0
19 key number 19	+ \$0
20 key number 20	+ \$0
21 key number 21	+ \$0
22 key number 22	+ \$0
23 key number 23	+ \$0
24 key number 24	+ \$0
25 key number 25	+ \$0
26 key number 26	+ \$0
27 key number 27	+ \$0
28 key number 28	+ \$0

Endoscopy/Catheter Cabinet

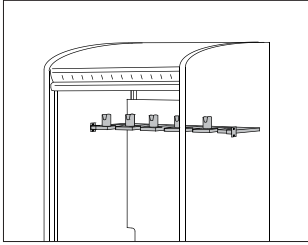
continued

Co/Struc® Storage

29	key number 29	+\$0	76	key number 76	+\$0
30	key number 30	+\$0	77	key number 77	+\$0
31	key number 31	+\$0	78	key number 78	+\$0
32	key number 32	+\$0	79	key number 79	+\$0
33	key number 33	+\$0	80	key number 80	+\$0
34	key number 34	+\$0	81	key number 81	+\$0
35	key number 35	+\$0	82	key number 82	+\$0
36	key number 36	+\$0	83	key number 83	+\$0
37	key number 37	+\$0	84	key number 84	+\$0
38	key number 38	+\$0	85	key number 85	+\$0
39	key number 39	+\$0	86	key number 86	+\$0
40	key number 40	+\$0	87	key number 87	+\$0
41	key number 41	+\$0	88	key number 88	+\$0
42	key number 42	+\$0	89	key number 89	+\$0
43	key number 43	+\$0	90	key number 90	+\$0
44	key number 44	+\$0	91	key number 91	+\$0
45	key number 45	+\$0	92	key number 92	+\$0
46	key number 46	+\$0	93	key number 93	+\$0
47	key number 47	+\$0	94	key number 94	+\$0
48	key number 48	+\$0	95	key number 95	+\$0
49	key number 49	+\$0	96	key number 96	+\$0
50	key number 50	+\$0	97	key number 97	+\$0
51	key number 51	+\$0	98	key number 98	+\$0
52	key number 52	+\$0	99	key number 99	+\$0
53	key number 53	+\$0			
54	key number 54	+\$0			
55	key number 55	+\$0			
56	key number 56	+\$0			
57	key number 57	+\$0			
58	key number 58	+\$0			
59	key number 59	+\$0			
60	key number 60	+\$0			
61	key number 61	+\$0			
62	key number 62	+\$0			
63	key number 63	+\$0			
64	key number 64	+\$0			
65	key number 65	+\$0			
66	key number 66	+\$0			
67	key number 67	+\$0			
68	key number 68	+\$0			
69	key number 69	+\$0			
70	key number 70	+\$0			
71	key number 71	+\$0			
72	key number 72	+\$0			
73	key number 73	+\$0			
74	key number 74	+\$0			
75	key number 75	+\$0			

Endoscope Bracket

CV310.



Product Information

Description

This bracket mounts at any height in a cabinet. It has 5 slots and adjustable cradles for vertical storage of endoscopes. Each slot is 3³/₄" deep. Mounting hardware is included.

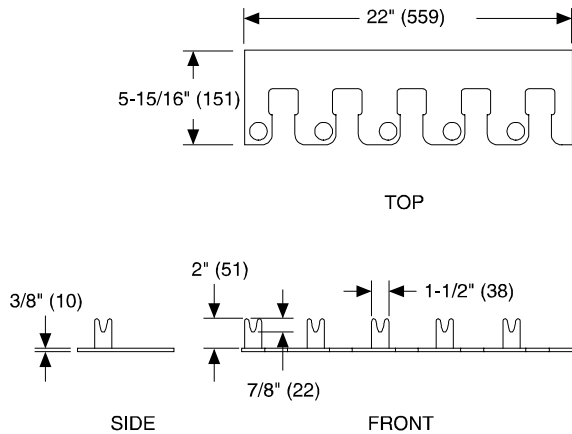
Notes

Order following products separately:

- Cabinet (CV300.)
- Distal tube bracket (CV311)

Recommended installation height is 5¹/₄" below top of cabinet back panel.

Dimensions



Specification Information

Step 1.

CV310. \$403

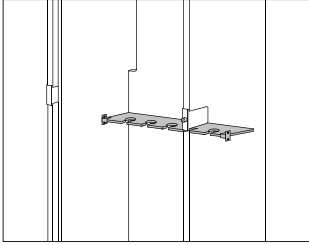
Step 2. Surface Finish

HF	inner tone light	+\$0
LT	light tone	+\$0
LU	soft white	+\$0
WN	warm grey neutral	+\$0

Co/Struc® Storage

Distal Tube Bracket

CV311.



Co/Struc® Storage

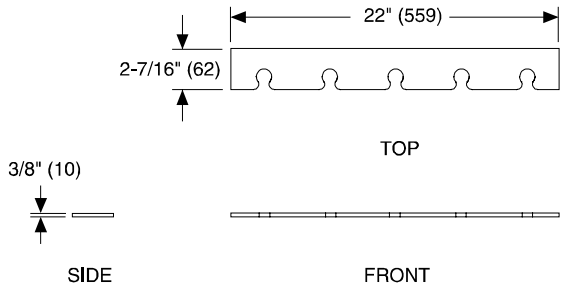
Product Information

Description
 This bracket mounts at any height in a cabinet. It has 5 slots for vertical storage of an endoscope distal tube. Each slot is 7/8" deep. Mounting hardware is included.

Notes

Order following products separately:
 • Cabinet (CV300.)
 • Endoscope bracket (CV310.)
 Recommended installation height is 44 1/4" below top of cabinet back panel.

Dimensions



Specification Information

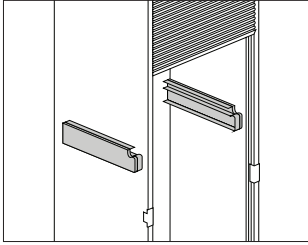
Step 1.
CV311. \$208

Step 2. Surface Finish

HF	inner tone light	+\$0
LT	light tone	+\$0
LU	soft white	+\$0
WN	warm grey neutral	+\$0

Shelf Support Kit

CV317.



Product Information

Description

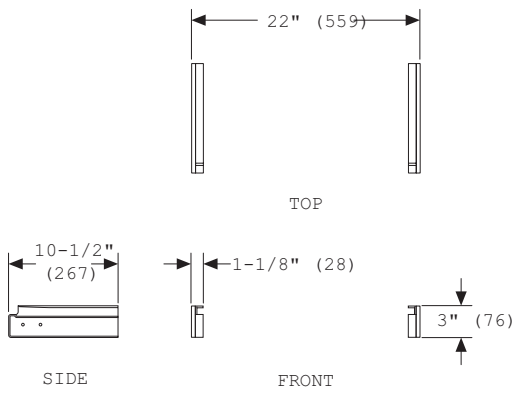
This kit allows the use of shelves inside the endoscopy/catheter cabinet. It includes a pair of bearers and spacers.

Notes

Order shelves separately:

- CS tray/shelf (CO204)
- CS wire shelf (CO253)

Dimensions

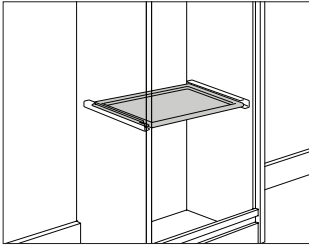


Specification Information

Step 1.

CV317.

\$195



Co/Struc® Storage

Product Information

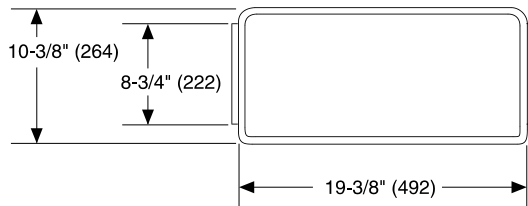
Description

This component provides storage in an endoscopy/catheter cabinet. It has 2 usable surfaces: 1 surface has raised edges to prevent items from rolling off; the reverse surface is flat for applications where raised edges would interfere with material storage.

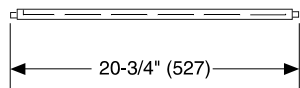
Notes

Order shelf support kit (CV317) separately.
 Tray/shelf surface with raised edges can be configured with subcontainers; order subcontainers separately.

Dimensions



TOP



FRONT

Specification Information

Step 1.

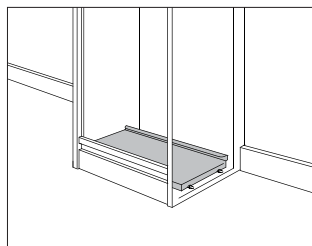
CO204FF \$78

Step 2. Surface Finish

HF	inner tone light	+\$0
LT	light tone	+\$0
LU	soft white	+\$0
WN	warm grey neutral	+\$0

Cabinet Floor

CV314.



Product Information

Description
 This metal floor encloses the bottom of an endoscopy/catheter cabinet. Attachment hardware is included.

Notes
 Order cabinet (CV300.) separately.

Dimensions

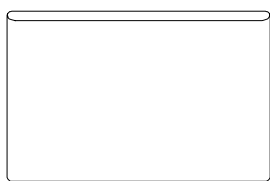
Specification Information

Step 1.
CV314. \$82

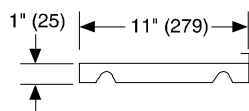
Step 2. Surface Finish

HF	inner tone light	+\$0
LT	light tone	+\$0
LU	soft white	+\$0
WN	warm grey neutral	+\$0

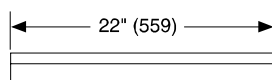
Co/Struc® Storage



TOP



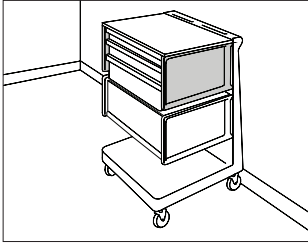
SIDE



FRONT

C Frame

CO205



Co/Struc® Storage

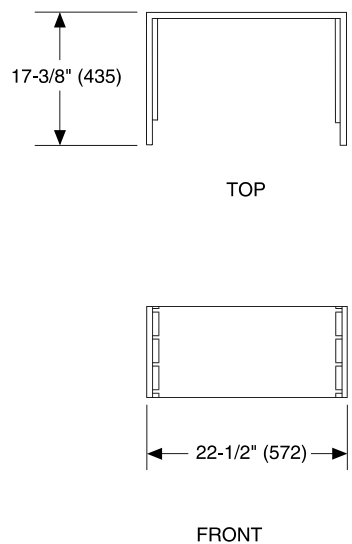
Product Information

Description
 This frame hangs on a standard rail or adapter rail, or it is supported by an L cart, process table, counter top, or heavy-duty storage work surface. It has 4 slots at 3" intervals to enclose and support storage components and accessories. The C frame cannot mount under a 24"-wide work surface and it is not recommended for overhead storage.

Notes

- Order support components separately:
- Adapter rail (C1610.)
 - Counter top (CO555, or CO556)
 - L cart (CO212)
 - Process table (C4115., C4215., or C4313.)
 - Lab work table (C461G., C462G., or C462C.)
 - Standard rail (CO282)
 - Work table (C4312.)
 - Workstation (C4310. or C4311.)
- Order storage components separately:
- C tray/shelf (CO203)
 - Drawer (CO207, CO208, or CO209)

Dimensions



Specification Information

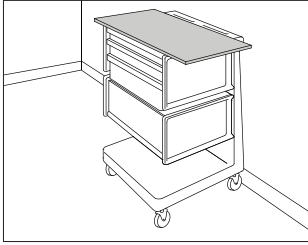
Step 1.
CO205FF \$213

Step 2. Surface Finish

HF	inner tone light	+\$0
LT	light tone	+\$0
LU	soft white	+\$0
WN	warm grey neutral	+\$0

Counter Top

C0555
C0556



Product Information

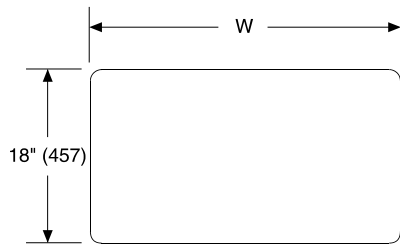
Description

This surface mounts on a C frame to provide a work surface or storage surface. It includes a gripper package for attaching the top to a C frame. The single or extended counter top fits on 1 C frame. The extended counter top extends 4" past each C frame side.

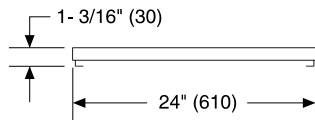
Notes

Order C frame (CO205) separately.

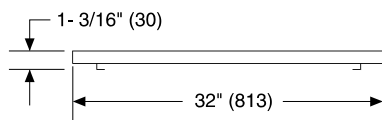
Dimensions



TOP



SINGLE FRONT



EXTENDED FRONT

Specification Information

Step 1.

CO

Step 2. Configuration/Width

555FF single

556FF extended

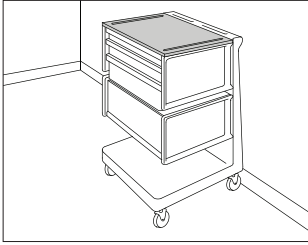
Prices for Steps 1-2.

C0555FF	\$156
C0556FF	\$190

Step 3. Surface Finish

HF	inner tone light	+\$0
LT	light tone	+\$0
LU	soft white	+\$0
WN	warm grey neutral	+\$0

Co/Struc® Storage

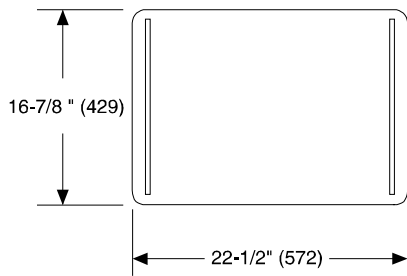


Product Information

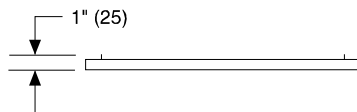
Description
 This lid provides a top for a C frame. It has raised side edges to keep items from sliding off.

Notes
 Use lid when storing L cart below 38"-high process table or cantilevered work surface; existing drawer bearers must be removed.

Dimensions



TOP



FRONT

Co/Struc® Storage

Specification Information

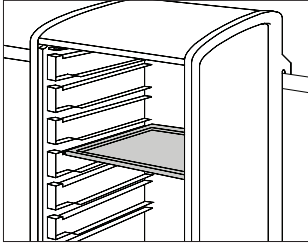
Step 1.
CO201FF \$149

Step 2. Surface Finish

HF	inner tone light	+\$0
LT	light tone	+\$0
LU	soft white	+\$0
WN	warm grey neutral	+\$0

C Tray/Shelf

CO203



Product Information

Description

This component provides storage within a C frame, locker, or interior cabinet adapter. It is designed with 2 usable surfaces: 1 surface has raised edges to prevent items from rolling off; the reverse surface is flat for applications where raised edges would interfere with material storage.

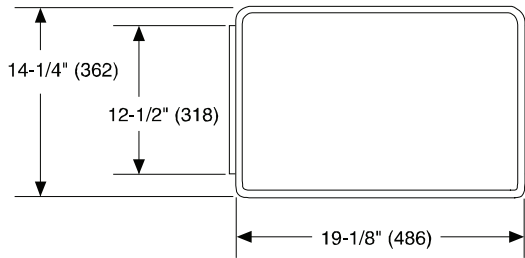
Notes

Order support component separately:

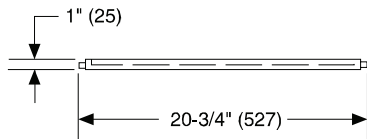
- C frame (CO205)
- Interior cabinet adapter (CG591.)
- Locker or locker on wheel base (CO561, CO562, CO563, or CO564)

Tray/shelf surface with raised edges can be configured with subcontainers or subdivider vane. Order subdivider vane (CO242) or subcontainers separately.

Dimensions



TOP



FRONT

Specification Information

Step 1.

CO203FF \$100

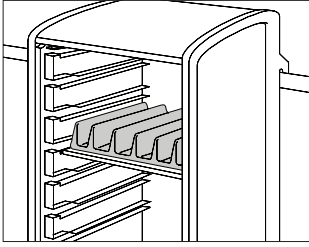
Step 2. Surface Finish

HF	inner tone light	+\$0
LT	light tone	+\$0
LU	soft white	+\$0
WN	warm grey neutral	+\$0

Co/Struc® Storage

Subdivider Vane

CO242



Product Information

Description

This component organizes IV bags, forms, tape rolls, and other small items within a drawer or C tray/shelf.

Dimensions

Specification Information

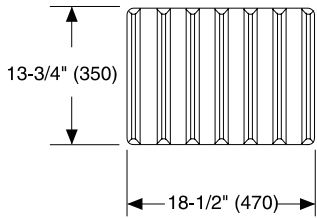
Step 1.

CO242FF \$48

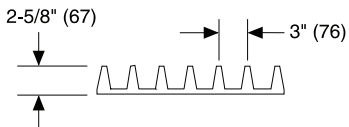
Step 2. Surface Finish

LU soft white +\$0

Co/Struc® Storage



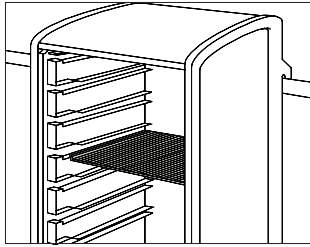
TOP



FRONT

C Wire Shelf

CO252



Product Information

Description

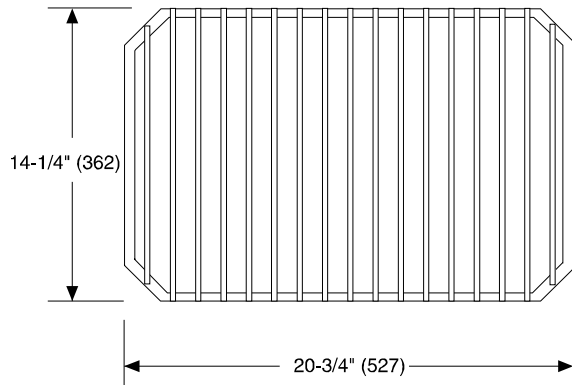
This wire shelf fits into the slots of a C frame, locker, or interior cabinet adapter and stores items requiring air circulation. It cannot be used with a subdivider vane or subdivider.

Notes

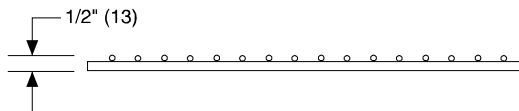
Order support component separately:

- C frame (CO205)
- Interior cabinet adapter (CG591.)
- Locker or locker on wheel base (CO561, CO562, CO563, or CO564)

Dimensions



TOP



FRONT

Specification Information

Step 1.

CO252FF \$129

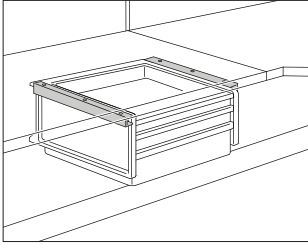
Step 2. Surface Finish

LU soft white +\$0

Co/Struc® Storage

Gripper Package

CO266



Product Information

Description
 This hardware package mounts a C frame under a work surface. 1 gripper package is required to mount each C frame to a work surface. Attachment screws are included.

Notes
 C frame cannot mount with grippers under heavy-duty work surface.

Dimensions

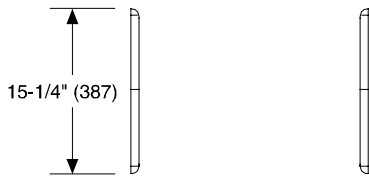
Specification Information

Step 1.
CO266FF \$60

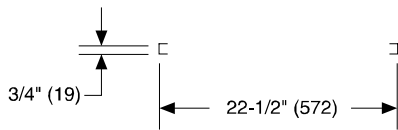
Step 2. Surface Finish

HF	inner tone light	+\$0
LT	light tone	+\$0
LU	soft white	+\$0
WN	warm grey neutral	+\$0

Co/Struc® Storage



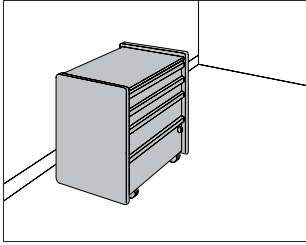
TOP



FRONT

Drawer Caddy with Casters

C0692.
C0693.



Product Information

Description

This mobile caddy fits below a hanging or freestanding work surface. It has full-width pulls, casters, 2 3"-high drawers, 1 6"-high drawer, and 1 9"-high drawer. The drawers can be removed and reconfigured within the caddy or used in other products that accept 20"-wide plastic drawers.

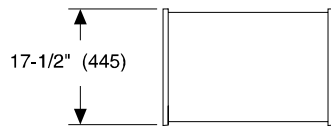
The 9"-high drawer is available with a lock.

Notes

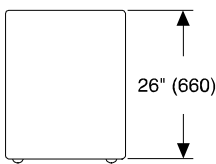
For caddy without drawers, order drawers separately.

For general information on locks, see Keyed-Alike Information in Appendices.

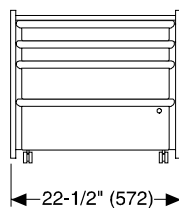
Dimensions



TOP



SIDE



FRONT

Specification Information

Step 1.

C069

Step 2. Configuration

2.20 no drawers

3.20 drawers

Step 3. Lock

For no lock (*), skip this step.

For no drawers (2.20), skip this step.

For drawers (3.20)

L 9"-high drawer keyed differently

K 9"-high drawer keyed alike

Prices for Steps 1-3.

C0692.20	\$1362
C0693.20	\$1813
C0693.20 L	\$1914
K	\$1914

Step 4. Surface Finish

HF	inner tone light	+\$0
LT	light tone	+\$0
LU	soft white	+\$0
WN	warm grey neutral	+\$0

Step 5. Drawer Finish

For drawers (3.20)

1B	khaki	+\$0
2B	juniper	+\$0
3B	beachglass	+\$0
4B	plum	+\$0
5B	java	+\$0
5E	aquamarine	+\$0
6F	midnight	+\$0
DA	deep blue	+\$0
HF	inner tone light	+\$0
LT	light tone	+\$0
LU	soft white	+\$0
VR	vivid red	+\$0
WN	warm grey neutral	+\$0
YT	yellow	+\$0
ZP	terra cotta	+\$0

Drawer Caddy with Casters *continued*

Co/Struc® Storage

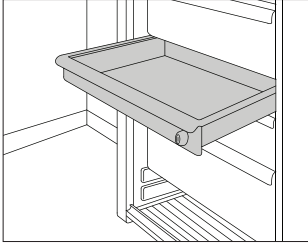
Step 6. Key Number					
<i>For 9"-high drawer keyed alike (K)</i>					
01	key number 01	+\$0	46	key number 46	+\$0
02	key number 02	+\$0	47	key number 47	+\$0
03	key number 03	+\$0	48	key number 48	+\$0
04	key number 04	+\$0	49	key number 49	+\$0
05	key number 05	+\$0	50	key number 50	+\$0
06	key number 06	+\$0	51	key number 51	+\$0
07	key number 07	+\$0	52	key number 52	+\$0
08	key number 08	+\$0	53	key number 53	+\$0
09	key number 09	+\$0	54	key number 54	+\$0
10	key number 10	+\$0	55	key number 55	+\$0
11	key number 11	+\$0	56	key number 56	+\$0
12	key number 12	+\$0	57	key number 57	+\$0
13	key number 13	+\$0	58	key number 58	+\$0
14	key number 14	+\$0	59	key number 59	+\$0
15	key number 15	+\$0	60	key number 60	+\$0
16	key number 16	+\$0	61	key number 61	+\$0
17	key number 17	+\$0	62	key number 62	+\$0
18	key number 18	+\$0	63	key number 63	+\$0
19	key number 19	+\$0	64	key number 64	+\$0
20	key number 20	+\$0	65	key number 65	+\$0
21	key number 21	+\$0	66	key number 66	+\$0
22	key number 22	+\$0	67	key number 67	+\$0
23	key number 23	+\$0	68	key number 68	+\$0
24	key number 24	+\$0	69	key number 69	+\$0
25	key number 25	+\$0	70	key number 70	+\$0
26	key number 26	+\$0	71	key number 71	+\$0
27	key number 27	+\$0	72	key number 72	+\$0
28	key number 28	+\$0	73	key number 73	+\$0
29	key number 29	+\$0	74	key number 74	+\$0
30	key number 30	+\$0	75	key number 75	+\$0
31	key number 31	+\$0	76	key number 76	+\$0
32	key number 32	+\$0	77	key number 77	+\$0
33	key number 33	+\$0	78	key number 78	+\$0
34	key number 34	+\$0	79	key number 79	+\$0
35	key number 35	+\$0	80	key number 80	+\$0
36	key number 36	+\$0	81	key number 81	+\$0
37	key number 37	+\$0	82	key number 82	+\$0
38	key number 38	+\$0	83	key number 83	+\$0
39	key number 39	+\$0	84	key number 84	+\$0
40	key number 40	+\$0	85	key number 85	+\$0
41	key number 41	+\$0	86	key number 86	+\$0
42	key number 42	+\$0	87	key number 87	+\$0
43	key number 43	+\$0	88	key number 88	+\$0
44	key number 44	+\$0	89	key number 89	+\$0
45	key number 45	+\$0	90	key number 90	+\$0
			91	key number 91	+\$0
			92	key number 92	+\$0

Drawer Caddy with Casters *continued*

93	key number 93	+\$0
94	key number 94	+\$0
95	key number 95	+\$0
96	key number 96	+\$0
97	key number 97	+\$0
98	key number 98	+\$0
99	key number 99	+\$0

Drawer

CO207
CO208
CO209



Product Information

Description

This drawer fits into a locker or C frame and has stops to prevent accidental removal. It can also be mounted under a work surface using drawer bearers, ordered separately. The drawer is available with no lock, a keyed lock, or keyless lock.

Notes

To mount drawer under table or work surface, order drawer bearer package (CO228) or lockable drawer bearer (CO396) separately. Order optional A-size subcontainer (CO231, CO232, CO233, CO234, CO235, or CO369) or B-size subcontainer (CO236, CO238, or CO240) separately.

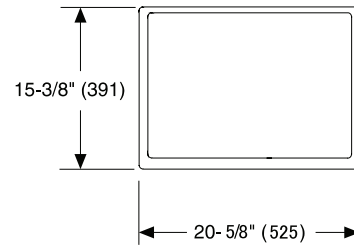
Drawer with keyless lock option (KP) cannot be used in locker with tambour door.

Keyed lock is located on right side; keyless lock is located on left side.

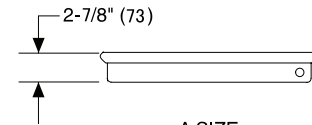
For general information on locks, see Keyed-Alike Information in Appendices.

Co/Struc® Storage

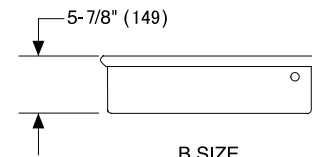
Dimensions



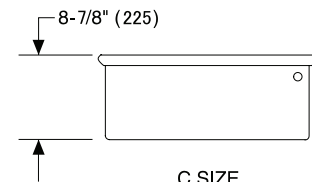
TOP



A SIZE
FRONT



B SIZE
FRONT



C SIZE
FRONT

Drawer *continued*

Specification Information

Step 1.

CO20

Step 2. Size/Height

- 7** a size
- 8** b size
- 9** c size

Step 3. Lock

- FF** no lock
- FL** keyed differently
- KA** keyed alike
- KP** keyless lock

Prices for Steps 1-3.

CO207	FF	\$92
	FL	\$192
	KA	\$192
	KP	\$617
<hr/>		
CO208	FF	\$118
	FL	\$219
	KA	\$219
	KP	\$643
<hr/>		
CO209	FF	\$149
	FL	\$250
	KA	\$250
	KP	\$674

Step 4. Surface Finish

1B	khaki	+\$0
2B	juniper	+\$0
3B	beachglass	+\$0
4B	plum	+\$0
5B	java	+\$0
5E	aquamarine	+\$0
6F	midnight	+\$0
DA	deep blue	+\$0
HF	inner tone light	+\$0
LT	light tone	+\$0
LU	soft white	+\$0
VR	vivid red	+\$0
WN	warm grey neutral	+\$0
YT	yellow	+\$0
ZP	terra cotta	+\$0

Step 5. Key Number

For keyed alike (KA)

01	key number 01	+\$0
02	key number 02	+\$0
03	key number 03	+\$0
04	key number 04	+\$0
05	key number 05	+\$0
06	key number 06	+\$0
07	key number 07	+\$0
08	key number 08	+\$0
09	key number 09	+\$0
10	key number 10	+\$0
11	key number 11	+\$0
12	key number 12	+\$0
13	key number 13	+\$0
14	key number 14	+\$0
15	key number 15	+\$0
16	key number 16	+\$0
17	key number 17	+\$0
18	key number 18	+\$0
19	key number 19	+\$0
20	key number 20	+\$0
21	key number 21	+\$0
22	key number 22	+\$0
23	key number 23	+\$0
24	key number 24	+\$0
25	key number 25	+\$0
26	key number 26	+\$0
27	key number 27	+\$0
28	key number 28	+\$0
29	key number 29	+\$0
30	key number 30	+\$0
31	key number 31	+\$0
32	key number 32	+\$0
33	key number 33	+\$0
34	key number 34	+\$0
35	key number 35	+\$0
36	key number 36	+\$0
37	key number 37	+\$0
38	key number 38	+\$0
39	key number 39	+\$0
40	key number 40	+\$0
41	key number 41	+\$0
42	key number 42	+\$0
43	key number 43	+\$0
44	key number 44	+\$0
45	key number 45	+\$0

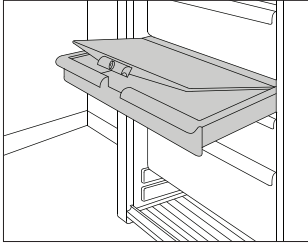
Drawer *continued*

Co/Struc® Storage

46	key number 46	+\$0	93	key number 93	+\$0
47	key number 47	+\$0	94	key number 94	+\$0
48	key number 48	+\$0	95	key number 95	+\$0
49	key number 49	+\$0	96	key number 96	+\$0
50	key number 50	+\$0	97	key number 97	+\$0
51	key number 51	+\$0	98	key number 98	+\$0
52	key number 52	+\$0	99	key number 99	+\$0
53	key number 53	+\$0			
54	key number 54	+\$0			
55	key number 55	+\$0			
56	key number 56	+\$0			
57	key number 57	+\$0			
58	key number 58	+\$0			
59	key number 59	+\$0			
60	key number 60	+\$0			
61	key number 61	+\$0			
62	key number 62	+\$0			
63	key number 63	+\$0			
64	key number 64	+\$0			
65	key number 65	+\$0			
66	key number 66	+\$0			
67	key number 67	+\$0			
68	key number 68	+\$0			
69	key number 69	+\$0			
70	key number 70	+\$0			
71	key number 71	+\$0			
72	key number 72	+\$0			
73	key number 73	+\$0			
74	key number 74	+\$0			
75	key number 75	+\$0			
76	key number 76	+\$0			
77	key number 77	+\$0			
78	key number 78	+\$0			
79	key number 79	+\$0			
80	key number 80	+\$0			
81	key number 81	+\$0			
82	key number 82	+\$0			
83	key number 83	+\$0			
84	key number 84	+\$0			
85	key number 85	+\$0			
86	key number 86	+\$0			
87	key number 87	+\$0			
88	key number 88	+\$0			
89	key number 89	+\$0			
90	key number 90	+\$0			
91	key number 91	+\$0			
92	key number 92	+\$0			

Drawer with Lockable Lid

C0370
C0372
C0374



Product Information

Description

This drawer has a hinged steel lid that can be locked. The lid can open when the drawer is pulled out to a stop position; the lid cannot be removed.

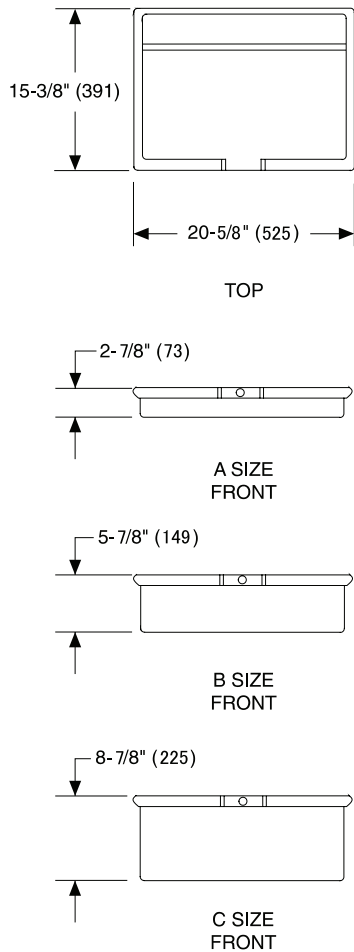
The drawer is 3", 6", or 9" high.

Notes

For B-size drawer with lockable lid, order A-size subcontainer only. For C-size drawer with lockable lid, order A- or B-size subcontainers only.

For general information on locks, see Keyed-Alike Information in Appendices.

Dimensions



Specification Information

Step 1.

C037

Step 2. Size/Height

0 a size
2 b size
4 c size

Step 3. Lid Lock

FF keyed differently
KA keyed alike

Prices for Steps 1-3.

C0370	FF	\$317
	KA	\$317
C0372	FF	\$344
	KA	\$344
C0374	FF	\$376
	KA	\$376

Step 4. Drawer Finish

1B	khaki	+\$0
2B	juniper	+\$0
3B	beachglass	+\$0
4B	plum	+\$0
5B	java	+\$0
5E	aquamarine	+\$0
6F	midnight	+\$0
DA	deep blue	+\$0
HF	inner tone light	+\$0
LT	light tone	+\$0
LU	soft white	+\$0
VR	vivid red	+\$0
WN	warm grey neutral	+\$0
YT	yellow	+\$0
ZP	terra cotta	+\$0

Step 5. Lid Finish

LU soft white +\$0

Step 6. Key Number

For keyed alike (KA)

01 key number 01 +\$0
02 key number 02 +\$0

Drawer with Lockable Lid *continued*

Co/Struc® Storage

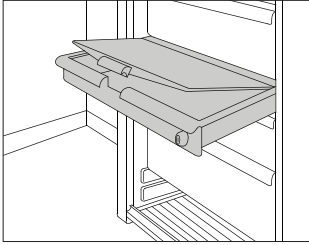
03	key number 03	+\$0	50	key number 50	+\$0
04	key number 04	+\$0	51	key number 51	+\$0
05	key number 05	+\$0	52	key number 52	+\$0
06	key number 06	+\$0	53	key number 53	+\$0
07	key number 07	+\$0	54	key number 54	+\$0
08	key number 08	+\$0	55	key number 55	+\$0
09	key number 09	+\$0	56	key number 56	+\$0
10	key number 10	+\$0	57	key number 57	+\$0
11	key number 11	+\$0	58	key number 58	+\$0
12	key number 12	+\$0	59	key number 59	+\$0
13	key number 13	+\$0	60	key number 60	+\$0
14	key number 14	+\$0	61	key number 61	+\$0
15	key number 15	+\$0	62	key number 62	+\$0
16	key number 16	+\$0	63	key number 63	+\$0
17	key number 17	+\$0	64	key number 64	+\$0
18	key number 18	+\$0	65	key number 65	+\$0
19	key number 19	+\$0	66	key number 66	+\$0
20	key number 20	+\$0	67	key number 67	+\$0
21	key number 21	+\$0	68	key number 68	+\$0
22	key number 22	+\$0	69	key number 69	+\$0
23	key number 23	+\$0	70	key number 70	+\$0
24	key number 24	+\$0	71	key number 71	+\$0
25	key number 25	+\$0	72	key number 72	+\$0
26	key number 26	+\$0	73	key number 73	+\$0
27	key number 27	+\$0	74	key number 74	+\$0
28	key number 28	+\$0	75	key number 75	+\$0
29	key number 29	+\$0	76	key number 76	+\$0
30	key number 30	+\$0	77	key number 77	+\$0
31	key number 31	+\$0	78	key number 78	+\$0
32	key number 32	+\$0	79	key number 79	+\$0
33	key number 33	+\$0	80	key number 80	+\$0
34	key number 34	+\$0	81	key number 81	+\$0
35	key number 35	+\$0	82	key number 82	+\$0
36	key number 36	+\$0	83	key number 83	+\$0
37	key number 37	+\$0	84	key number 84	+\$0
38	key number 38	+\$0	85	key number 85	+\$0
39	key number 39	+\$0	86	key number 86	+\$0
40	key number 40	+\$0	87	key number 87	+\$0
41	key number 41	+\$0	88	key number 88	+\$0
42	key number 42	+\$0	89	key number 89	+\$0
43	key number 43	+\$0	90	key number 90	+\$0
44	key number 44	+\$0	91	key number 91	+\$0
45	key number 45	+\$0	92	key number 92	+\$0
46	key number 46	+\$0	93	key number 93	+\$0
47	key number 47	+\$0	94	key number 94	+\$0
48	key number 48	+\$0	95	key number 95	+\$0
49	key number 49	+\$0	96	key number 96	+\$0

Drawer with Lockable Lid *continued*

97	key number 97	+\$0
98	key number 98	+\$0
99	key number 99	+\$0

Locked Drawer with Lid

C0549
C0550
C0551



Product Information

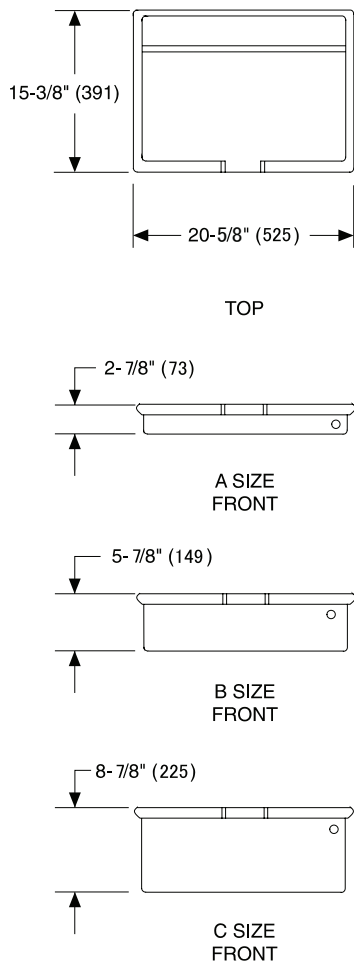
Description

This drawer fits into a locker and has stops to prevent accidental removal. It has a non-removable lid that can open when the drawer is pulled out. The drawer is available with a keyed lock or keyless lock.

Notes

Locked drawer with lid cannot be used with a C frame.
 Drawer with keyless lock option (KP) cannot be used in locker with tambour door.
 Keyed lock is located on right side; keyless lock is located on left side.
 For general information on locks, see Keyed-Alike Information in Appendices.

Dimensions



Specification Information

Step 1.

C05

Step 2. Size/Height

49 a size
50 b size
51 c size

Step 3. Drawer Lock

FL keyed differently
KA keyed alike
KP keyless lock

Prices for Steps 1-3.

C0549	FL	\$320
	KA	\$320
	KP	\$749
C0550	FL	\$346
	KA	\$346
	KP	\$774
C0551	FL	\$378
	KA	\$378
	KP	\$806

Step 4. Drawer Finish

1B	khaki	+\$0
2B	juniper	+\$0
3B	beachglass	+\$0
4B	plum	+\$0
5B	java	+\$0
5E	aquamarine	+\$0
6F	midnight	+\$0
DA	deep blue	+\$0
HF	inner tone light	+\$0
LT	light tone	+\$0
LU	soft white	+\$0
VR	vivid red	+\$0
WN	warm grey neutral	+\$0
YT	yellow	+\$0
ZP	terra cotta	+\$0

Step 5. Drawer Key Number

For keyed alike (KA)

01	key number 01	+\$0
-----------	---------------	------

Locked Drawer with Lid *continued*

02	key number 02	+\$0	49	key number 49	+\$0
03	key number 03	+\$0	50	key number 50	+\$0
04	key number 04	+\$0	51	key number 51	+\$0
05	key number 05	+\$0	52	key number 52	+\$0
06	key number 06	+\$0	53	key number 53	+\$0
07	key number 07	+\$0	54	key number 54	+\$0
08	key number 08	+\$0	55	key number 55	+\$0
09	key number 09	+\$0	56	key number 56	+\$0
10	key number 10	+\$0	57	key number 57	+\$0
11	key number 11	+\$0	58	key number 58	+\$0
12	key number 12	+\$0	59	key number 59	+\$0
13	key number 13	+\$0	60	key number 60	+\$0
14	key number 14	+\$0	61	key number 61	+\$0
15	key number 15	+\$0	62	key number 62	+\$0
16	key number 16	+\$0	63	key number 63	+\$0
17	key number 17	+\$0	64	key number 64	+\$0
18	key number 18	+\$0	65	key number 65	+\$0
19	key number 19	+\$0	66	key number 66	+\$0
20	key number 20	+\$0	67	key number 67	+\$0
21	key number 21	+\$0	68	key number 68	+\$0
22	key number 22	+\$0	69	key number 69	+\$0
23	key number 23	+\$0	70	key number 70	+\$0
24	key number 24	+\$0	71	key number 71	+\$0
25	key number 25	+\$0	72	key number 72	+\$0
26	key number 26	+\$0	73	key number 73	+\$0
27	key number 27	+\$0	74	key number 74	+\$0
28	key number 28	+\$0	75	key number 75	+\$0
29	key number 29	+\$0	76	key number 76	+\$0
30	key number 30	+\$0	77	key number 77	+\$0
31	key number 31	+\$0	78	key number 78	+\$0
32	key number 32	+\$0	79	key number 79	+\$0
33	key number 33	+\$0	80	key number 80	+\$0
34	key number 34	+\$0	81	key number 81	+\$0
35	key number 35	+\$0	82	key number 82	+\$0
36	key number 36	+\$0	83	key number 83	+\$0
37	key number 37	+\$0	84	key number 84	+\$0
38	key number 38	+\$0	85	key number 85	+\$0
39	key number 39	+\$0	86	key number 86	+\$0
40	key number 40	+\$0	87	key number 87	+\$0
41	key number 41	+\$0	88	key number 88	+\$0
42	key number 42	+\$0	89	key number 89	+\$0
43	key number 43	+\$0	90	key number 90	+\$0
44	key number 44	+\$0	91	key number 91	+\$0
45	key number 45	+\$0	92	key number 92	+\$0
46	key number 46	+\$0	93	key number 93	+\$0
47	key number 47	+\$0	94	key number 94	+\$0
48	key number 48	+\$0	95	key number 95	+\$0

Co/Struc® Storage

Locked Drawer with Lid *continued*

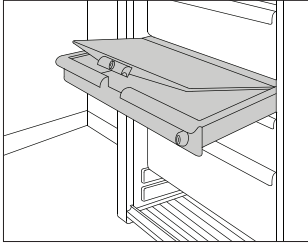
96	key number 96	+\$0
97	key number 97	+\$0
98	key number 98	+\$0
99	key number 99	+\$0

Step 6. Lid Finish		
LU	soft white	+\$0

Co/Struc® Storage

Locked Drawer with Lockable Lid

C0371
C0373
C0375



Product Information

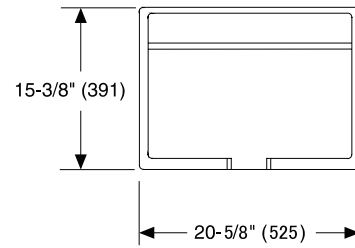
Description

This drawer fits into a locker and has stops to prevent accidental removal. It has a lockable, non-removable lid that can open when the drawer is pulled out. The drawer is available with a keyed lock or keyless lock.

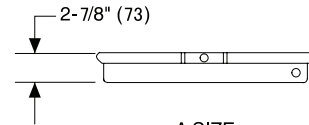
Notes

Locked drawer with lockable lid cannot be used with a C frame.
 Drawer with keyless lock option (KP) cannot be used in locker with tambour door.
 Keyed lock is located on right side; keyless lock is located on left side.
 For general information on locks, see Keyed-Alike Information in Appendices.

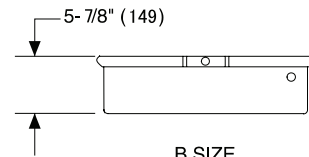
Dimensions



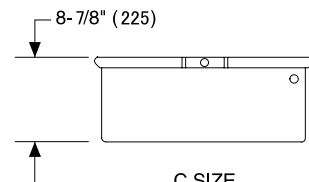
TOP



A SIZE FRONT



B SIZE FRONT



C SIZE FRONT

Locked Drawer with Lockable Lid

continued

Co/Struc® Storage

Specification Information	
Step 1.	
CO37	
Step 2. Size/Height	
1	a size
3	b size
5	c size
Step 3. Drawer/Lid Lock	
FF	keyed differently
KA	keyed alike
KP	keyless lock
Prices for Steps 1-3.	
CO371	FF \$410
	KA \$410
	KP \$840
CO373	FF \$437
	KA \$437
	KP \$866
CO375	FF \$468
	KA \$468
	KP \$897
Step 4. Drawer Finish	
1B	khaki +\$0
2B	juniper +\$0
3B	beachglass +\$0
4B	plum +\$0
5B	java +\$0
5E	aquamarine +\$0
6F	midnight +\$0
DA	deep blue +\$0
HF	inner tone light +\$0
LT	light tone +\$0
LU	soft white +\$0
VR	vivid red +\$0
WN	warm grey neutral +\$0
YT	yellow +\$0
ZP	terra cotta +\$0
Step 5. Drawer Key Number	
<i>For keyed alike (KA)</i>	
01	key number 01 +\$0

02	key number 02	+\$0
03	key number 03	+\$0
04	key number 04	+\$0
05	key number 05	+\$0
06	key number 06	+\$0
07	key number 07	+\$0
08	key number 08	+\$0
09	key number 09	+\$0
10	key number 10	+\$0
11	key number 11	+\$0
12	key number 12	+\$0
13	key number 13	+\$0
14	key number 14	+\$0
15	key number 15	+\$0
16	key number 16	+\$0
17	key number 17	+\$0
18	key number 18	+\$0
19	key number 19	+\$0
20	key number 20	+\$0
21	key number 21	+\$0
22	key number 22	+\$0
23	key number 23	+\$0
24	key number 24	+\$0
25	key number 25	+\$0
26	key number 26	+\$0
27	key number 27	+\$0
28	key number 28	+\$0
29	key number 29	+\$0
30	key number 30	+\$0
31	key number 31	+\$0
32	key number 32	+\$0
33	key number 33	+\$0
34	key number 34	+\$0
35	key number 35	+\$0
36	key number 36	+\$0
37	key number 37	+\$0
38	key number 38	+\$0
39	key number 39	+\$0
40	key number 40	+\$0
41	key number 41	+\$0
42	key number 42	+\$0
43	key number 43	+\$0
44	key number 44	+\$0
45	key number 45	+\$0
46	key number 46	+\$0
47	key number 47	+\$0
48	key number 48	+\$0

Locked Drawer with Lockable Lid

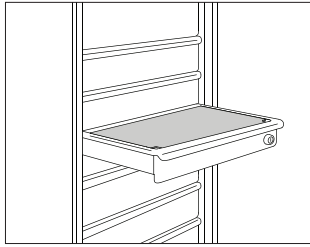
continued

Co/Struc® Storage

38	key number 38	+\$0	85	key number 85	+\$0
39	key number 39	+\$0	86	key number 86	+\$0
40	key number 40	+\$0	87	key number 87	+\$0
41	key number 41	+\$0	88	key number 88	+\$0
42	key number 42	+\$0	89	key number 89	+\$0
43	key number 43	+\$0	90	key number 90	+\$0
44	key number 44	+\$0	91	key number 91	+\$0
45	key number 45	+\$0	92	key number 92	+\$0
46	key number 46	+\$0	93	key number 93	+\$0
47	key number 47	+\$0	94	key number 94	+\$0
48	key number 48	+\$0	95	key number 95	+\$0
49	key number 49	+\$0	96	key number 96	+\$0
50	key number 50	+\$0	97	key number 97	+\$0
51	key number 51	+\$0	98	key number 98	+\$0
52	key number 52	+\$0	99	key number 99	+\$0
53	key number 53	+\$0			
54	key number 54	+\$0			
55	key number 55	+\$0			
56	key number 56	+\$0			
57	key number 57	+\$0			
58	key number 58	+\$0			
59	key number 59	+\$0			
60	key number 60	+\$0			
61	key number 61	+\$0			
62	key number 62	+\$0			
63	key number 63	+\$0			
64	key number 64	+\$0			
65	key number 65	+\$0			
66	key number 66	+\$0			
67	key number 67	+\$0			
68	key number 68	+\$0			
69	key number 69	+\$0			
70	key number 70	+\$0			
71	key number 71	+\$0			
72	key number 72	+\$0			
73	key number 73	+\$0			
74	key number 74	+\$0			
75	key number 75	+\$0			
76	key number 76	+\$0			
77	key number 77	+\$0			
78	key number 78	+\$0			
79	key number 79	+\$0			
80	key number 80	+\$0			
81	key number 81	+\$0			
82	key number 82	+\$0			
83	key number 83	+\$0			
84	key number 84	+\$0			

Clear Lid

C0508.



Product Information

Description

This clear lid fits on a Co/Struc drawer and provides top closure.

Notes

Order drawer (C0207, C0208, or C0209) separately.

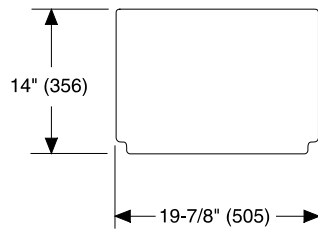
Dimensions

Specification Information

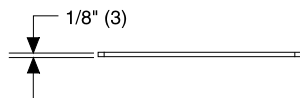
Step 1.

C0508.20

\$137



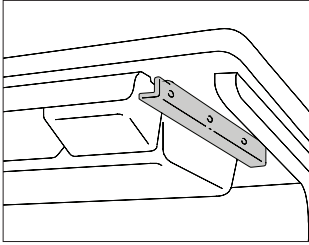
TOP



FRONT

Drawer Bearer Package

CO228

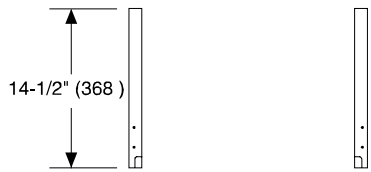


Product Information

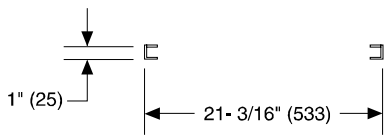
Description

This package is used to mount a nonlocking drawer under a work surface. The drawer bearer has integral stops to prevent drawers from falling when pulled out. Mounting hardware is included.

Dimensions



TOP



FRONT

Specification Information

Step 1.

CO228FF \$32

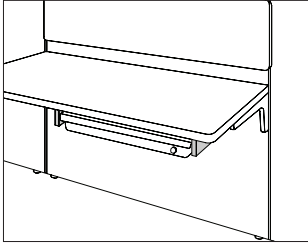
Step 2. Surface Finish

BK black +\$0

Co/Struc® Storage

Lockable Drawer Bearer

C0396



Product Information

Description

This component is used to mount a drawer with lock under a work surface. The lockable drawer bearer has integral stops to prevent drawers from falling when pulled out. Mounting hardware is included.

Dimensions

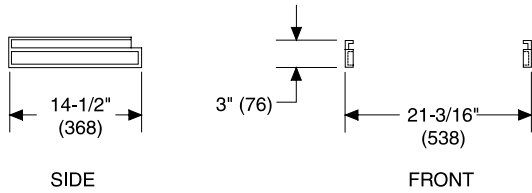
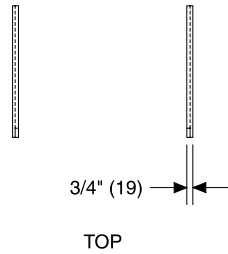
Specification Information

Step 1.

C0396FF \$73

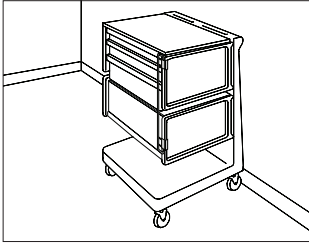
Step 2. Surface Finish

BK black +\$0



Breakaway Lock Assembly

CO473



Product Information

Description
This assembly holds drawers in place on an L cart and indicates that the drawers are unaltered. It must be used with 2 C frames.

Notes
Order breakaway tabs (CT709.) separately.

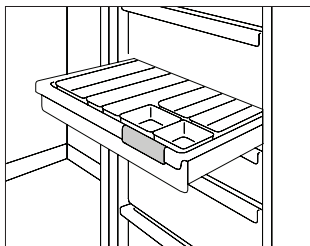
Specification Information

Step 1.	
CO473FF	\$303
Step 2. Surface Finish	
LU soft white	+\$0

Co/Struc® Storage

Label Clip

C0274
C0462

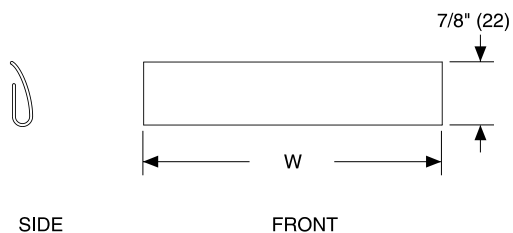


Product Information

Description

This clip snaps onto a drawer, tray/shelf, or flipper to hold content labels. The clip accepts pressure-sensitive labels from the front or slide-in labels from the back. Finish is clear. Package contains 12 clips; labels not included.

Dimensions



Specification Information

Step 1.

C0

Step 2. Width

27427 6" wide

462 19" wide

Prices for Steps 1-2.

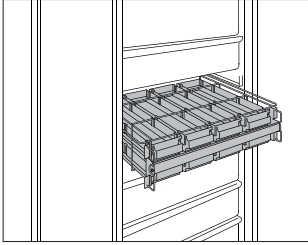
C027427

\$27

C0462

\$50

Co/Struc® Storage



Product Information

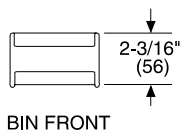
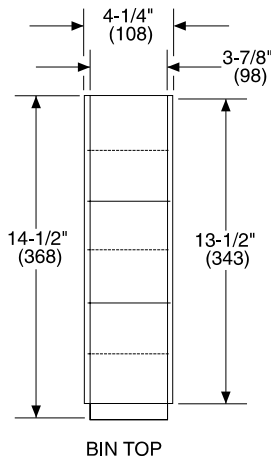
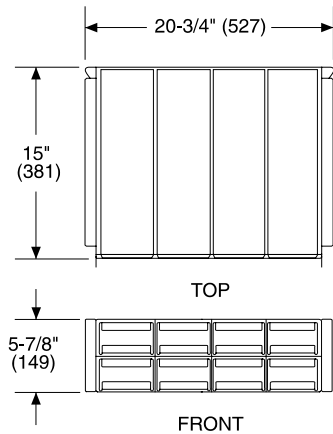
Description

This assembly fits inside a locker or C frame or fits below a work surface with a drawer bearer. It has a wire cassette, cassette bins, and subdividers. The assembly fills 2 slots in a locker or C frame.

Notes

Order optional cassette cover (C0566) separately.

Dimensions



Specification Information

Step 1.

C0565FF \$474

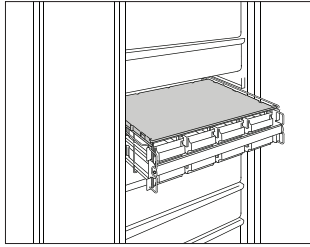
Step 2. Surface Finish

LU soft white +\$0

Co/Struc® Storage

Cassette Cover

C0566



Product Information

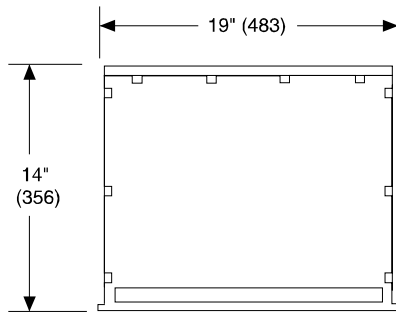
Description

This cover fits on a cassette assembly and provides top closure.

Notes

Order cassette assembly (C0565) separately.

Dimensions



TOP



FRONT

Specification Information

Step 1.

C0566FF

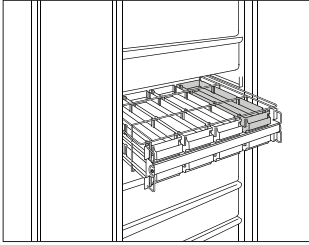
\$105

Step 2. Surface Finish

LU soft white

+\$0

Co/Struc® Storage

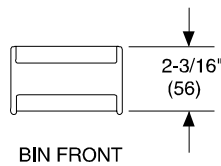
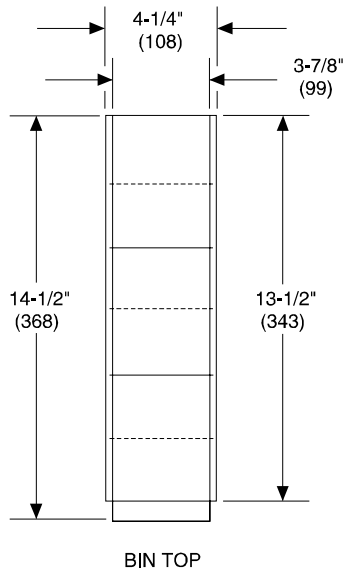


Product Information

Description
 This bin fits inside a cassette assembly. Package contains 10 bins, 20 dividers, and 10 label clips.

Notes
 Order cassette assembly (C0565) separately.

Dimensions



Specification Information

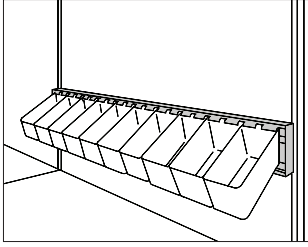
Step 1.
C0567FF \$168

Step 2. Surface Finish
LU soft white +\$0

Co/Struc® Storage

Dispensing Rail

C0365
C0366
C0367
C0368



Product Information

Description

This rail attaches to a panel, a freestanding module, or wall strips to support subcontainers at a 15° angle for gravity-feed dispensing.

Package contains 2.

The A-size rail holds A-size subcontainers; the B-size rail holds B-size subcontainers.

Notes

Dispensing rails hold the following number of subcontainers:

A-Size Rail Width—Number of Subcontainers

24" — 5 A-1, A-2, A-3 or A-4

24" — 2 A-5

24" — 10 A-8

48" — 10 A-1, A-2, A-3, or A-4

48" — 5 A-5

48" — 20 A-8

B-Size Rail Width—Number of Subcontainers

24" — 5 B-1 or B-3

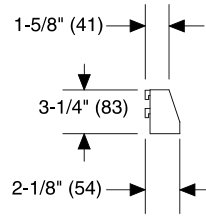
24" — 2 B-5

48" — 10 B-1 or B-3

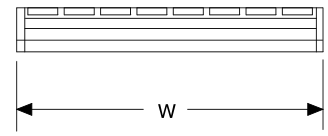
48" — 5 B-5

Order optional A-size subcontainer (C0231, C0232, C0233, C0234, C0235, or C0369) or B-size subcontainer (C0236, C0238, or C0240) separately.

Dimensions

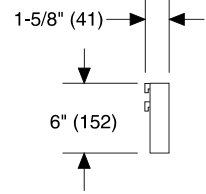


SIDE

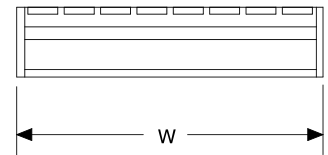


A-SIZE

FRONT



SIDE



B-SIZE

FRONT

Dispensing Rail *continued*

Co/Struc® Storage

Specification Information

Step 1.

CO36

Step 2. Size/Width

- 5FF** a size and 24" wide
- 6FF** a size and 48" wide
- 7FF** b size and 24" wide
- 8FF** b size and 48" wide

Prices for Steps 1-2.

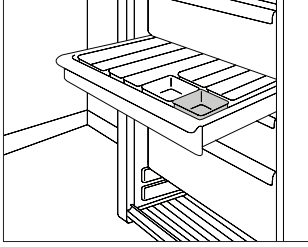
CO365FF	\$336
CO366FF	\$442
CO367FF	\$373
CO368FF	\$447

Step 3. Surface Finish

LU soft white + \$0

Subcontainer

CO231
CO232
CO233
CO234
CO235
CO236
CO238
CO240
CO369



Product Information

Description

This storage container fits into a drawer or onto a dispensing rail to organize and store small items. Package contains 12.

The A-size subcontainer is used with an A-size drawer (without lid) or A-size dispensing rail. It is $2\frac{3}{16}$ " high; depth and width dimensions are:

Type—Depth—Width

A-1— $4\frac{9}{16}$ "— $4\frac{9}{16}$ "

A-2— $9\frac{3}{16}$ "— $4\frac{9}{16}$ "

A-3— $13\frac{13}{16}$ "— $4\frac{9}{16}$ "

A-4— $18\frac{7}{16}$ "— $4\frac{9}{16}$ "

A-5— $9\frac{3}{16}$ "— $9\frac{3}{16}$ "

A-8— $13\frac{13}{16}$ "— $2\frac{1}{4}$ "

The B-size subcontainer is used with a B-size drawer (without lid), B-size dispensing rail, or C-size drawer. It is $5\frac{3}{16}$ " high; depth and width dimensions are:

Type—Depth—Width

B-1— $4\frac{9}{16}$ "— $4\frac{9}{16}$ "

B-3— $13\frac{13}{16}$ "— $4\frac{9}{16}$ "

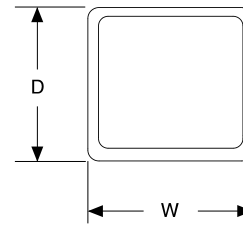
B-5— $9\frac{3}{16}$ "— $9\frac{3}{16}$ "

Notes

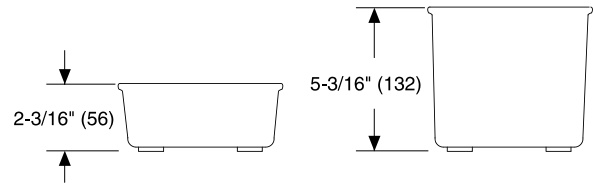
Order following products separately:

- Drawer (CO207, CO208, or CO209)
- Dispensing rail (CO365, CO366, CO367, or CO368)

Dimensions



TOP



A-SIZE
FRONT

B-SIZE
FRONT

Specification Information

Step 1.

CO

Step 2. Size

- 231FF** a-1
- 232FF** a-2
- 233FF** a-3
- 234FF** a-4
- 235FF** a-5
- 369FF** a-8
- 236FF** b-1
- 238FF** b-3
- 240FF** b-5

Prices for Steps 1-2.

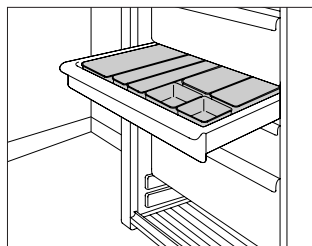
CO231FF	\$73
CO232FF	\$73
CO233FF	\$80
CO234FF	\$80
CO235FF	\$80
CO369FF	\$75
CO236FF	\$80
CO238FF	\$110
CO240FF	\$110

Step 3. Surface Finish

LU soft white + \$0

A-Size Drawer Organizer Kit

- C0540
- C0541
- C0542
- C0543
- C0544
- C0545



Product Information

Description

This kit fits inside an A-size drawer (without lid) and has 6 combinations of subcontainers and subcontainer dividers.

A-size subcontainer is 2³/₁₆" high. Width and depth dimensions are:

Type—Width—Depth

A-1—4⁹/₁₆"—4⁹/₁₆"

A-2—4⁹/₁₆"—9³/₁₆"

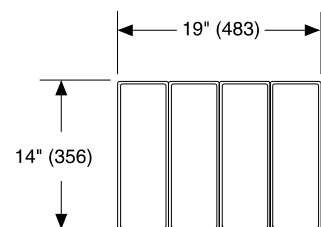
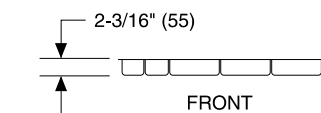
A-3—4⁹/₁₆"—13¹³/₁₆"

A-4—4⁹/₁₆"—18⁷/₁₆"

A-5—9³/₁₆"—9³/₁₆"

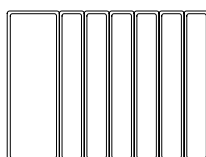
A-8—2¹/₄"—13¹³/₁₆"

Dimensions

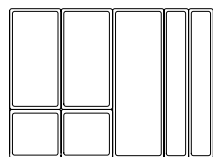


C0540FF

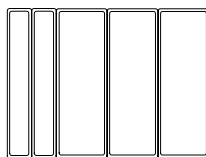
TOP



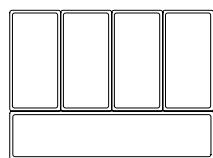
C0541FF



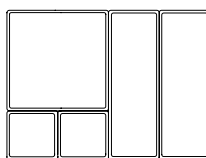
C0542FF



C0543FF



C0544FF



C0545FF

Specification Information

Step 1.

C054

Step 2. Components

- 0FF** 4 a-3 subcontainers, 6 a-3 dividers
- 1FF** 1 a-3 subcontainer, 6 a-8 subcontainers, 2 a-3 dividers, 7 a-8 dividers
- 2FF** 2 a-1 subcontainers, 2 a-2 subcontainers, 1 a-3 subcontainer, 2 a-8 subcontainers, 4 a-3 dividers, 3 a-8 dividers
- 3FF** 3 a-3 subcontainers, 2 a-8 subcontainers, 4 a-3 dividers, 3 a-8 dividers
- 4FF** 4 a-2 subcontainers, 1 a-4 subcontainer, 8 a-3 dividers
- 5FF** 2 a-1 subcontainers, 2 a-3 subcontainers, 1 a-5 subcontainer, 4 a-3 dividers

Prices for Steps 1-2.

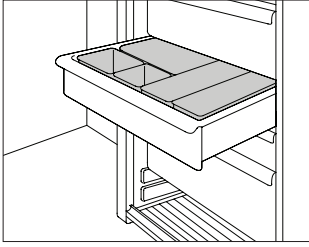
C0540FF	\$67
C0541FF	\$71
C0542FF	\$71
C0543FF	\$67
C0544FF	\$67
C0545FF	\$67

Step 3. Surface Finish

LU soft white	+\$0
----------------------	------

B-Size Drawer Organizer Kit

CO546
CO547



Co/Struc® Storage

Product Information

Description

This kit fits inside a B-size drawer (without lid) or C-size drawer and has 2 combinations of subcontainers and subcontainer dividers.

The B-size subcontainer is 5³/₁₆" high. Width and depth dimensions are:

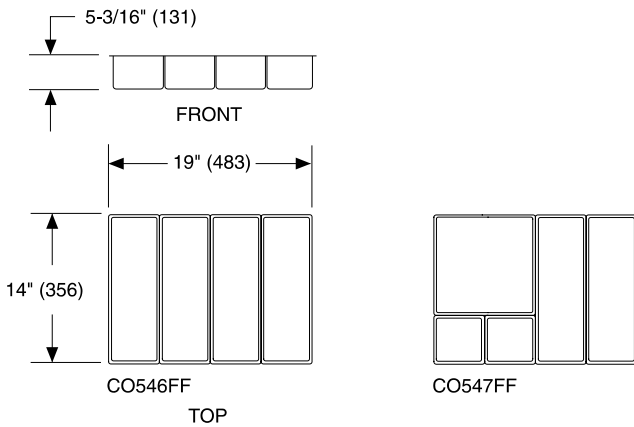
Type—Width—Depth

B-1—4⁹/₁₆"—4⁹/₁₆"

B-3—4⁹/₁₆"—13¹³/₁₆"

B-5—9³/₁₆"—9³/₁₆"

Dimensions



Specification Information

Step 1.

CO54

Step 2. Components

6FF 4 b-3 subcontainers, 4 b-3 dividers

7FF 2 b-1 subcontainers, 2 b-3 subcontainers, 1 b-5 subcontainer, 4 b-3 dividers

Prices for Steps 1-2.

CO546FF \$82

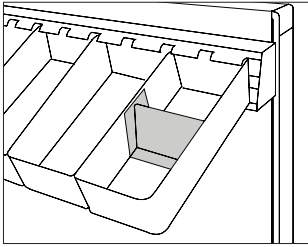
CO547FF \$82

Step 3. Surface Finish

LU soft white +\$0

Subcontainer Divider

C0378
C0379
C0380



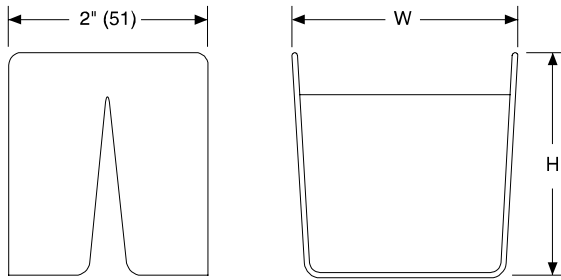
Product Information

Description

This divider fits into subcontainers to separate and organize stored items. A divider can be adjusted by sliding it to the desired position. The divider is not available for A-5 and B-5 subcontainers. Package contains 12.

The divider for an A-8 subcontainer is $1\frac{5}{8}$ " high and $2\frac{1}{8}$ " wide; the divider for an A-1, A-2, A-3, or A-4 subcontainer is $1\frac{5}{8}$ " high and $4\frac{1}{4}$ " wide; and the divider for a B-1 or B-3 subcontainer is 4" high and $4\frac{1}{4}$ " wide.

Dimensions



SIDE

FRONT

Specification Information

Step 1.

C03

Step 2. Usage

78FF for a-8 subcontainer

79FF for a-1, a-2, a-3, or a-4 subcontainers

80FF for b-1 or b-3 subcontainers

Prices for Steps 1-2.

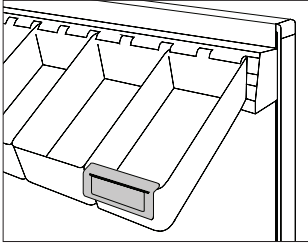
C0378FF	\$68
C0379FF	\$68
C0380FF	\$70

Step 3. Surface Finish

LU	soft white	+\$0
-----------	------------	------

Subcontainer Handle

C0376
C0377



Co/Struc® Storage

Product Information

Description
This snap-on handle has a surface for identification labels in a picking station. It also can convert a small or large subcontainer into a drawer when used on the flat surface of a C tray. The handle cannot be used with a subcontainer in an A-size drawer. Package contains 12.

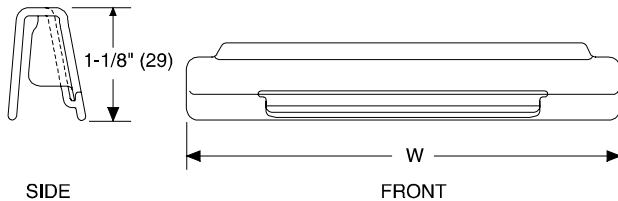
Notes

Handle accepts following label:

- 2 1/8"-wide handle: 3/4" x 1" gummed label
- 4 1/2"-wide handle: 3/4" x 3" drop-in label

For 4 1/2"-wide handle, order label (CO459) separately.

Dimensions



Specification Information

Step 1.

C037

Step 2. Width

6FF 2 1/8" wide

7FF 4 1/2" wide

Prices for Steps 1-2.

C0376FF \$35

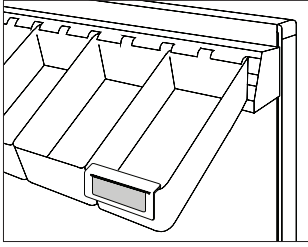
C0377FF \$44

Step 3. Surface Finish

LU soft white +\$0

Subcontainer Handle Label

C0459



Product Information

Description

This label slides into a 4¹/₂"-wide subcontainer handle. Package contains 100 cards with 10 perforated labels per card (1000 labels total).

Specification Information

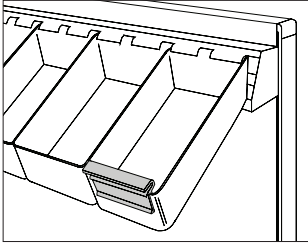
Step 1.

C0459

\$29

Subcontainer Label Flag

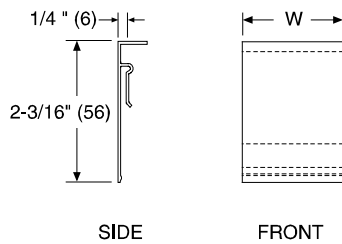
C0381
C0382



Product Information

Description
This flag snaps onto subcontainers that are hung from a dispensing rail. It provides a visible surface for identification labels. Package contains 12.
The flag for an A-8 subcontainer is 1 1/4" wide; the flag for an A-3 or B-3 subcontainer is 3 1/2" wide.

Dimensions



Specification Information

Step 1.

C038

Step 2. Usage

- 1FF** for a-8 subcontainer
- 2FF** for a-3 or b-3 subcontainer

Prices for Steps 1-2.

C0381FF	\$100
C0382FF	\$111

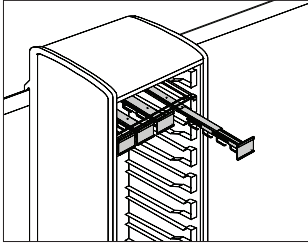
Step 3. Surface Finish

LU soft white	+ \$0
----------------------	-------

Co/Struc® Storage

Pullout Catheter Rack

C0469.

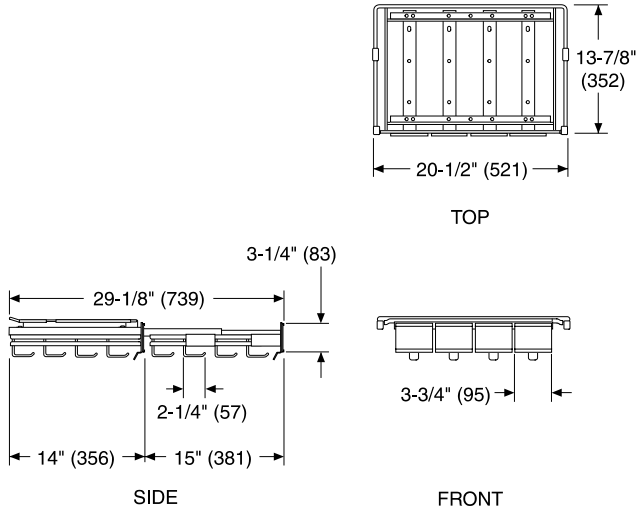


Product Information

Description

This 20"-wide, powder-coated wire rack fits into the slots of a locker to organize catheters. It is available with 3 or 4 independent, pullout slides. Each pullout slide has 4 prongs, 4 side label clips, and 1 front label holder. Each prong holds up to 10 catheters. Finish is soft white.

Dimensions



Specification Information

Step 1.

C0469.20

Step 2. Slides

- 03** 3 slides
- 04** 4 slides

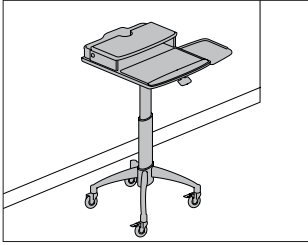
Prices for Steps 1-2.

C0469.20 03	\$732
04	\$815

Co/Struc® Storage

Laptop Cart

CO600.

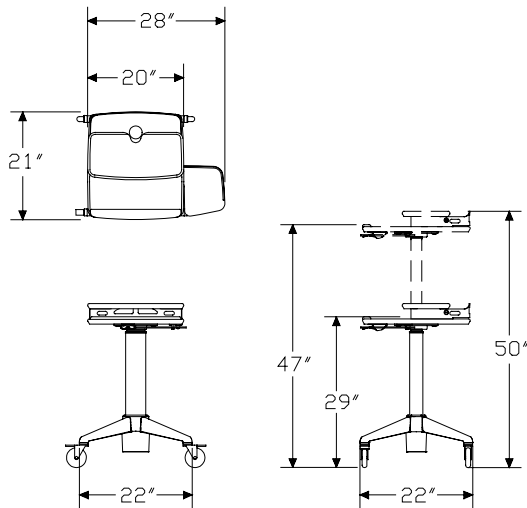


Product Information

Description

This height-adjustable laptop cart delivers point-of-care technology and holds a 17" laptop. The surface provides security by locking a laptop into place during use. The cart holds a maximum of 30 pounds and has 4"-high casters; 2 locking and 2 nonlocking. It has an 18" height-adjustment range and is adjusted with a paddle on the front of the surface. The cart includes a swivel mouse tray. Shipped fully assembled. The surface is Cloud Surf laminate; the base finish is polished aluminum.

Dimensions



Specification Information

Step 1.

CO600.

Step 2. Power Option

- N** no power strip
- P** power strip

Step 3. Bar Code Scanner Holder

- N** no bar code scanner holder
- B** bar code scanner holder

Step 4. Utility Basket

- N** no utility basket
- U** utility basket

Step 5. Drawer

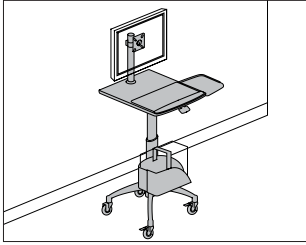
- N** no drawer
- D** drawer

Prices for Steps 1-5.

		NN	ND	UN	UD
CO600.	N N	\$2662	3043	2864	3245
	B	\$2764	3144	2966	3345
	P N	\$3000	3379	3202	3581
	B	\$3101	3480	3303	3682

Flat Panel Cart

CO601.



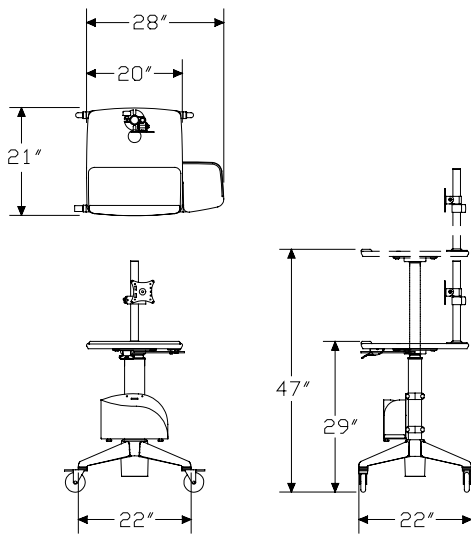
Product Information

Description

This height-adjustable cart delivers point-of-care technology. It holds a flat panel monitor arm and includes a 10"-wide column-mounted CPU holder with straps. The arm meets VESA standards (Video Electronic Standards Association - Mounting Interface Standards). The cart holds a maximum of 30 pounds and has 4"-high casters; 2 locking and 2 nonlocking. It has an 18" height-adjustment range and is adjusted with a paddle on the front of the surface. The cart includes a swivel mouse tray and 2 plates: 75mm and 100mm. Shipped fully assembled.

The surface is Cloud Surf laminate; the base finish is polished aluminum; and the CPU holder is black.

Dimensions



Specification Information

Step 1.

CO601.

Step 2. Power Option

- N** no power strip
- P** power strip

Step 3. Bar Code Scanner Holder

- N** no bar code scanner holder
- B** bar code scanner holder

Step 4. Utility Basket

- N** no utility basket
- U** utility basket

Step 5. Drawer

- N** no drawer
- D** drawer

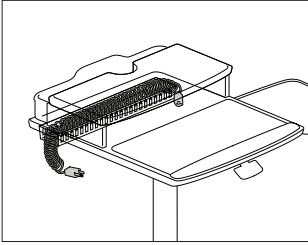
Prices for Steps 1-5.

		NN	ND	UN	UD
CO601.	N N	\$2662	3043	2864	3245
	B	\$2764	3144	2966	3345
	P N	\$3000	3379	3202	3581
	B	\$3101	3480	3303	3682

Co/Struc® Transport

Coiled Power Cord

CO602.



Product Information

Description

This hospital-grade power cord has a 1.5' coiled cord that extends to 7.5'. Finish is black.

Dimensions

Specification Information

Step 1.

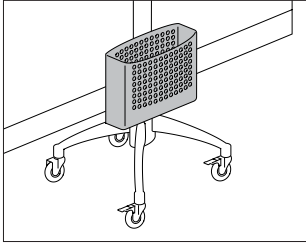
CO602.

\$174



Utility Basket

CO605.

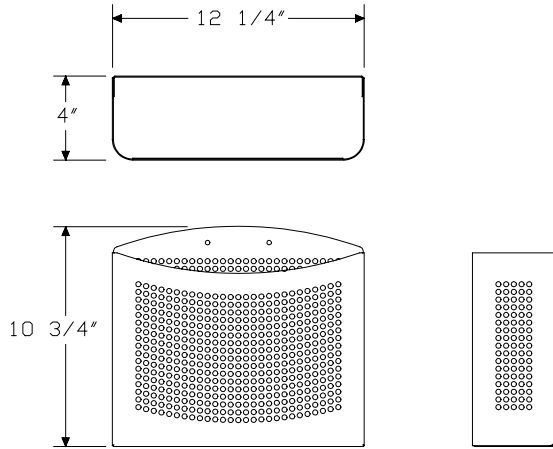


Product Information

Description

This perforated basket attaches to the column of a laptop or flat-panel cart and holds a utility basket. It can be used to hold charts, paper products, and other supplies. Finish is black.

Dimensions



Specification Information

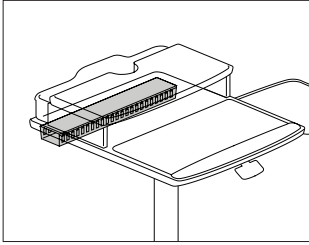
Step 1.

CO605.

\$224

Cable Manager

CO608.



Product Information

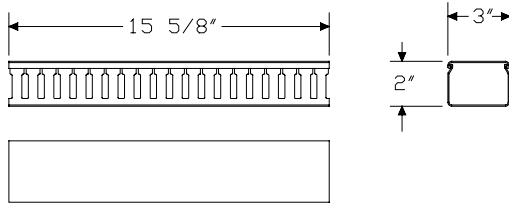
Description

This holder attaches to the surface of a laptop or flat-panel cart. It manages cables and wires and includes reusable cable ties. Finish is black.

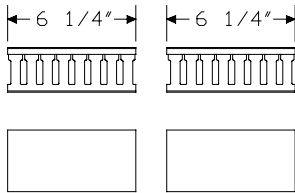
Notes

Laptop-cart cable manager has 1 solid holder. Flat-panel-cart cable manager has 2 pieces that attach to each side of the flat-screen arm holder and go down through the work surface.

Dimensions



01



02

Specification Information

Step 1.

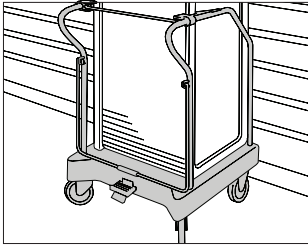
CO608.

Step 2. Usage

- 01** for laptop cart
- 02** for flat panel cart

Prices for Steps 1-2.

CO608. 01	\$162
02	\$162



Product Information

Description

This cart is used to maneuver and transport lockers. It has a foot-activated lever that lifts a locker from a rail to a cart or from a cart to a rail. The cart also has a towing handle and a train connector for linking multiple carts. A maximum of 3 carts can be linked when pulled manually; a maximum of 7 carts can be linked when pulled with a tug. Shipped knocked down.

Specification Information

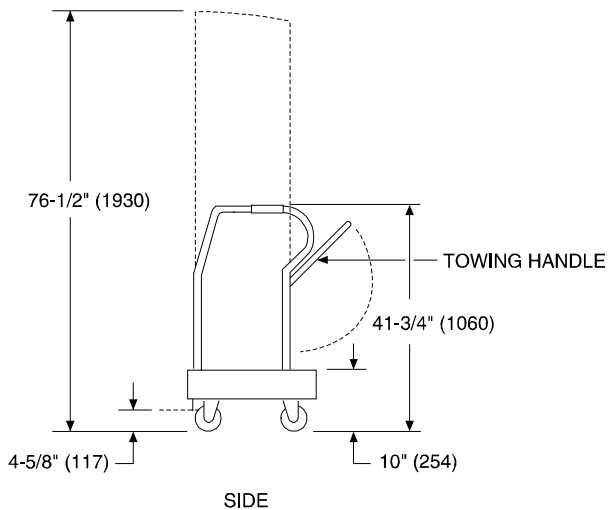
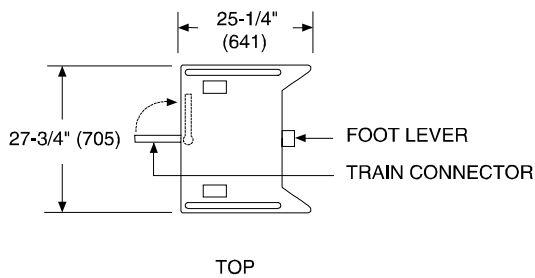
Step 1.

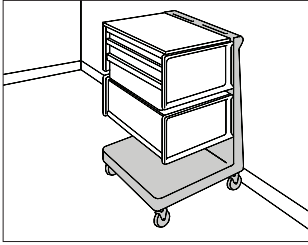
CO342FF \$2103

Step 2. Surface Finish

HF inner tone light +\$0

Dimensions





Product Information

Description

This mobile cart has a platform, 4 rail profiles for hanging frames, and 4 casters (2 swivel and 2 swivel with brake) that are 4³/₄" hard-rubber zinc.

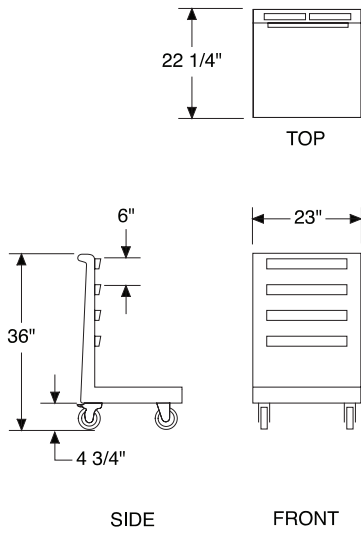
Notes

To hang drawer or shelf storage components, order C frame (CO205) separately.

Order optional components separately:

- Breakaway lock assembly (CO473)

Dimensions



Specification Information

Step 1.

CO212

Step 2. Application

FF standard

Prices for Steps 1-2.

CO212 FF \$722

Step 3. Surface Finish

HF	inner tone light	+\$0
LT	light tone	+\$0
LU	soft white	+\$0
WN	warm grey neutral	+\$0

Co/Struc® Transport

Index by Product Name

Co/Struc® System	
	page(s)
2-Way 90° Corner Connector	32
2-Way Module Corner Connector	48
3-Way 90° Corner Connector	33
3-Way Module Corner Connector	49
Access Panel Assembly	58
Adapter Rail	7
ADA Sink Support, Systems Mounted	118
Add-On Shelf, Shelf Unit	140
Add-On Shelf with Lip	152
Adjustable Work Table Base	105
Anchor Support Kit	51
A-Size Drawer Organizer Kit	215
Backsplash Filler	86
Basic Work Table Base	100
Bottle Drawer Divider	130
Breakaway Lock Assembly	206
B-Size Drawer Organizer Kit	216
B-Style Rail-Hanging Shelf	148
B-Style Shelf	149
B-Style Shelf with Sloped Top	151
Cabinet Floor	179
Cable Manager	226
Cassette Assembly	208
Cassette Bin	210
Cassette Cover	209
Ceiling Entry Support Panel	27
Center Closure Panel	67
C Frame	180
C Frame Support	83
Clear Lid	203
C Lid	182
Coiled Power Cord	224
Combination Access Panel Assembly	60
Component Adapter Kit	84
Counter Top	181
CS Tray/Shelf	178
C Tray/Shelf	183
C Wire Shelf	185
Diplomat Panel	45
Dispensing Rail	211
Distal Tube Bracket	176
Drawer	190
Drawer Bearer Package	204
Drawer Caddy with Casters	187
Drawer with Lockable Lid	193
Draw Rod, Seismic	13

End Cap for Standard or Seismic Rail	10
End Closure Assembly	65
End Closure Panel	64
Endoscope Bracket	175
Endoscopy/Catheter Cabinet	173
Equipment Rail, Systems Mounted	9
Equipment Rail, Wall Mounted	8
Filler Extrusion	57
Flat Panel Cart	223
Flat Panel Mount	115
Floor Anchor Adapter Kit	17
Floor Anchor Bracket, Action Office® Series 1	15
Floor Anchor Bracket, Action Office® Series 2	16
Floor Anchor Bracket, Co/Struc® Lab Module	14
Floor Entry Support Panel	25
Frame Stiffener, Ethospace® Top Cap	19
Gripper Package	186
Heavy-Duty Corner Work Surface	88
Heavy-Duty Corner Work Surface, Action Office® Series 1 or 2 90° Corner Connector	90
Heavy-Duty Work Surface	76
Interface Connector	34
Interior Filler	122
Interior Shelf	53
Interior Shelf and Support Kit	55
Label Clip	207
Laptop Cart	222
L Cart	228
Light Bracket	143
Lockable Drawer Bearer	205, 123
Locked Drawer with Lid	196
Locked Drawer with Lockable Lid	199
Locker	159
Locker Hinged Door	167
Locker Lock Kit	169
Locker Lock Kit, Keyless	171
Locker on Wheel Base	165
Locker on Wheel Base, with Hinged Door	163
Locker on Wheel Base, with Tambour Door	160
Locker Tambour Door	166
Locker, with Hinged Door	157
Locker, with Tambour Door	154
Low Cup Sink Access Panel Assembly	62
Low Module	39
Low Module Terminal Panel	42
Marker Board	114
Mid-Run Support, Double Sided	37

Index by Product Name *continued*

Index: Product Name

Mid-Run Support, Single Sided	36	Subcontainer	213
Module Support Leg	50	Subcontainer Divider	217
Module Wall Start	47	Subcontainer Handle	218
Open Support Panel	21	Subcontainer Handle Label	219
Panel Connector	35	Subcontainer Label Flag	220
Panel Stiffener, Action Office® Series 1 or Series 2 Top Cap	18	Subdivider Vane	184
Panel Wall Start	31	Support Panel	23
Pass-Through Cover	82	Support Panel Top Cap	38
Pass-Through Module	40	Terminal Panel	29
Pass-Through Module Terminal Panel	43	Top Shelf	52
Power Strip	113	TR3 Cart	227
Process Table, Electric Height Adjustment	98	Utility Basket	225
Pullout Catheter Rack	221	Vertical Chase Cover	46
Rail-Hanging Work Surface	81	Wall Anchor Bracket	12
Rail Hardware	6	Wall Rail, Seismic	11
Reagent Shelf	99	Wall Strip Cover	20
Riser Frame Divider	111	Wire Chase Overlay	73
Riser Frame End Cover	112	Wire Chase Rail	68
Shelf Backsplash	56	Wire Chase Rail, 90° Inside Corner	69
Shelf End Cap	54	Wire Chase Rail Bridge	70
Shelf Label Clip	153, 141	Wire Chase Rail Cover	72
Shelf Support Kit	177	Wire Chase Rail End Cap	71
Shelf Unit	135	Workstation, Electric Height Adjustment	92
Shelf Unit, 90° Corner	139	Workstation, Manual Height Adjustment	94
Shelf Unit Back Panel	142	Work Surface Backsplash	85
Shelf Unit, Diagonal Corner	137	Work Surface Sidesplash, Resin	87
Shelf Unit Door	144	Work Surface Support	79
Shelf Unit Double Doors	145	Work Table, Electric Height Adjustment	96
Shelf Unit Wall Attachment Panel	147	Work Table Reagent Shelf	110
Sink Module	116	Work Table Surface, Rectangular	107
Sink Unit for Storage	117		
Sloped Shelf Unit Top	146		
Standard-Duty Work Surface	74		
Standard Rail	5		
Standard Work Table Base	102		
Storage Case	124		
Storage Case Bottle Drawer	129		
Storage Case Door	131		
Storage Case Drawer	127		
Storage Case Leg	132		
Storage Case Pullout Shelf	126		
Storage Case Rail, Corner	133		
Storage Case Shelf	125		
Storage Unit	119		
Storage Unit Door	121		
Storage Unit Shelf	120		
Storage Unit with Sliding Doors	134		

Index by Product Number

C460G. Basic Work Table Base	page(s) 100	C1451. End Closure Assembly	65
C461G. Standard Work Table Base	102	C1452.	
C462C. Adjustable Work Table Base	105	C1455. Center Closure Panel	67
C462G.		C1460. Vertical Chase Cover	46
C1112. Low Module	39	C1510. Shelf End Cap	54
C1114. Pass-Through Module	40	C1510. Top Shelf	52
C1122. Low Module Terminal Panel	42	C1511. Interior Shelf	53
C1122. Pass-Through Module Terminal Panel	43	C1511. Shelf End Cap	54
C1124.		C1515. Interior Shelf and Support Kit	55
C1146. Diplomat Panel	45	C1520. Shelf Backsplash	56
C1150. Open Support Panel	21	C1530. Filler Extrusion	57
C1151. Support Panel	23	C1531.	
C1155. Floor Entry Support Panel	25	C1610. Adapter Rail	7
C1156. Ceiling Entry Support Panel	27	C1611. Storage Case Rail, Corner	133
C1161. Terminal Panel	29	C2140. Work Surface Support	79
C1170. Equipment Rail, Wall Mounted	8	C2141. Heavy-Duty Work Surface	76
C1172. Equipment Rail, Systems Mounted	9	C2142. Standard-Duty Work Surface	74
C1211. Panel Wall Start	31	C2192. C Frame Support	83
C1212. Module Wall Start	47	C2193. Component Adapter Kit	84
C1220. 2-Way Module Corner Connector	48	C2215. Heavy-Duty Corner Work Surface	88
C1221. 2-Way 90° Corner Connector	32	C2216. Heavy-Duty Corner Work Surface, Action Office® Series 1 or 2	
C1230. 3-Way Module Corner Connector	49	90° Corner Connector	90
C1231. 3-Way 90° Corner Connector	33	C2399. Pass-Through Cover	82
C1261. Interface Connector	34	C2410. Rail-Hanging Work Surface	81
C1272. Mid-Run Support, Single Sided	36	C2512. Sink Module	116
C1273. Mid-Run Support, Double Sided	37	C2513. Sink Unit for Storage	117
C1274. Support Panel Top Cap	38	C2520. ADA Sink Support, Systems Mounted	118
C1275. Module Support Leg	50	C2910. Work Surface Backsplash	85
C1276. Anchor Support Kit	51	C2920. Backsplash Filler	86
C1281. Panel Connector	35	C2930. Work Surface Sidesplash, Resin	87
C1313. Wire Chase Rail	68	C3011. B-Style Shelf	149
C1314.		C3019. Add-On Shelf with Lip	152
C1315. Wire Chase Rail Cover	72	C3091. B-Style Shelf with Sloped Top	151
C1316.		C4310. Workstation, Electric Height Adjustment	92
C1317.		C4311. Workstation, Manual Height Adjustment	94
C1318.		C4312. Work Table, Electric Height Adjustment	96
C1321. Wire Chase Rail, 90° Inside Corner	69	C4313. Process Table, Electric Height Adjustment	98
C1322.		C4320. Riser Frame Divider	111
C1326. Wire Chase Rail Bridge	70	C4321. Riser Frame End Cover	112
C1327.		C4322. Power Strip	113
C1331. Wire Chase Rail End Cap	71	C4323. Marker Board	114
C1332.		C4324. Flat Panel Mount	115
C1358. Wire Chase Overlay	73	C4326. Reagent Shelf	99
C1412. Access Panel Assembly	58	C4327.	
C1422. Combination Access Panel Assembly	60	C4700. Work Table Surface, Rectangular	107
C1432. Low Cup Sink Access Panel Assembly	62	C4900. Work Table Reagent Shelf	110
C1450. End Closure Panel	64	C5009. Interior Filler	122

Index by Product Number *continued*

Index: Product Number

C5010. Storage Unit	119	C0242 Subdivider Vane	184
C5014. Storage Unit with Sliding Doors	134	C0252 C Wire Shelf	185
C5015. Storage Unit Shelf	120	C0266 Gripper Package	186
C5016. Storage Unit Door	121	C0274 Label Clip	207
C5017.		C0277 Locker Lock Kit	169
C5020. Shelf Unit	135	C0279 Locker Lock Kit, Keyless	171
C5021.		C0282 Standard Rail	5
C5022. Shelf Unit, Diagonal Corner	137	C0284 Rail Hardware	6
C5023.		C0285	
C5024. Shelf Unit, 90° Corner	139	C0290 Locker Hinged Door	167
C5025. Add-On Shelf, Shelf Unit	140	C0338 End Cap for Standard or Seismic Rail	10
C5026. Shelf Unit Back Panel	142	C0342 TR ₃ Cart	227
C5027. Shelf Unit Door	144	C0365 Dispensing Rail	211
C5028.		C0366	
C5032. Shelf Unit Double Doors	145	C0367	
C5036. Shelf Unit Wall Attachment Panel	147	C0368	
C5040. Storage Case	124	C0369 Subcontainer	213
C5041. Storage Case Shelf	125	C0370 Drawer with Lockable Lid	193
C5042. Storage Case Pullout Shelf	126	C0371 Locked Drawer with Lockable Lid	199
C5043. Storage Case Drawer	127	C0372 Drawer with Lockable Lid	193
C5044.		C0373 Locked Drawer with Lockable Lid	199
C5045. Storage Case Bottle Drawer	129	C0374 Drawer with Lockable Lid	193
C5048. Lockable Drawer Bearer	123	C0375 Locked Drawer with Lockable Lid	199
C5049. Bottle Drawer Divider	130	C0376 Subcontainer Handle	218
C5050. Storage Case Leg	132	C0377	
C5051. Light Bracket	143	C0378 Subcontainer Divider	217
C5052. Storage Case Door	131	C0379	
C5053.		C0380	
CO201 C Lid	182	C0381 Subcontainer Label Flag	220
CO203 C Tray/Shelf	183	C0382	
CO204 CS Tray/Shelf	178	C0396 Lockable Drawer Bearer	205
CO205 C Frame	180	C0397. Sloped Shelf Unit Top	146
CO207 Drawer	190	C0398 Shelf Label Clip	153, 141
CO208		CO459 Subcontainer Handle Label	219
CO209		CO462 Label Clip	207
CO212 L Cart	228	CO469. Pullout Catheter Rack	221
CO215. Draw Rod, Seismic	13	CO473 Breakaway Lock Assembly	206
CO219 Locker Tambour Door	166	CO479 Wall Rail, Seismic	11
CO228 Drawer Bearer Package	204	CO481 Floor Anchor Bracket, Action Office® Series 1	15
CO231 Subcontainer	213	CO485 Floor Anchor Bracket, Action Office® Series 2	16
CO232		CO487. Wall Strip Cover	20
CO233		CO508. Clear Lid	203
CO234		CO521. B-Style Rail-Hanging Shelf	148
CO235		CO540 A-Size Drawer Organizer Kit	215
CO236		CO541	
CO238		CO542	
CO240		CO543	

Index by Product Number *continued*

C0544		
C0545		
C0546	B-Size Drawer Organizer Kit	216
C0547		
C0549	Locked Drawer with Lid	196
C0550		
C0551		
C0552	Floor Anchor Adapter Kit	17
C0553	Panel Stiffener, Action Office® Series 1 or Series 2 Top Cap	18
C0554	Frame Stiffener, Ethospace® Top Cap	19
C0555	Counter Top	181
C0556		
C0561	Locker, with Tambour Door	154
C0562	Locker	159
C0563	Locker on Wheel Base	165
C0564	Locker on Wheel Base, with Tambour Door	160
C0565	Cassette Assembly	208
C0566	Cassette Cover	209
C0567	Cassette Bin	210
C0568	Floor Anchor Bracket, Co/Struc® Lab Module	14
C0569	Wall Anchor Bracket	12
C0570	Locker, with Hinged Door	157
C0574	Locker on Wheel Base, with Hinged Door	163
C0600	Laptop Cart	222
C0601	Flat Panel Cart	223
C0602	Coiled Power Cord	224
C0605	Utility Basket	225
C0608	Cable Manager	226
C0692	Drawer Caddy with Casters	187
C0693		
CV300	Endoscopy/Catheter Cabinet	173
CV310	Endoscope Bracket	175
CV311	Distal Tube Bracket	176
CV314	Cabinet Floor	179
CV317	Shelf Support Kit	177



20-Day or Less/Assigned Lead-Time Order Information – Healthcare

20-Day or Less/Assigned Lead-Time Programs

20-day or less and assigned lead-time products are designed for established Herman Miller dealers with pre-approved credit.

Products are distributed from multiple manufacturing facilities across the United States. All products and options not designated by an Assigned Lead-Time icon **A** will ship in 20 business days or less after being acknowledged by Herman Miller. Products and options designated by an **A** are on the assigned lead-time program and will ship in 20 days, less than 20 days, or more than 20 days from order acknowledgement.

Ordering Procedure

Please place orders through Order Manager. If this is not available to you, place orders through mail or fax. Verbal purchase orders will not be accepted.

Order Entry fax number: (616) 654 3085.

For more information, contact your Customer Care representative at:
(866) 854 3048 EXT 3400

Shipments and Delivery

Per Herman Miller Terms and Conditions.

Changes and Cancellation

Per Herman Miller Terms and Conditions.



Packaging/Keyed-Alike Information – Co/Struc® System

Packaging

Packaging varies according to individual product. A surcharge may be added for special packaging requests. Contact Customer Care for specific information.

Keyed-Alike Locks

All components with locks may be specified keyed alike.

Keyed-alike Co/Struc® components with a “CO” or “CV” prefix will be shipped with lock plugs installed. Mobile Technology Support products (CO600, CO601, and CO606) cannot be ordered keyed alike.

Keyed-alike Co/Struc components with a “C” prefix will be shipped with lock chassis installed. Lock plugs will be shipped separately, tagged for product and location as specified. Installation of lock plugs will be on-site according to instructions provided. Herman Miller, Inc., will not be responsible for lock plug installation.

To order keyed-alike locks for “C” prefix components, specify keyed alike. Then place a separate order for plugs and locks:

1. List plug part number and key number (232092-XXX); select a key number (or numbers) between 226 and 324.
2. List quantity of locks per key number.
3. Indicate this is a no charge order.

Keyed-alike locks are field installed.

A Medeco master key can be used to open any lock on Co/Struc components with a “CO” or “CV” prefix, except for Mobile Technology Support products CO600, CO601, and CO606. Customers interested in ordering master keys should contact Customer Care with a written request. To remove lock plugs from existing components, loosen the hex nut inside the product and remove the plug. These locks are available in key numbers 01 through 99. To remove lock plugs from locker with electronic lock, remove the cover from the e-lock mounting plate (be careful not to separate battery wires from unit). Next, loosen the hex nut inside the cover and remove the plug.

A Hudson master key can be used to open any lock on Co/Struc components with a “C” prefix. To remove lock plugs from existing components, a removal key or lock change tool is required. Customers interested in ordering master keys, removal keys, or lock change tools should contact Customer Care with a written request. Locks for “C” prefix components are available in key numbers 226 through 324 but are ordered as key numbers 01 through 99. Use the following chart to cross-reference the number selection.

“C” lock order numbers	Actual “C” lock plug numbers
1	226
2	227
3	228
4	229
5	230
6	231
7	232
8	233
9	234
10	235
11	236
12	237
13	238
14	239
15	240
16	241
17	242
18	243
19	244
20	245
21	246
22	247
23	248
24	249
25	250
26	251
27	252
28	253
29	254
30	255
31	256
32	257
33	258
34	259
35	260
36	261
37	262
38	263
39	264
40	265
41	266
42	267
43	268
44	269
45	270
46	271
47	272
48	273
49	274
50	275

“C” lock order numbers	Actual “C” lock plug numbers
51	276
52	277
53	278
54	279
55	280
56	281
57	282
58	283
59	284
60	285
61	286
62	287
63	288
64	289
65	290
66	291
67	292
68	293
69	294
70	295
71	296
72	297
73	298
74	299
75	300
76	301
77	302
78	303
79	304
80	305
81	306
82	307
83	308
84	309
85	310
86	311
87	312
88	313
89	314
90	315
91	316
92	317
93	318
94	319
95	320
96	321
97	322
98	323
99	324

For more information about our products and services or to see a list of dealers, please visit us at HermanMiller.com or call (800) 851 1196.

© 2018 Herman Miller, Inc., Zeeland, Michigan

® **HermanMiller**, ●, Action Office, Aeron, Aside, Avive, Canvas Office Landscape, Caper, Celle, Co/Struc, Eames, Embody, Equa 2, Ergon 3, Ethospace, Exclave, Fine-Tune, FlexFront, Formcoat, Ground Cloth, Herman Miller Healthcare, Layout Studio, Maharam, Meridian, Mirra, Passage, Pellicle, Perspectives, PostureFit, Resolve, Sayl, Setu, Thrive, Tu, Y-Tower, and Z-Axis are among the registered trademarks of Herman Miller, Inc., and its owned subsidiaries.

™ AireWeave, Bubbletack, Cellular Suspension, Compass, Connect, DOT, Durawrap, Everywhere, Flex-Edge, Hopsak 2, Intent, Iota, Keyless Entry, Latitude, Lyris 2, Mora, Motia, Multiscrim, Nelson, Renew, Stackable, Swoop, TriFlex, Twist, and Verus are among the trademarks of Herman Miller, Inc., and its owned subsidiaries.

®Chemsurf® is a registered trademark of Wilsonart International.

Corian® is a registered trademark of E.I. du Pont de Nemours and Company Corporation.

FLEXNET™ is a trademark of Milliken & Company.

Floor Saver Glide® is a registered trademark of Carpin Manufacturing, Inc.

Geiger® is a registered trademark of Geiger International.

Microsoft® and Natural® Keyboard are registered trademarks of Microsoft Corporation.

Place Textiles® is a registered trademark of Place Textiles.